

OPERATOR'S MANUAL

MODEL #3500 E2 DF (EU/SC)
7500 E2 DF (EU/SC)
DUAL FUEL FRAME TYPE GENERATORS



ENGLISH

SVENSKA

DEUTSCH

NORSK

FRANÇAIS



SAVE THESE INSTRUCTIONS. This manual contains important safety precautions which should be read and understood before operating the product. Failure to do so could result in serious injury. This manual should remain with the product. Specifications, descriptions and illustrations in this manual are as accurate as known at the time of publication, but are subject to change without notice.

INTRODUCTION

Introduction

Congratulations on purchasing your generator. Please follow these instructions and maintain it correctly.

Portable Power Generator

This unit is a petrol engine driven AC generator used for supply electrical power.

Accessories

CPE manufactures and supplies a series of accessories. See local dealer for more information.

This Booklet

We reserve the right to change, alter or improve the product and this manual without prior notice.

Record the model and serial numbers as well as date and place of purchase for future reference. Have this information available when ordering parts and when making technical or warranty inquiries.

Champion Power Equipment Support	
Model Number	
Serial Number	
Date of Purchase	
Purchase Location	
For Oil Type see 'Add Engine Oil' section. For Fuel Type see 'Add Fuel' section.	

Please familiarize yourself with the following symbols. The safety symbol and key words are safety warnings. Follow all safety messages to avoid accidents or injury.

DANGER

DANGER indicates an imminently hazardous situation which, if not avoided, **will** result in death or serious injury.

WARNING

WARNING indicates a potentially hazardous situation which, if not avoided, **could** result in death or serious injury.

CAUTION

CAUTION indicates a potentially hazardous situation which, if not avoided, **may** result in minor or moderate injury.

CAUTION

CAUTION used without the safety alert symbol indicates a potentially hazardous situation which, if not avoided, **may** result in property damage.

SAFETY RULES

WARNING

Read this manual thoroughly before operating your generator. Failure to follow instructions could result in serious injury or death.

WARNING

The engine exhaust from this product contains chemicals that are known to cause serious health problems and even death.

DANGER

Generator exhaust contains carbon monoxide, a colourless, odourless, poison gas. Breathing carbon monoxide will cause nausea, dizziness, fainting or death. If you start to feel dizzy or weak, get to fresh air immediately.

Operate generator outdoors only in a well ventilated area.

DO NOT operate the generator inside any building, including garages, basements, crawlspaces and sheds, enclosure or compartment, including the generator compartment of a recreational vehicle. DO NOT allow exhaust fumes to enter a confined area through windows, doors, vents or other openings.

DANGER CARBON MONOXIDE: using a generator indoors **CAN KILL YOU IN MINUTES.**

DANGER

Rotating parts can entangle hands, feet, hair, clothing and/or accessories.
Traumatic amputation or severe laceration can result.

Keep hands and feet away from rotating parts.
Tie up long hair and remove jewelry.
Operate equipment with guards in place.
DO NOT wear loose-fitting clothing, dangling drawstrings or items that could become caught.

DANGER

Generator produces powerful voltage.

DO NOT touch bare wires or receptacles.
DO NOT use electrical cords that are worn, damaged or frayed.

DO NOT operate generator in wet weather.
DO NOT allow children or unqualified persons to operate or service the generator

Use a ground fault circuit interrupter (GFCI) in damp areas and areas containing conductive material such as metal decking.

Use approved transfer equipment to isolate generator from your electric utility and Notify your utility company before connecting your generator to your power system.

WARNING

Sparks can result in fire or electrical shock.

When servicing the generator:

Disconnect the spark plug wire and place it where it cannot contact the plug.
DO NOT check for spark with the plug removed.
Use only approved spark plug testers.

WARNING

Running engines produce heat. Severe burns can occur on contact.
Combustible material can catch fire on contact.

DO NOT touch hot surfaces.
Avoid contact with hot exhaust gases.
Allow equipment to cool before touching.
Maintain at least 91.4 cm (3 ft.) of clearance on all sides to ensure adequate cooling.
Maintain at least 1.5 m (5 ft.) of clearance from combustible materials.

WARNING

Rapid retraction of the starter cord will pull hand and arm towards the engine faster than you can let go. Unintentional startup can result in entanglement, traumatic amputation or laceration.

Broken bones, fractures, bruises or sprains could result.

When starting engine, pull the starter cord slowly until resistance is felt and then pull rapidly to avoid kickback.

DO NOT start or stop the engine with electrical devices plugged in.

CAUTION

Exceeding the generator's running capacity can damage the generator and/or electrical devices connected to it.

DO NOT overload the generator.

Start the generator and allow the engine to stabilize before connecting electrical loads.

Connect electrical equipment in the off position, and then turn them on for operation.

Turn electrical equipment off and disconnect before stopping the generator.

DO NOT tamper with the governed speed.

DO NOT modify the generator in any way.

CAUTION

Improper treatment or use of the generator can damage it, shorten its life and void your warranty.

Use the generator only for intended uses.

Operate only on level surfaces.

DO NOT expose generator to excessive moisture, dust, or dirt.

DO NOT allow any material to block the cooling slots.

If connected devices overheat, turn them off and disconnect them from the generator.

DO NOT use the generator if:

- Electrical output is lost
- Equipment sparks, smokes or emits flames
- Equipment vibrates excessively

WARNING

Operation of this equipment may create sparks that can start fires around dry vegetation.

A spark arrestor may be required. The operator should contact local fire agencies for laws or regulations relating to fire prevention requirements.

WARNING

Medical and Life Support Uses.

In an emergency, call Emergency Services immediately. NEVER use this product to power life support devices or life support appliances.

NEVER use this product to power medical devices or medical appliances.

Inform your electricity provider immediately if you or anyone in your household depends on electrical equipment to live.

Inform your electrical provider immediately if a loss of power would cause you or anyone in your household to experience a medical emergency.

SAFETY RULES

Fuel Safety

DANGER

PETROL, PETROL VAPOURS AND LIQUID PETROLEUM GAS (LPG) ARE HIGHLY FLAMMABLE AND EXPLOSIVE.

Fire or explosion can cause severe burns or death. Unintentional startup can result in entanglement, traumatic amputation or laceration.

Petrol and Petrol Vapours:

- PETROL IS HIGHLY FLAMMABLE AND EXPLOSIVE.
- Petrol can cause a fire or explosion if ignited.
- Petrol is a liquid fuel but it's vapours can ignite.
- Petrol is a skin irritant and needs to be cleaned up immediately if spilled on skin or clothes.
- Petrol has a distinctive odour, this will help detect potential leaks quickly.
- In any petrol fire, flames should not be extinguished unless by doing so the fuel supply valve can be turned OFF. This is because if a fire is extinguished and a supply of fuel is not turned OFF, then an explosion hazard could be created.
- Petrol expands or contracts with ambient temperatures. Never fill the petrol tank to full capacity, as petrol needs room to expand if temperatures rise.

Liquefied Petroleum Gas (LPG):

- LPG IS HIGHLY FLAMMABLE AND EXPLOSIVE.
- Flammable gas under pressure can cause a fire or explosion if ignited.
- LPG is heavier than air and can settle in low places while dissipating.
- LPG has a distinctive odour added to help detect potential leaks quickly.
- In any petroleum gas fire, flames should not be extinguished unless by doing so the fuel supply valve can be turned OFF. This is because if a fire is extinguished and a supply of fuel is not turned OFF, then an explosion hazard could be created.
- When exchanging LPG cylinders, be sure the cylinder valve is of the same type.
- Always keep the LPG cylinder in an upright position.
- LPG will burn skin if it comes in contact with it. Keep any and all LPG away from skin at all times.

When adding or removing Petrol:

Turn the generator off and let it cool for at least two minutes before removing the fuel cap. Loosen the cap slowly to relieve pressure in the tank.

Only fill or drain fuel outdoors in a well-ventilated area.

DO NOT pump petrol directly into the generator at the petrol station. Use an approved container to transfer the fuel to the generator.

DO NOT overfill the fuel tank.

Always keep fuel away from sparks, open flames, pilot lights, heat and other sources of ignition.

DO NOT light or smoke cigarettes.

When starting the generator:

DO NOT attempt to start a damaged generator.

Make certain that the petrol cap, air filter, spark plug, fuel lines and exhaust system are properly in place.

Allow spilled fuel to evaporate fully before attempting to start the engine.

Make certain that the generator is resting firmly on level ground.

When operating the generator:

DO NOT move or tip the generator during operation.

DO NOT tip the generator or allow fuel or oil to spill.

When transporting or servicing the generator:

Make certain that the fuel shutoff valve is in the off position and the fuel tank is empty.

Make certain that a LPG cylinder is not attached to generator and is securely stowed away.

Disconnect the spark plug wire.

When storing the generator:

Store away from sparks, open flames, pilot lights, heat and other sources of ignition.

Do not store generator, petrol or LPG cylinder near furnaces, water heaters, or any other appliances that produce heat or have automatic ignitions.

WARNING

Never use a petrol container, LPG connector hose, petrol tank, LPG cylinder or any other fuel item that is damaged or appears damaged.

Your generator requires some assembly. This unit ships from our factory without oil. It must be properly serviced with fuel and oil before operation.

If you have any questions regarding the assembly of your generator, call your local dealer. Please have your serial number and model number available.

Remove the Generator from the Shipping Carton

1. Set the shipping carton on a solid, flat surface.
2. Remove everything from the carton except the generator.
3. Carefully cut each corner of the box from top to bottom. Fold each side flat on the ground to provide a surface area to install the wheel kit and support leg.

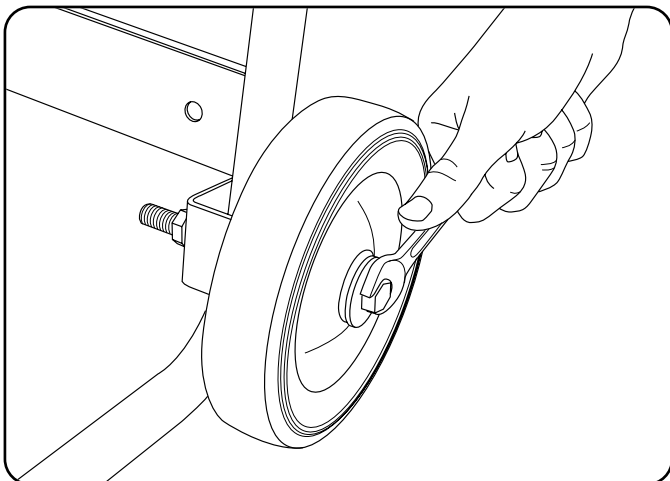
Install the Wheel Kit - 1 (selected models)

CAUTION

The wheel kit is not intended for over-the-road use.

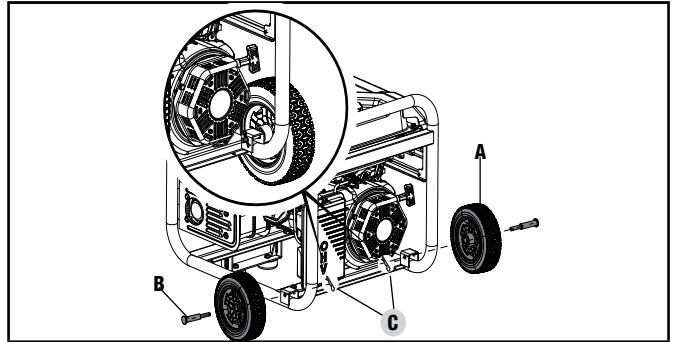
You will need the following tools to install the wheels:

- Adjustable wrench (not included)
 - Socket wrench (not included)
 - Pliers (not included)
1. Before adding fuel and oil, tip the generator on its side.
 2. Slide the wheel bolt through the flat washer, bushing and wheel.
 3. Slide the bolt through the mount point on the frame.
 4. Fasten securely with the lock nut.
 5. Repeat steps 2-4 to attach the second wheel.



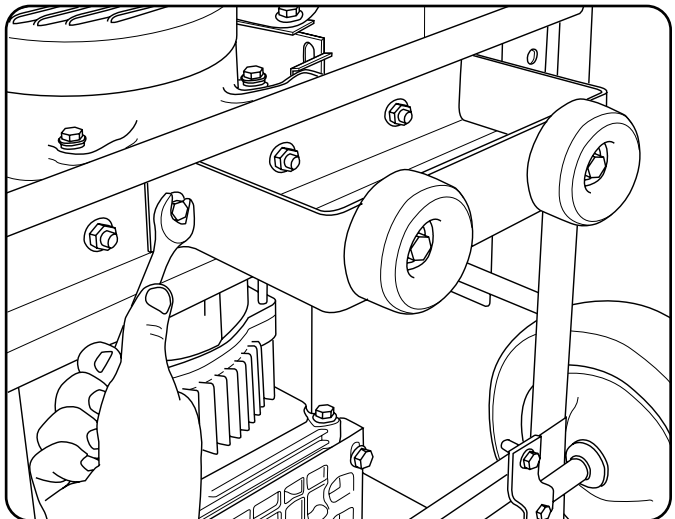
Install the Wheel Kit - 2 (selected models)

1. Before adding fuel and oil, tip the generator onto its recoil end.
2. Slide the Roll Pin (B) through the Wheel (A) from the outside.
3. Slide the Roll Pin through the mount point on the frame.
4. Secure with the R-clip (C).
5. Repeat to attach the second Wheel.



Install the Support Leg

1. Attach the support leg to the generator frame with flange bolt and flange lock nuts.
2. Tip the generator slowly so that it rests on the wheels and support leg.



Install the handle (selected models)

1. Place the handle over the mounting channel on the frame.
2. Secure the handle to the frame using the two handle bolts.
3. Place the lock nut on the end of each bolt and fasten securely. DO NOT over tighten the lock nuts.

ASSEMBLY

Connect the Battery

1. Remove the protective cover from the red (+) lead on the battery.
2. Attach the red (+)lead to the red (+) terminal on the battery with the flange bolt and secure with the flange nut.
3. Repeat steps 1-2 for the black (-) battery lead.

Add Engine Oil

⚠ CAUTION

DO NOT attempt to crank or start the engine before it has been properly filled with the recommended type and amount of oil. Damage to the generator as a result of failure to follow these instructions will void your warranty.

NOTE

The generator rotor has a sealed, pre-lubricated ball bearing that requires no additional lubrication for the life of the bearing.

NOTE

The recommended oil type is 10W-30 automotive oil.

1. Place the generator on a flat, level surface.
2. Remove oil fill cap/dipstick to add oil.
3. Add oil and replace oil fill cap/dipstick. DO NOT OVERFILL.
4. Check engine oil level daily and add as needed.

NOTE

Once oil has been added, a visual check should show oil about 1-2 threads from running out of the fill hole. If using the dipstick to check oil level, DO NOT screw in the dipstick while checking.

Add Engine Oil Cont'd.

NOTE

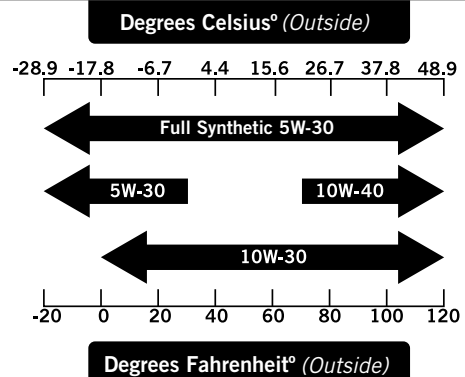
Check oil often during the break-in period. Refer to the Maintenance section for recommended service intervals.

CAUTION

The engine is equipped with a low oil shut-off and will stop when the oil level in the crankcase falls below the threshold level.

NOTE

We consider the first 5 hours of run time to be the break-in period for the unit. During the break in period stay at or below 50% of the running watt rating and vary the load occasionally to allow stator windings to heat and cool. Adjusting the load will also cause engine speed to vary and help seat piston rings. After the 5 hour break-in period, change the oil.



NOTE

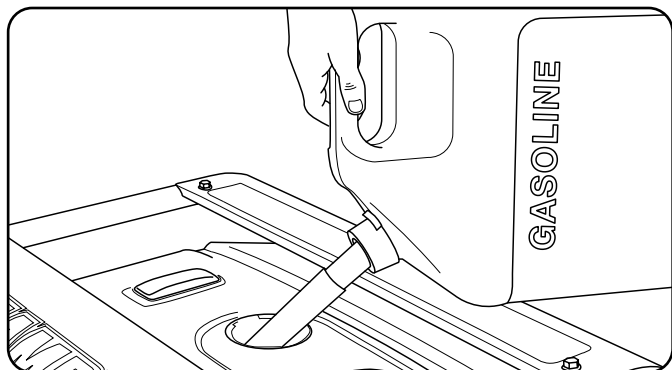
Weather will affect engine oil and engine performance. Change the type of engine oil used based on weather conditions to suit the engine needs.

NOTE

Synthetic oil may be used after the 5 hour initial break-in period. Using synthetic oil does not increase the recommended oil change interval. Full synthetic 5W-30 oil will aid in starting in cold ambient <math>< 5^{\circ}\text{C}</math> (41°F)

Add Fuel (Petrol)

1. Use clean, fresh, regular unleaded fuel with a minimum octane rating of 85 and an ethanol content of less than 10% by volume.
2. DO NOT mix oil with fuel.
3. Clean the area around the fuel cap.
4. Remove the fuel cap.
5. Slowly add fuel to the tank. DO NOT OVERFILL.
Fuel can expand after filling. A minimum of 6.4 mm (¼ in.) of space left in the tank is required for fuel expansion, more than 6.4 mm (¼ in.) is recommended. Fuel can be forced out of the tank as a result of expansion if it is overfilled, and can affect the stable running condition of the product. When filling the tank, it is recommended to leave enough space for the fuel to expand.



6. Screw on the fuel cap and wipe away any spilled fuel.

! CAUTION

Use regular unleaded petrol with a minimum octane rating of 85.

Do not mix oil and petrol.
Fill tank to approximately 6.4 mm (¼ in.) below the top of the tank to allow for fuel expansion.
DO NOT pump petrol directly into the generator at the petrol station. Use an approved container to transfer the fuel to the generator.
DO NOT fill fuel tank indoors.
DO NOT fill fuel tank when the engine is running or hot.
DO NOT overfill the fuel tank.
DO NOT light cigarettes or smoke when filling the fuel tank.

Add Fuel (Petrol) Cont'd.

! WARNING

Pouring fuel too fast through the fuel screen may result in blow back of fuel at the operator while filling.

NOTE

Our engines work well with 10% or less ethanol blend fuels. When using blended fuels there are some issues worth noting:

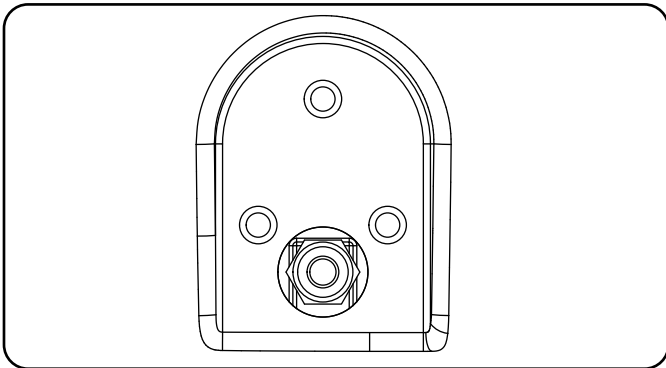
- Ethanol-petrol blends can absorb more water than petrol alone.
- These blends can eventually separate, leaving water or a watery goo in the tank, fuel valve and carburetor.
- With gravity-fed fuel supplies, this compromised fuel can be drawn into the carburetor and cause damage to the engine and/or potential hazards.
- There are only a few suppliers of fuel stabilizer that are formulated to work with ethanol blend fuels.
- Any damages or hazards caused by using improper fuel, improperly stored fuel, and/or improperly formulated stabilizers, are not covered by manufacture's warranty.

It is advisable to always shut off the fuel supply, run the engine to fuel starvation and drain the tank when the equipment is not in use for more than 30 days.

ASSEMBLY

Connecting Liquid Petroleum Gas (LPG) Cylinder

1. Make sure the fuel valve on the generator is in the off position.
2. Attach the LPG hose (included) to the LPG hose connector on the side of the generator and tighten with an adjustable wrench.
Important: DO NOT use tape or any other type of sealant to seal LPG hose connection.
3. Remove the safety plug or cap from the cylinder valve.
4. Attach the other end of the hose to the LPG connector on the cylinder and hand tighten.
5. Check all connections for leaks by wetting the fittings with a solution of soap and water. Bubbles which appear or bubbles which grow indicate that a leak exists. If a leak exists at a fitting then turn off the gas valve at the tank and tighten the fitting. Turn the gas back on and recheck the fitting with the soap and water solution. If the leak continues or if the leak is not at a fitting then do not use the generator and contact customer service.



NOTE

- Use only standard 20 or 30 pound capacity LP tanks with Type 1, right hand Acme threads.
- Verify the requalification date on the tank has not expired.
- All new cylinders must be purged of air and moisture prior to filling. Used cylinders that have not been plugged or kept closed must also be purged.
- The purging process should be done by a LPG supplier. (Cylinders from an exchange supplier should have been purged and filled properly already).
- Always position the cylinder so the connection between the valve and the gas inlet won't cause sharp bends or kinks in the hose.

Connecting LPG Cylinder Cont'd.

CAUTION

Do not allow children to tamper or play with the cylinder or hose connections.

CAUTION

Use approved LPG cylinders equipped with an OPD (overfilling prevention device) valve. Always keep the cylinder in a vertical position with the valve on top and installed at ground level on a flat surface. Cylinders must not be installed near any heat source and should not be exposed to sun, rain, and dust. When transporting and storing, turn off the cylinder valve and fuel valve, and disconnect the cylinder. Plug the outlet, usually by a plastic protective cap, if one is available. Keep cylinders away from heat and ventilated when in a vehicle.

WARNING

If there is a strong smell of gas: Close off the gas supply at the cylinder. Use soapy water, which will produce a large bubble at the point of any leak, to check the hose, and connections on the cylinder valve and the generator. Do not smoke or light a cigarette, or check for leaks using a match, open flame source or lighter. Contact a qualified technician to inspect and repair the LPG system if a leak is found, before using the generator.

Grounding

Your generator must be properly connected to an appropriate ground to help prevent electric shock.

WARNING

Failure to properly ground the generator can result in electric shock.

A ground terminal connected to the frame of the generator has been provided on the power panel. For remote grounding, connect a length of heavy gauge (12 AWG minimum) copper wire between the generator ground terminal and a copper rod driven into the ground. We strongly recommend that you consult with a qualified electrician to ensure compliance with local electrical codes.

Generator Location

Never operate the generator inside any building! (See safety warnings section). In some areas generators must be registered with the local utility company. Generators used on construction sites may be subject to local rules and regulations. Keep on a flat, level surface. Generators must have at least 5 ft (1.5m) clearance from all combustible material. In addition they must have at least 3 ft (91.4cm) of clearance on all sides to allow for adequate cooling, maintenance and servicing. Generators should never be started or operated in an location that will not allow for adequate cooling of the generator and/or the muffler. Allow generators to cool before storage or transportation. Do not place the generator near any vents or intakes. Carefully consider wind and air currents when placing generator. Failure to follow the proper safety instructions may void the manufacturer's warranty.

Failure to follow proper safety precautions may void manufacturer's warranty.

WARNING

Do not operate or store the generator in rain, snow, or wet weather.

Using a generator or electrical appliance in wet conditions, such as rain or snow, or near a pool or sprinkler system, or when your hands are wet, could result in electrocution.

WARNING

During operation the muffler and exhaust fumes produced will become hot. If adequate cooling and breathing space are not supplied, or if the generator is blocked or contained, temperatures can become extremely heated and may lead to fire.

Grounding

The generator system ground connects the frame to the ground terminals on the power panel. The system ground is connected to the AC neutral wire.

Surge Protection

CAUTION

Voltage fluctuation may impair the proper functioning of sensitive electronic equipment.

Electronic devices, including computers and many programmable appliances use components that are designed to operate within a narrow voltage range and may be affected by momentary voltage fluctuations. While there is no way to prevent voltage fluctuations, you can take steps to protect sensitive electronic equipment.

1. *Install UL1449, CSA-listed, plug-in surge suppressors on the outlets feeding your sensitive equipment.*

Surge suppressors come in single- or multi-outlet styles. They're designed to protect against virtually all short-duration voltage fluctuations.

EN

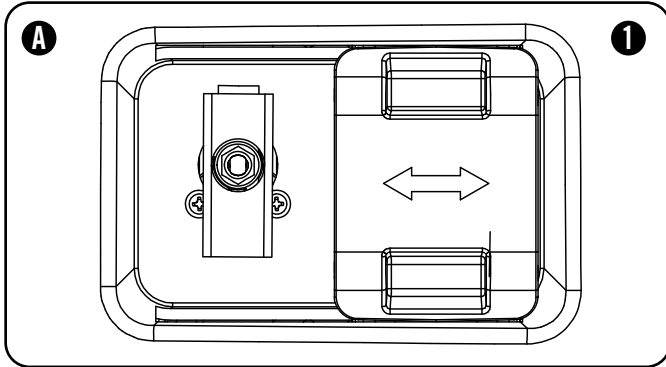
OPERATION

Fuel Selector Switch

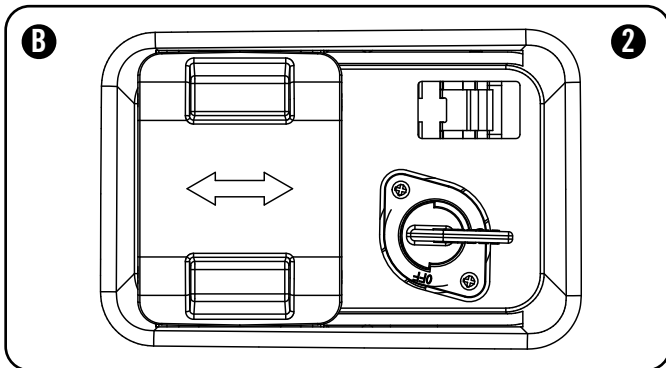
The fuel selector switch on the front panel of the generator is designed specifically to choose between the fuel source desired, Petrol or LPG.

To select a fuel source simply slide the switch cover to either the right or left, and this will uncover the fuel valve of the fuel selected.

The LPG fuel valve (A) is to the left of the switch cover. The petrol fuel valve (B) is to the right of the switch cover.



Once a fuel source has been selected, the user must turn the fuel valve to the vertical position to open the fuel valve. (1)



To turn a fuel valve to the off position the valve must be in the horizontal position. (2)

NOTE

The fuel selector switch cover is specifically designed not to slide to either side while a specific fuel has been selected and the valve is in the "ON" position. Only when the fuel valves are in the "OFF" position can the cover slide side to side.

NOTE

The fuel selector is locked into place once a "CLICK" sound is made. Only then can a fuel valve be turned to the vertical position.

Starting the Engine in ambient > 15°C (59°F)

Petrol

1. Make certain the generator is on a flat, level surface.
2. Disconnect all electrical loads from the generator.
Never start or stop the generator with electrical devices plugged in or turned on.
3. Turn the petrol fuel valve to the "ON" position.
4. Move the choke lever to the "100% CHOKE" detent position.
 - a. For restarting a warm engine, move the choke lever to the "75% CHOKE" detent position.
5. Push the battery switch to the "ON" position.
6. Push the ignition switch to the "ON" position.
7. ELECTRIC START: Press and hold the ignition switch to the "START" position. Release as the engine begins to start. If the engine fails to start within five seconds, release the switch and wait at least ten seconds before attempting to start the engine again.
8. RECOIL START: Pull the starter cord slowly until resistance is felt and then pull rapidly.
9. Do not over-choke. As soon as engine starts, gradually move the choke lever to the "RUN" position over a 2-5 second duration.

NOTE

Keep choke lever in "Choke" position for only 1 pull of the recoil starter. After first pull, move choke lever to the "Run" position for up to the next 3 pulls of the recoil starter. Too much choke leads to sparkplug fouling/engine flooding due to the lack of incoming air. This will cause the engine not to start.

NOTE

For restarts with hot engine in hot ambient > 30°C (86°F) keep choke lever in "75% Choke" detent position for only 1 pull of the recoil starter. After first pull, move choke lever to the "Run" position for up to the next 3 pulls of the recoil starter. Too much choke leads to sparkplug fouling/engine flooding due to the lack of incoming air. This will cause the engine not to start.

NOTE

For petrol starting in cold ambient < 15°C (59°F) the choke must be in the 100% "CHOKE" detent position for both electric and recoil start procedures. Do not over-choke. As soon as engine starts, gradually move the choke lever to the "RUN" position over a 5-20 second duration.

LPG

1. Make certain the generator is on a flat, level surface.
2. Disconnect all electrical loads from the generator.
Never start or stop the generator with electrical devices plugged in or turned on.
3. Fully open the LPG cylinder fuel knob.
4. Turn the LPG fuel valve to the "ON" position.
5. Push the battery switch to the "ON" position.
6. Push the ignition switch to the "ON" position.
7. ELECTRIC START: Move the choke lever to the "75% Choke" detent position.
 - a. For restarting a warm engine, move the choke lever to the "75% CHOKE" detent position.
8. Press and hold the ignition switch to the "START" position. Release as the engine begins to start. If the engine fails to start within five seconds, release the switch and wait at least ten seconds before attempting to start the engine again.
9. Do not over-choke. As soon as engine starts, gradually move the choke lever to the "RUN" position over a 2-5 second duration.
10. RECOIL START: Move the choke lever to the "100% Choke" detent position.
 - a. For restarting a warm engine, move the choke lever to the "100% CHOKE" detent position.
11. PULL-TO-PRIME: Pull the starter cord slowly until resistance is felt and then pull rapidly. Pull with "100% Choke" 1-2 times until you feel a few combustion pulses that indicates that the engine momentarily started.
12. Move the choke lever to the "RUN" position.
13. Pull the starter cord slowly until resistance is felt and then pull rapidly.
14. If engine fails to start in 1-pull with choke in the "RUN", then move choke to "100% Choke" and repeat the PULL-TO-PRIME step.

Starting the Engine Cont'd.

NOTE

For LPG starting in cold ambient < 15°C (59°F) Move the choke lever to the "75% Choke" position for electric starting and "100% Choke" for recoil start. For electric start, gradually move the choke lever to the "RUN" position over a 2-10 second duration. To pull to prime for recoil start Pull with "100% Choke" 1-3 times until you feel a few combustion pulses that indicates that the engine momentarily started.

CAUTION

If the ignition switch is held down in the "Start" position longer than 5 seconds it could damage the starter.

EN

NOTE

If the engine starts but does not run make certain that the generator is on a flat, level surface. The engine is equipped with a low oil sensor that will prevent the engine from running when the oil level falls below a critical threshold.

NOTE

When the battery switch is in the "ON" position, the switch will light up if the battery is sending out a charge. If the switch does not light up while in the "ON" position, check that the battery connection is still good.

NOTE

The supplied 12V 15AH battery does re-charge while the engine is running, but it is also recommended that the battery be fully charged at least once per month.

OPERATION

Starting the Engine Cont'd.

NOTE

Observing frost on LPG containers and regulators is common during operation and normally is not an indication of a problem. As LPG vapourizes and travels from the tank to the generator engine it expands. The amount of frost that forms can be affected by the size of the container, the amount of fuel being used, the humidity of the air and other operating conditions. In unusual situations this frost may eventually restrict the flow of gas to the generator resulting in deteriorating performance. For example, if the tank temperature is reduced to a very low level then the rate at which the LPG vaporizes is also reduced and may not provide sufficient fuel flow to the engine. This is not an indication of a problem with the generator but only a problem with the flow of gas from the LPG container. If generator performance seems to be deteriorating at the same time that ice formation is observed on tank valve, hose or regulator then some actions may be taken to eliminate this symptom.

In these rare situations it can be helpful to reduce or eliminate the cold fuel system effects by doing one of the following:

- Exchanging fuel tanks to allow the first tank to warm up, repeating as necessary
- Placing the LPG container at the end of the generator near the handle, where engine fan air flows out from the generator. This air is slightly heated by flowing over the engine. The container should not be placed in the path of the muffler outlet.
- The container can be temporarily warmed by pouring warm water over the top of the tank.

Stopping the Engine

1. Turn off and unplug all electrical loads. Never start or stop the generator with electrical devices plugged in or turned on.
2. Let the generator run at no-load for several minutes to stabilize internal temperatures of the engine and generator.
3. Turn the Petrol Fuel Valve to the “OFF” position if operating by petrol.
4. Turn the LPG cylinder knob to the “CLOSE” or off position if operating by LPG.
5. Let the engine run until fuel starvation has stopped the engine. This usually takes a few minutes.
6. Press the ignition switch to the “OFF” position.
7. Turn battery switch to the “Off” Position.

Important: Always ensure that the Fuel Valve and the Ignition Switch are in the “OFF” position when the engine is not in use.

Stopping the Engine Cont'd.

NOTE

When turning off the generator after LPG operation, make sure the LPG cylinder knob is in the fully closed position.

NOTE

If the engine will not be used for a period of two (2) weeks or longer, please see the Storage section for proper engine and fuel storage.

Connecting Electrical Loads

1. Let the engine stabilize and warm up for a few minutes after starting
2. Plug in and turn on the desired 220 Volt AC single phase, 50 Hz electrical loads.
 - DO NOT connect 3-phase loads to the generator.
 - DO NOT connect 60 Hz loads to the generator.
 - DO NOT overload the generator.

NOTE

Connecting a generator to your electric utility company's power lines or to another power source may be against the law. In addition this action, if done incorrectly, could damage your generator and appliances and could cause serious injury or even death to you or a utility worker who may be working on nearby power lines. If you plan to run a portable electric generator during an outage, please notify your electric utility company immediately and remember to plug your appliances directly into the generator. Do not plug the generator into any electric outlet in your home. Doing so could create a connection to the utility company power lines. You are responsible for ensuring that your generator's electricity does not feed back into the electric utility power lines.

If the generator will be connected to a building electrical system, consult your local utility company or a qualified electrician. Connections must isolate generator power from utility power and must comply with all applicable laws and codes.

Do Not Overload Generator

Capacity

Follow these simple steps to calculate the running and starting watts necessary for your purposes.

1. Select the electrical devices you plan on running at the same time.
2. Total the running watts of these items. This is the amount of power you need to keep your items running.
3. Identify the highest starting wattage of all devices identified in step 1. Add this number to the number calculated in step 2. Surge wattage is the extra burst of power needed to start some electric driven equipment. Following the steps listed under "Power Management" will guarantee that only one device will be starting at a time.

Power Management

Use the following formula to convert voltage and amperage to watts:

$$\text{Volts} \times \text{Amps} = \text{Watts}$$

To prolong the life of your generator and attached devices, follow these steps to add electrical load:

1. Start the generator with no electrical load attached
2. Allow the engine to run for several minutes to stabilize.
3. Plug in and turn on the first item. It is best to attach the item with the largest load first.
4. Allow the engine to stabilize.
5. Plug in and turn on the next item.
6. Allow the engine to stabilize.
7. Repeat steps 5-6 for each additional item.

NOTE

Never exceed the specified capacity when adding loads to the generator.

An Important Message About Temperature

Your Champion Power Equipment product is designed and rated for continuous operation at ambient temperatures up to 40°C (104°F). When your product is needed your product may be operated at temperatures ranging from -15°C (5°F) to 50°C (122°F) for short periods. If the product is exposed to temperatures outside this range during storage, it should be brought back within this range before operation. In any event, the product must always be operated outdoors, in a well-ventilated area and away from doors, windows and other vents.

MAINTENANCE AND STORAGE

The owner/operator is responsible for all periodic maintenance.

WARNING

Never operate a damaged or defective generator.

WARNING

Tampering with the factory set governor will void your warranty.

WARNING

Improper maintenance will void your warranty.

NOTE

Maintenance, replacement, or repair of emission control devices and systems may be performed by any non-road engine repair establishment or individual.

Complete all scheduled maintenance in a timely manner. Correct any issue before operating the generator.

Engine Maintenance

To prevent accidental starting, remove and ground spark plug wire before performing any service.

Oil

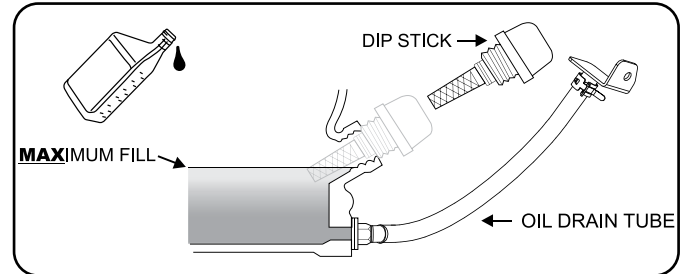
Change oil when the engine is warm. Refer to the oil specification to select the proper grade of oil for your operating environment.

1. Remove the oil drain plug with a 15 mm socket and extension (not included).
2. Allow the oil to drain completely.
3. Replace the drain plug.
4. Remove oil fill cap/dipstick to add oil.
5. Add oil and replace oil fill cap/dipstick. DO NOT OVERFILL.
6. Dispose of used oil at an approved waste management facility.

Oil Cont'd.

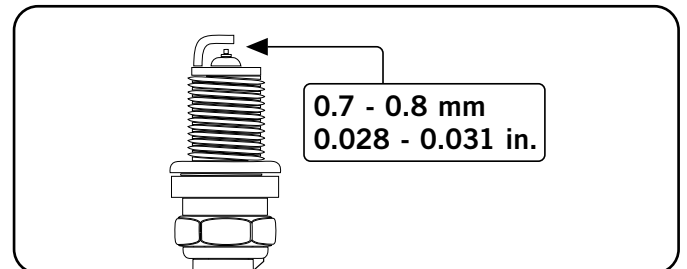
NOTE

Once oil has been added, a visual check should show oil about 1-2 threads from running out of the fill hole. If using the dipstick to check oil level, DO NOT screw in the dipstick while checking.



Spark Plugs

1. Remove the spark plug cable from the spark plug.
2. Use a spark socket (not included) to remove the plug.
3. Inspect the electrode on the plug. It must be clean and not worn to produce the spark required for ignition.
4. Make certain the spark plug gap is 0.7 - 0.8 mm or (0.028 - 0.031 in.).



5. Refer to the spark plug recommendation chart when replacing the plug.
6. Carefully thread the plug into the engine.
7. Use a spark plug socket (not included) to firmly install the plug.
8. Attach the spark plug wire to the plug.

OEM spark plug: F6RTC

Replacement spark plug: NGK BPR6ES or equivalent
Make certain the *spark plug gap is 0.7 - 0.8 mm or (0.028 - 0.031 in.).

Maintenance Valve Clearance

- Intake: 0.13 - 0.17 mm (0.005 - 0.007 in.)
- Exhaust: 0.18 - 0.22 mm (0.007 - 0.009 in.)

Note: Tech bulletin regarding the valve adjustment procedure is on www.championpowerequipment.com

Air Filter

1. Remove the snap-on cover holding the air filter to the assembly.
2. Remove the foam element.
3. Wash in liquid detergent and water. Squeeze thoroughly dry in a clean cloth.
4. Saturate in clean engine oil.
5. Squeeze in a clean, absorbent cloth to remove all excess oil.
6. Place the filter in the assembly.
7. Reattach the air filter cover and snap in place.

Spark Arrester

1. Allow the engine to cool completely before servicing the spark arrester.
2. Remove the screws holding the cover plate which retains the end of the spark arrester to the muffler.
3. Remove the spark arrester screen.
4. Carefully remove the carbon deposits from the spark arrester screen with a wire brush.
5. Replace the spark arrester if it is damaged.
6. Position the spark arrester in the muffler and attach with the screws.

CAUTION

Failure to clean the spark arrester will result in degraded engine performance.

Cleaning

CAUTION

DO NOT spray engine with water.

Water can contaminate the fuel system.

Use a damp cloth to clean exterior surfaces of the engine. Use a soft bristle brush to remove dirt and oil. Use an air compressor (25 PSI) to clear dirt and debris from the engine.

Adjustments

The air-fuel mixture is not adjustable. Tampering with the governor can damage your generator and your electrical devices and will void your warranty.

Maintenance Schedule

Follow the service intervals indicated in the following maintenance schedule.

Service your generator more frequently when operating in adverse conditions.

Every 8 hours or daily	
	Check oil level
	Clean around air intake and muffler
	Check hoses for leaks
First 5 hours	
	Change oil
Every 50 hours or every season	
	Clean air filter
	Change oil if operating under heavy load or in hot environments
Every 100 hours or every season	
	Change oil
	Clean/Adjust spark plug
	Check/Adjust valve clearance*
	Clean spark arrester
	Clean fuel tank and filter*
Every 250 hours	
	Clean combustion chamber*
Every 3 years	
	Replace fuel line and LPG hose

*To be performed by knowledgeable, experienced owners or Champion Power Equipment certified dealers.

Generator Maintenance

Make certain that the generator is kept clean and stored properly. Only operate the unit on a flat, level surface in a clean, dry operating environment. DO NOT expose the unit to extreme conditions, excessive dust, dirt, moisture or corrosive vapours.

CAUTION

DO NOT use a garden hose to clean the generator.

Water can enter the generator through the cooling slots and damage the generator windings.

Use a damp cloth to clean exterior surfaces of the generator. Use a soft bristle brush to remove dirt and oil. Use an air compressor (25 PSI) to clear dirt and debris from the generator. Inspect all air vents and cooling slots to ensure that they are clean and unobstructed.

MAINTENANCE AND STORAGE

Storage

The generator should be started at least once every 14 days and allowed to run for at least 20 minutes. For longer term storage, please follow these guidelines.

Generator Storage

1. Add a properly formulated fuel stabilizer to the tank.
2. Be sure all appliances are disconnected from the generator.
3. Run the generator for a few minutes so the treated fuel cycles through the fuel system and carburetor.
4. Turn the fuel valve to the "Off" position.
5. Let the generator run until fuel starvation has stopped the engine. This usually takes a few minutes.
6. The generator needs to cool completely before cleaning and storage.
7. Clean the generator according to the maintenance section.
8. Change the oil.
9. Remove the spark plug and pour about 14.8 mL (1/2 ounce) of oil into the cylinder. Crank the engine slowly to distribute the oil and lubricate the cylinder.
10. Reattach the spark plug.
11. Store the unit in a clean, dry place out of direct sunlight.

DANGER

Generator exhaust contains odourless and colourless carbon monoxide gas.

To avoid accidental or unintended ignition of your remote start generator during periods of storage, the following precautions should be followed:

- When storing the generator for short periods of time make sure that the Ignition Switch, the Fuel Valve and the Battery Switch are set in the OFF position.
- When storing the generator for extended periods of time make sure that the Ignition Switch, the Fuel Valve and the Battery Switch are set in the the OFF position and the battery leads have been disconnected from the battery.

Generator Battery

This product is equipped with an automatic battery charging circuit. The battery will receive charging voltage when the engine is running. The battery will maintain a proper charge if the unit is used on a regular basis (about once every two weeks). If it is used less frequently, the battery should be connected to a trickle charger (not included) or battery maintainer (not included) to keep the battery properly charged. If the battery is not able to start the engine, it can be started by manually pulling the engine recoil cord. If the battery voltage is extremely low, the charging circuit may not be able to re-charge the battery. In this case, the battery must be connected to a standard automotive style battery charger for re-charging before it can be used.

Disconnect the Battery

1. Remove the protective cover from the black/negative battery lead.
2. Disconnect the black/negative lead from the black/negative terminal on the battery and store the cap screw (M5x10) and nut (M5).
3. Repeat steps 1-2 for the red/positive battery lead.
4. Store the battery in a cool, dry place.

Charge the Battery

For a generator equipped with batteries for electric starting, proper battery maintenance and storage should be followed. An automatic battery charger (not included) with automatic trickle charging capability should be used to charge the battery. Maximum charging rate should not exceed 1.5 amps. Follow the instructions included with the battery charger. The battery should be fully charged at least once per month.

NOTE

A Float Charger will maintain the battery condition over long storage periods.

Problem	Cause	Solution
Generator will not start	No fuel	Add fuel
	Faulty spark plug	Replace spark plug
	Unit loaded during start up	Remove load from unit
Generator will not start; Generator starts but runs roughly	Low oil level	Fill crankcase to the proper level
		Place generator on a flat, level surface
	Choke in the wrong position	Adjust choke
Generator will not start electrically	Spark plug wire loose	Attach wire to spark plug
	Generator battery is dead	Recharge generator battery
Generator shuts down during operation	Battery switch is in the "OFF" position	Turn battery switch to "ON" position
	Out of fuel	Fill the petrol tank or fill LPG cylinder
	Low oil level	Fill crankcase to the proper level. Place generator on a flat, level surface
Generator cannot supply enough power or overheating	Generator is overloaded	Review load and adjust. See "Power Management"
	Insufficient ventilation	Check for air restriction. Move to a well ventilated area
No AC output	Cable not properly connected	Check all connections
	Connected device is defective	Replace defective device
	Circuit breaker is open	Reset circuit breaker
	Faulty brush assembly	Replace brush assembly (Service Center)
	Faulty AVR (auto voltage regulator)	Replace AVR (Service Center)
	Loose wiring	Inspect and tighten wiring connections
	Other	Contact the help line
Repeated circuit breaker tripping	Overload	Review load and adjust. See "Power Management"
	Faulty cords or device	Check for damaged, bare or frayed wires. Replace defective device

INTRODUKTION

Introduktion

Grattis till att ha köpt denna generator. Vårda och ta hand om den korrekt.

Portabel strömgenerator

Denna enhet är en bensinmotordriven växelströmgenerator som används för att generera elektrisk ström.

Tillbehör

CPE tillverkar och tillhandahåller en mängd olika tillbehör. Se din lokala handlare för mer information.

Denna broschyr

Vi förbehåller oss rätten att ändra eller förbättra produkten eller denna manual utan vidare förvarning.

Notera modell- och serienummer samt datum och inköpsställe för framtida behov. Ha denna information tillgänglig vid beställning av reservdelar och vid tekniska eller garantiförfrågningar.

Champion Power Equipment support
Modellnummer
Serienummer
Inköpsdatum
Inköpsplats
För oljetyp , se avsnittet "Fyll på olja". För bränsletyp , se avsnittet "Fyll på bränsle".

Vänligen gör dig bekant med följande symboler. Säkerhetssymbolen och nyckelorden är säkerhetsvarningar. Följ alla säkerhetsmeddelanden för att undvika olyckor eller personskador.

FARA

FARA anger en omedelbart farlig situation som, om den inte undviks, **kommer att** leda till död eller allvarlig personskada.

VARNING

FARA anger en potentiellt farlig situation som, om den inte undviks, **kan** leda till död eller allvarlig personskada.

FÖRSIKTIGHET

FARA anger en potentiellt farlig situation som, om den inte undviks, **kan** leda till mindre eller måttliga personskador.

FÖRSIKTIGHET

VARNING utan symbolen för säkerhetsvarning anger en potentiellt farlig situation som, om den inte undviks, **kan** leda till skador på egendom.

SÄKERHETSBESTÄMMELSER

VARNING

Läs denna manual noggrant innan du använder din generator. Att avvika från instruktionerna kan leda till allvarliga skador eller död.

VARNING

Avgaserna från den här produkten innehåller kemikalier som är dokumenterat skadliga för hälsan eller t.o.m. dödliga.

DANGER

Generatoravgaser innehåller kolmonoxid som är en färglös, doftfri, giftig gas. Att andas in kolmonoxid kommer att orsaka illamående, yrsel, svimning eller död. Om du börjar känna dig yr eller svag, se till att få frisk luft omedelbart.

Använd generatormotorn utomhus och på en väl ventilerad plats.

ANVÄND INTE generatormotorn inomhus. Detta inkluderar garage, källare, kryputrymmen, förråd, inhägnader eller avdelningar samt generatorutrymmen i husbilar eller husvagnar. LÅT INTE avgasångor tränga in i stängda utrymmen genom fönster, dörrar, ventiler eller andra öppningar.

KOLMONOXIDVARNING: att använda en generator inomhus **KAN DÖDA DIG PÅ ETT PAR MINUTER.**

FARA

Roterande delar kan trassla in händer, fötter, hår, kläder och/eller accessoarer. Traumatiska amputationer eller allvarliga skärsår kan uppstå.

Se till att hålla händer och fötter borta från roterande delar.

Sätt upp långt hår och ta bort smycken.

Använd utrustning med skydd på plats.

ANVÄND INTE löst sittande kläder, hängande snören eller andra saker som kan fastna eller ryckas in.

FARA

Generatormotorn producerar kraftfull spänning.

RÖR INTE nakna sladdar eller kärl. ANVÄND INTE elektriska sladdar som är slitna, skadade eller trasiga.

ANVÄND INTE generatormotorn i vått väder. TILLÅT INTE att barn eller okvalificerade personer hanterar eller genomför underhåll på generatormotorn. Använd en säkerhetsbrytare på fuktiga ställen eller på ställen med strömförande material såsom metallunderlag.

Använd godkänd överföringsutrustning för att isolera generatormotorn från dina elektriska verktyg och meddela ditt elbolag innan du ansluter din generator till elnätet.

VARNING

Gnistor kan resultera i brand eller elektriska stötar.

Vid underhåll av generatormotorn:

Koppla ifrån sladden till tändstiftet och placera den så att den inte kan komma i kontakt med tändstiftet.

Undersök INTE om det bildas gnistor när tändstiftet är borttaget.

Använd endast godkända testare av tändstift.

VARNING

Att köra motorer som producerar hetta. Allvarliga skador kan uppstå vid kontakt. Brännbart material kan fatta eld vid kontakt.

VIDRÖR INTE heta ytor.

Undvik kontakt med heta avgaser.

Låt utrustning svalna av innan den vidrörs.

Se till att hålla ett avstånd på minst 91,4 cm (ca 3 ft.) på alla sidor för att säkerställa tillräcklig avkyllning.

Se till att hålla ett avstånd på minst 1,5 meter (ca 5 ft.) från brännbart material.

VARNING

Den snabba rekylen av startsnöret kan slita med sig hand och arm mot motorn snabbare än du hinner släppa taget.

Oavsiktlig start kan resultera i intrassling, traumatisk amputation eller skärsår.

Brutna ben, frakturer, blåmärken eller stukningar kan bli resultatet.

När du ska starta motorn, dra startsnöret långsamt tills du känner motstånd och dra då snabbt för att undvika rekyl.

STARTA eller STANNA INTE motorn med några elektriska enheter anslutna.

FÖRSIKTIGHET

Att överstiga generatorns driftkapacitet kan skada generatorn och/eller de elektriska enheter som är kopplade till den.

ÖVERBELASTA INTE generatorn.

Starta generatorn och låt motorn stabiliseras innan du ansluter någon elektrisk belastning.

Anslut elektrisk utrustning när den är avstängd och sätt sedan på den efter anslutning.

Stäng av elektrisk utrustning innan du stänger av generatorn.

MIXTRA INTE med den reglerade hastigheten.

MODIFIERA INTE generatorn på något vis.

FÖRSIKTIGHET

Olämplig hantering eller användning av din generator kan skada den, förkorta dess livslängd och göra garantin ogiltig.

Använd endast generatorn på avsett sätt.

Använd endast på jämn och platt mark.

UTSÄTT INTE generatorn för överdriven fukt, damm eller smuts.

LÅT INTE något material blockera ventilationsöppningarna.

Om anslutna enheter överhettas ska de stängas av och kopplas bort från generatorn.

ANVÄND INTE generatorn om:

- Den inte alstrar någon elektricitet
- Utrustningen ger gnistor, rök eller eld
- Utrustningen vibrerar överdrivet

VARNING

Användning av den här utrustningen kan generera gnistor som kan starta brand i torr vegetation.

Ett gnistskydd kan krävas. Användaren bör kontakta den lokala brandskyddsmyndigheten beträffande gällande brandskyddsbestämmelser.

VARNING

Medicinsk och livsuppehållande användning.

Kontakta larmassistans omedelbart i händelse av en olycka.

ANVÄND ALDRIG den här produkten för att driva livsuppehållande enheter eller apparater.

ANVÄND ALDRIG den här produkten för att driva medicinska enheter eller apparater.

Informera din elleverantör omedelbart om någon i ditt hushåll är beroende av elektrisk utrustning för att överleva.

Informera din elleverantör omedelbart om någon i ditt hushåll skulle uppleva en medicinsk kris utan tillgänglig elektricitet.

Bränslesäkerhet



BENSIN, BENSINÅNGOR OCH GASOL ÄR MYCKET BRANDFARLIGA OCH EXPLOSIVA.

Brand eller explosion kan orsaka allvarliga brännskador eller död.

Oavsiktlig start kan resultera i intrassling, traumatisk amputation eller skärsår.

Bensin och bensinångor:

- BENSIN ÄR MYCKET BRANDFARLIG OCH EXPLOSIV.
- Bensin kan orsaka brand eller explosion vid antändning.
- Bensin är ett flytande bränsle men dess ångor kan antändas.
- Bensin är hudirriterande och måste tvättas bort omedelbart om den spillts på hud eller kläder.
- Bensin har en distinkt lukt, vilket hjälper till att upptäcka potentiella läckor snabbt.
- Vid bensinbrand får flammorna inte släckas om man inte först kan stänga AV bränsletillförselventilen. Detta beror på att det kan uppstå explosionsrisk om en brand släcks och bränsleförsörjningen inte är avstängd.
- Bensin expanderar eller dras ihop med omgivande temperaturer. Fyll aldrig bensintanken till full kapacitet, eftersom bensin behöver utrymme att expandera om temperaturen stiger.

Gasol (Liquefied Petroleum Gas, LPG):

- GASOL ÄR MYCKET BRANDFARLIG OCH EXPLOSIV.
- Brandfarlig gas under tryck kan orsaka brand eller explosion vid antändning.
- Gasol är tyngre än luft och kan sätta sig på låga ställen när den släpps ut.
- Gasol har getts en distinkt lukt, vilket hjälper till att upptäcka potentiella läckor snabbt.
- Vid petroleumgasbrand får flammorna inte släckas om man inte först kan stänga AV bränsletillförselventilen. Detta beror på att det kan uppstå explosionsrisk om en brand släcks och bränsleförsörjningen inte är avstängd.
- Kontrollera att cylinderventilen är av samma typ vid byte av gasolcylindrar.

- Håll alltid gasolcylindern i upprätt läge.
- Gasol bränner huden om den kommer i kontakt med den. Håll alltid gasol på borta från huden.

Vid påfyllning eller tömning av petroleum:

Stäng av generatorn och låt den svalna i minst två minuter innan du tar bort locket till bränslet. Lossa försiktigt på locket för att släppa ut trycket ur tanken. Fyll eller töm endast utomhus på en väl ventilerad plats. PUMPA INTE bensin direkt in i generatorn på bensinstationen. Använd en godkänd behållare för att fylla på bränslet i generatorn. ÖVERFYLL INTE bränsletanken. Se alltid till att hålla bränsle borta från gnistor, öppen eld, glöd, hetta eller andra antändningskällor. TÄND INTE eller rök cigaretter.

Vid start av generatorn:

Försök ALDRIG att starta en skadad generator. Se till att bensinlocket, luftfiltret, tändstiften, bränsleslangar och avgassystem sitter ordentligt på plats. Låt utspillt bränsle att dunsta bort ordentligt innan du försöker starta motorn. Se till att generatorn står stadigt på platt mark.

Vid användning av generatorn:

FLYTTA eller TIPPA INTE generatorn under användning. TIPPA INTE generatorn eller låt bränsle eller olja att spillas ut.

Vid transport eller underhåll av generatorn:

Se till att bränslets avstängningsventil är stängd och att bränsletanken är tom. Se till att en gasolcylinder inte är ansluten till generatorn och att den förvaras på ett säkert sätt. Koppla ifrån sladden till tändstiftet.

Vid förvaring av generatorn:

Förvara borta från gnistor, öppen eld, glöd, hetta eller andra antändningskällor. Förvara inte generator, bensin eller gasolcylinder nära ugnar, vattenvärmare eller andra apparater som producerar värme eller som tänds automatiskt.



Använd aldrig en bensinbehållare, gasolanslutningsslang, bensintank, gasolcylinder eller annat bränsleobjekt som är skadat eller ser skadat ut.

Din generator kräver en viss montering. Denna enhet levereras från vår fabrik utan olja. Den måste underhållas ordentligt med bränsle och olja innan den används.

Om du har några frågor om monteringen av din generator, vänligen kontakta din lokala handlare.

Vänligen se till att ha ditt serienummer och modellnummer till hands.

Ta bort generatorm från leveransförpackningen.

1. Placera leveransförpackningen på en stabil platt yta.
2. Ta bort allting från kartongen förutom generatorm.
3. Skär försiktigt upp varje hörn på lådan från topp till botten. Vik ner varje sida platt på marken för att få en yta att kunna installera hjulutrustningen och stödbenet.

Montera hjulen - 1 (valda modeller)

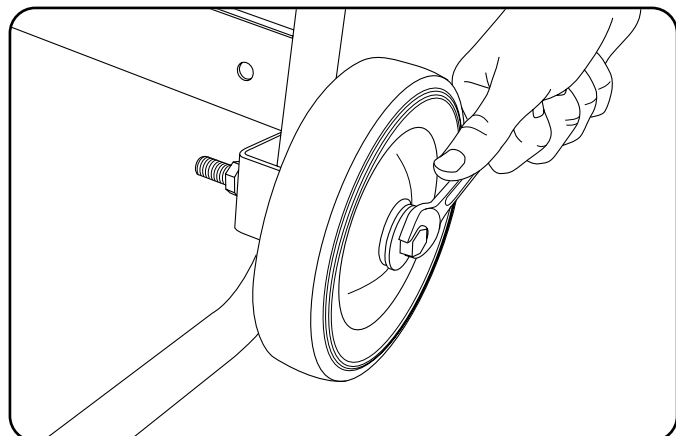
⚠ FÖRSIKTIGHET

Hjulutrustningen är inte avsedd för vägtrafik.

Du kommer att behöva följande verktyg för att installera hjulen:

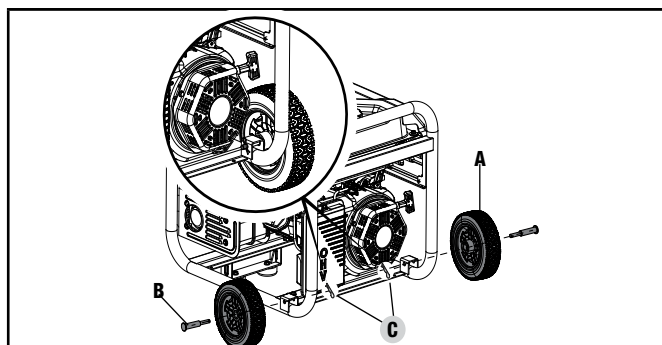
- Skiftnyckel (ingår inte)
- Hylsnyckel (ingår inte)
- Tång (ingår inte)

1. Luta generatorm på sidan innan du fyller på bränsle eller olja.
2. För in hjulbulten genom den platta brickan, bussningen och hjulet.
3. För in bulten genom monteringspunkten på ramen.
4. Fäst ordentligt med låsbulten.
5. Upprepa steg 2-4 för att fästa det andra hjulet.



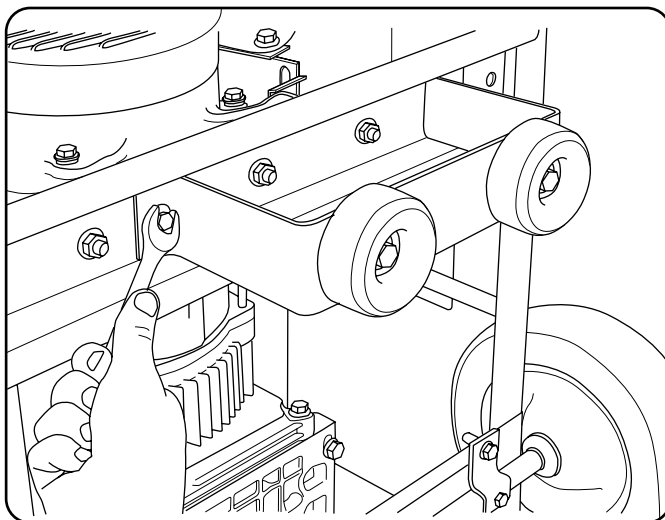
Montera hjulen - 2 (valda modeller)

1. Innan du fyller elverket med olja och bensin, luta det åt den sidan som startsnöret sitter på.
2. Skjut axeln (B) genom hjulet (A) från utsidan.
3. Skjut axeln genom fästpunkten i ramen på elverket.
4. Fäst med R-sprinten (C).
5. Repetera med det andra hjulet.



Installera stödbenet

1. Fäst stödbenet på generatorramen med flänsbultar och flänslåsmuttrar.
2. Tippa generatorm försiktigt så att den vilar på hjulen och stödbenet.



Montering av handtag (valda modeller)

1. Placera handtaget över monteringskanalen på ramen.
2. Montera handtaget på ramen med de två handtagsskruvarna.
3. Placera låsmuttern på änden av varje bult och fäst ordentligt. DRA INTE åt låsmuttrarna för hårt.

MONTERING

Anslutning av batteri

1. Ta bort det skyddande höljet från den röda pluspoolen (+) på batteriet.
2. Fäst den röda pluspolen (+) på den röda plusterterminalen (+) med flänsbulten och säkra med flänsmuttern.
3. Upprepa steg 1-2 för den svarta minuspolen (-).

Fyll på motorolja.

! FÖRSIKTIGHET

FÖRSÖK INTE starta eller dra igång motorn innan den har fyllts på ordentligt med rekommenderad mängd och typ av olja. Skador på generatoren till följd av att dessa instruktioner inte har följts gör garantin ogiltig.

! OBSERVERA

Generators rotor har ett förseglat, smörjt kullager som inte kräver någon ytterligare smörjning under kullagrets hela livslängd.

! OBSERVERA

Den rekommenderade oljetypen är 10W-30 motorolja. Använd mineralolja de fem första timmarna, därefter kan du använda syntetisk olja.

1. Placera generatoren på en platt jämn yta.
2. Ta bort oljelocket och oljestickan för att fylla på olja.
3. Fyll på olja och återställ oljestickan och oljelocket. ÖVERFYLL INTE.
4. Kontrollera oljenivåerna dagligen och fyll på vid behov.

! OBSERVERA

När oljan har fyllts på bör en avsyning visa olja upp till ca 1-2 gånger från att rinna ut ur påfyllningshålet.
Om du använder en oljesticka för att kontrollera oljan ska du INTE skruva fast oljestickan när du gör kontrollen.

Fyll på motorolja, forts.

! OBSERVERA

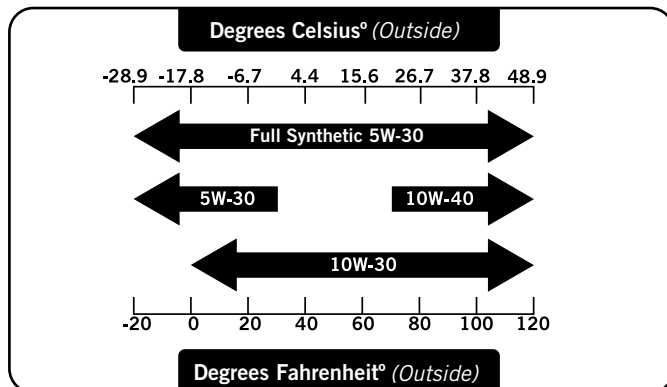
Kontrollera oljan ofta under inkörningsperioden. Se avsnittet om underhåll för rekommenderat underhållsintervall.

FÖRSIKTIGHET

Motorn är utrustad med en lågnivåavstängning och kommer att stanna när oljenivån i växellådan kommer under gränsnivån.

! OBSERVERA

Vi anser att de första fem körtimmarerna är inkörningsperiod för enheten. Kör på eller under 50% av wattbelastningen under inkörningsperioden och variera belastningen då och då för att låta statorspiralerna hettas upp och svalna av. Att justera belastningen kommer också att låta motorhastigheten att variera, vilket hjälper kolvringarna att sätta sig. Byt olja efter de första 5 timmarnas inkörningsperiod.



! OBSERVERA

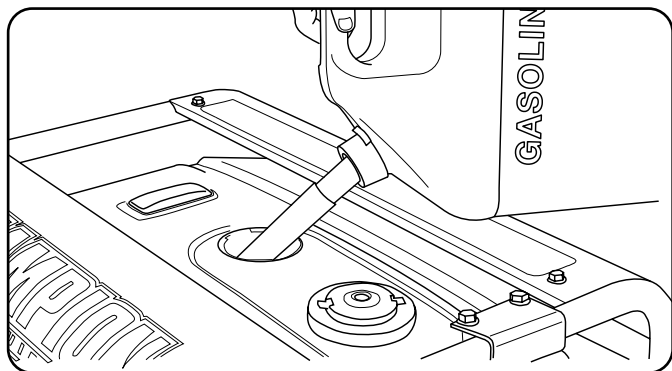
Vädret kommer att påverka motoroljan och dess funktion. Byt oljetyp för att anpassa till rådande väderlek och för att passa motorns behov.

! OBSERVERA

Syntetisk olja får användas efter de första 5 timmarnas inkörningsperiod. Använd av syntetisk olja förlänger inte det rekommenderade intervallet för byte av olja. Helt syntetisk 5W-30-olja underlättar start i kall omgivning <math>< 5\text{ }^\circ\text{C}</math> (41 °F).

Fyll på bränsle (bensin)

1. Använd rent, nytt, standard blyfritt bränsle med en lägsta oktanhalt på 85 och en etanolhalt på mindre än 10 % per volym. Blyfri bensin till bilen går bra att använda men alkylatbensin är bättre.
2. **BLANDA INTE** olja och bränsle.
3. Rengör området runt bränslelocket.
4. Skruva av bränslelocket.
5. Fyll försiktigt på bränsle i tanken. **ÖVERFYLL INTE**. Bränsle kan expandera efter påfyllning. Det krävs minst 6,4 mm (¼ in.) utrymme i tanken för bränsleexpansion och mer än 6,4 mm (¼ in.) rekommenderas. Bränsle kan tvingas ut ur tanke som en följd av expansion om det överfylls och det kan påverka en jämn drift av produkten. När tanken fylls på rekommenderas att lämna tillräckligt med utrymme för bränslet att expandera.



6. Skruva på bränslelocket och torka bort eventuellt spillt bränsle.

! FÖRSIKTIGHET

Använd vanlig oblyad bensin med en lägsta oktanhalt på 85.

Blanda inte olja och bensin.

Fyll upp tanken till ca 6,4 mm (¼ in.) från tankens överdel för att tillåta att bränslet expanderar.

PUMPA INTE bensin direkt in i generatoren på bensinstationen. Använd en godkänd behållare för att fylla på bränslet i generatoren.

FYLL INTE på bränsletanken inomhus.

FYLL INTE på bränsletanken när motorn är igång eller mycket varm.

ÖVERFYLL INTE bränsletanken.

TÄND INTE cigaretter eller rök när du fyller på bränsletanken.

Fyll på bränsle (bensin), forts.

! VARNING

Att fylla på bränslet för fort genom bränslesilen kan leda till att bränslet slår tillbaks på användaren under påfyllning.

! OBSERVERA

Våra motorer fungerar bra med 10 % eller mindre etanolblandat bränsle. Vid användning av bränsleblandningar är några saker värda att notera:

- Etanol- och bensinblandningar kan absorbera mer vatten än endast bensin.
- Dessa blandningar kan eventuellt separera och lämna vatten eller en vattenliknande geggga i tanken, bränsleventilen och förgasaren
- Med en bränsleförsörjning som matas genom gravitation kan detta försämrade bränsle dras in i förgasaren och orsaka skada på motorn och/eller orsaka potentiell fara.
- Det finns endast ett fåtal leverantörer av bränslestabilisatorer som kan hantera etanolblandat bränsle.
- Alla skador eller faror som uppkommer genom användning av olämpligt bränsle, dåligt förvarat bränsle och/eller dåligt fungerande stabilisatorer täcks inte av tillverkarens garanti.

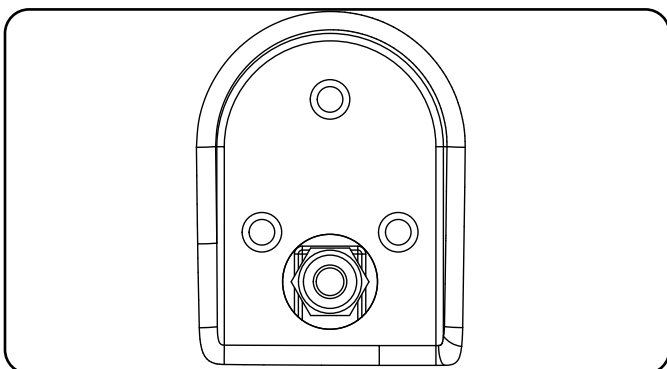
Det rekommenderas att stänga av bränsletillförseln och sedan köra motorn tills bränslet helt tar slut och helt tömma tanken om utrustningen har stått oanvänd i mer än 30 dagar.

Anslutning av gasoltub

1. Se till att bränsleventilen på generatoren är i av-läge.
2. Fäst gasolslangen (medföljer) på gasolslanganslutningen på generatorns sida och dra åt med en skiftnyckel.

Viktigt: Använd INTE tejp eller någon annan typ av tätningemedel för att tätas gasolslanganslutningen.

3. Ta bort säkerhetspluggen eller locket från cylinderventilen.
4. Anslut den andra änden av slangen till gasolkontakten på cylindern och dra åt den för hand.
5. Kontrollera alla anslutningar för läckage genom att applicera en lösning av tvål och vatten på beslagen. Bubblor som uppträder eller bubblor som växer indikerar att det finns en läcka. Om det finns en läcka vid ett beslag stänger du av gasventilen vid tanken och drar åt beslaget. Slå på gasen igen och kontrollera beslaget med tvål- och vattenlösning. Du får inte använda generatoren och kontakta kundtjänst om läckan finns kvar eller den inte finns vid ett beslag.



OBSERVERA

- Använd endast standardgasoltankar med 9 eller 13 kilos kapacitet med typ 1, Acme-gångor till höger.
- Verifiera att nykvalificeringsdatumet på tanken inte har förfallit.
- Alla nya cylindrar måste tömmas på luft och fukt före fyllning. Använda cylindrar som inte har täppts igen eller hållits stängda måste också rengöras.
- Tömningsprocessen måste utföras av en gasolleverantör. (Cylindrar från en bytesleverantör bör redan ha tömts och fyllts på korrekt).
- Placera alltid cylindern så att anslutningen mellan ventilen och gasinloppet inte orsakar tvära böjningar eller veck i slangen.

Anslutning av gasolcylinder, forts.

FÖRSIKTIGHET

Låt inte barn manipulera eller leka med cylinder eller slanganslutningarna.

! FÖRSIKTIGHET

Använd godkända gasolcylindrar utrustade med en OPD-ventil (överfyllningsskydd). Håll alltid cylindern i vertikal position med ventilen högst upp och installerad på marknivå på en plan yta. Cylindrar får inte installeras nära någon värmekälla och bör inte utsättas för sol, regn och damm. Stäng av cylinderventilen och bränsleventilen och koppla bort cylindern vid transport och lagring. Täpp igen utloppet, vanligtvis med ett plastlock, om finns. Håll cylindrar borta från värme och ventilerade när de är i ett fordon.

! VARNING

Om det finns en stark lukt av gas: Stäng av gasförsörjningen på cylindern. Använd tvål och vatten för att kontrollera slangen och anslutningarna på cylinderventilen och generatoren och som kommer att producera en stor bubbla vid läckagepunkten. Rök inte eller tänd en cigarett. Kontrollera inte heller läckor med hjälp av en tändsticka, öppen eldkälla eller tändare. Kontakta en kvalificerad tekniker för att inspektera och reparera gasolsystemet vid eventuellt läckage innan generatoren används.

Jordning

Din generator måste vara korrekt ansluten till lämplig jordning för att förhindra elektrisk chock.

! VARNING

Om generatoren inte jordas ordentligt kan det leda till elektrisk chock.

En jordningsterminal som är ansluten till ramen på generatoren finns på strömpanelen. För fjärrjordning, anslut en kraftig koppartråd (12 AWG minimum) mellan generatorns jordningsterminal och en kopparstång som körs ner i marken. Vi rekommenderar starkt att du talar med en kvalificerad elektriker för att säkerställa att detta tillvägagångssätt följer gällande lokala elektriska standarder.

Placering av generatorm

Använd aldrig generatorm inomhus! (Se avsnittet om säkerhetsvarningar.) I vissa områden måste generatorer registreras hos det lokala elbolaget. Generatorer som används på byggplatser kan lyda under ytterligare lokala bestämmelser. Placera på en platt jämn yta. Generatorer måste ha minst 1,5 m (5 ft) fritt avstånd från allt brännbart material. Dessutom måste de ha minst 1 m (ca 3 ft) fritt utrymme på alla sidor för att möjliggöra avkylning, underhåll och service. Generatorer bör aldrig startas eller användas på en plats som inte tillåter tillräcklig avkylning av generatorm och/eller ljuddämparen. Låt generatorer svalna innan de förvaras eller transporteras. Placera inte generatorm nära några ventiler eller luftintag. Undersök noggrant hur vind- och luftströmmar rör sig när du placerar generatorm. Om korrekta säkerhetsåtgärder inte följs riskerar det att tillverkarens garanti blir ogiltig.

Om korrekta säkerhetsåtgärder inte följs riskerar det att tillverkarens garanti blir ogiltig.

VARNING

Använd eller förvara inte generatorm i regn, snö eller våt väderlek.

Att använda en generator eller elektrisk apparat i våta omständigheter såsom regn och snö eller i närheten av en pool eller ett sprinklersystem eller när dina händer är våta kan leda till dödlig elektrisk chock.

VARNING

Under användning kommer ljuddämparen och avgaserna att bli heta. Om tillräcklig avkylning och luftutrymme inte finns eller om generatorm är blockerad eller instängd kan temperaturerna bli extremt höga och leda till brand.

Jordning

Generatorms jordningssystem ansluter ramen till jordterminalerna på strömpanelen. Jordningssystemet är anslutet till växelströmmens neutrala sladd.

Spänningskydd

FÖRSIKTIGHET

Spänningsvariationer kan störa korrekt funktion hos känslig elektronisk utrustning.

Elektroniska enheter, inklusive datorer och många programmerbara apparater, använder komponenter som är utformade för att fungera inom ett begränsat spänningsomfång och de kan påverkas av tillfälliga variationer i spänningen. Trots att det inte finns något sätt att förhindra tillfälliga variationer i spänningen så finns det sätt att skydda känslig utrustning.

1. *Installera ett UL1449-godkänt (SS-EN 61643-11) överspänningskydd på de uttag som förser din känsliga utrustning med ström.*

Överspänningskydd finns som enkeluttag eller multiuttag. De är utformade för att skydda mot i princip alla kortvariga spänningsvariationer.

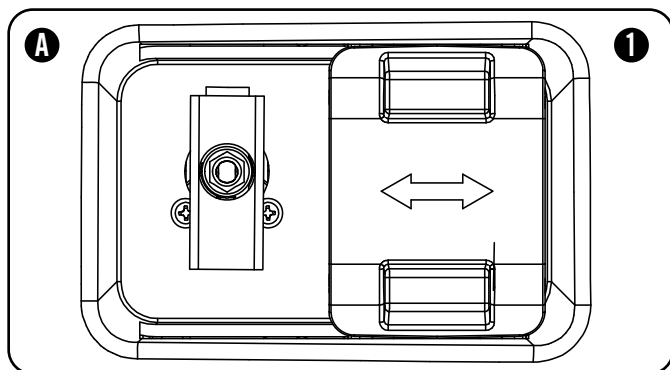
Bränsleväljare

Bränsleväljarens på generatorns framsida är speciellt utformad för att välja mellan önskad bränslekälla, bensin eller gasol.

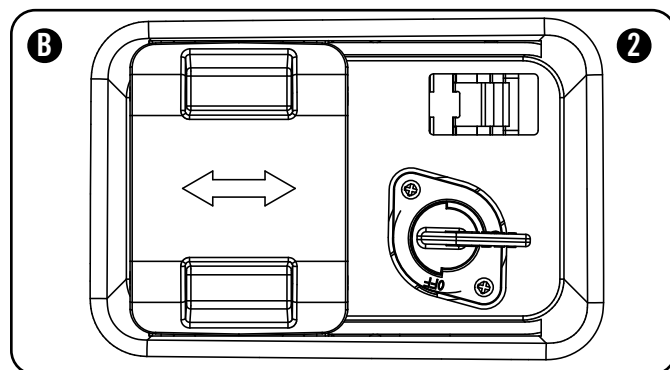
För att välja bränslekälla skjuter du locket på väljaren antingen till höger eller vänster, vilket kommer att avslöja bränsleventilen för det valda bränslet.

Gasolbränsleventilen (A) är till vänster om väljarlocket.

Bensinbränsleventilen (B) är till höger om väljarlocket.



När en bränslekälla har valts måste användaren vrida bränsleventilen till vertikal position för att öppna bränsleventilen. (1)



Ventilen måste befinna sig i vågrätt läge för att vrida bränsleventilen till av-läge. (2)

OBSERVERA

Bränsleväljarens lock är speciellt utformat för att inte glida åt någon sida när ett specifikt bränsle har valts och ventilen är i läge "ON". Locket kan endast glida från sida till sida när bränsleventilerna är i läge "OFF".

OBSERVERA

Bränsleväljaren låses på plats när ett klickljud hörs. Först då kan en bränsleventil vridas till vertikalt läge.

Starta motorn i omgivningstemperatur på >15 °C (59 °F)

Bensin

1. Se till att generatorn är placerad på en platt jämn yta.
2. Koppla ifrån all elektrisk belastning från generatorn. Starta eller stanna aldrig generatorn med några elektriska enheter anslutna eller påslagna.
3. Vrid bränsleventilen till läge "ON".
4. Flytta chokespaken till läge "100% Choke".
 - a. Flytta chokespaken till läge "75% choke" för att starta om en varm motor.
5. Tryck batteriomkopplaren till läge "ON".
6. Tryck tändningen till läge "ON".
7. ELEKTRISK START: Tryck ner och håll tändningen i läge "START". Släpp tändningen genast motorn startar. Om motorn inte startar inom fem sekunder, släpp tändningen och vänta i minst tio sekunder innan du försöker starta motorn på nytt.
8. START MED DRAGSNÖRE: Dra i startsnöret långsamt tills du känner motstånd och dra då snabbt.
9. Använd inte choken för mycket. Flytta chokespaken gradvis under 2-5 sekunder till läge "RUN" när motorn startar.

OBSERVERA

Håll inne chokespaken i läge "Choke" för endast ett drag med dragsnöret. Efter det första draget, flytta chokespaken till läge "Run" för de följande tre dragen med dragsnöret. För mycket choke leder till att tändstiften smutsas ner och motorn flödas på grund av bristen på inkommande luft. Det kommer att göra att motorn inte startar.

OBSERVERA

För omstart med varm motor i varm omgivning >30 °C (86 °F) håller du chokespaken i läge "75% Choke" under en dragning av dragsnöret. Efter det första draget, flytta chokespaken till läge "Run" för de följande tre dragen med dragsnöret. För mycket choke leder till att tändstiften smutsas ner och motorn flödas på grund av bristen på inkommande luft. Det kommer att göra att motorn inte startar.

OBSERVERA

För bensinstart i kall omgivning <15 °C (59 °F) måste choken vara i läge "100% choke" för både start med el och dragsnöre. Använd inte choken för mycket. Flytta chokespaken gradvis under 5-20 sekunder till läge "RUN" när motorn startar.

LPG

1. Se till att generatoren är placerad på en platt jämn yta.
2. Koppla ifrån all elektrisk belastning från generatoren. Starta eller stanna aldrig generatoren med några elektriska enheter anslutna eller påslagna.
3. Öppna gasolcylinderns knapp helt.
4. Vrid gasolbränsleventilen till läge "ON".
5. Tryck batteriomkopplaren till läge "ON".
6. Tryck tändningen till läge "ON".
7. ELEKTRISK START: Flytta chokespaken till läge "75% choke".
 - a. Flytta chokespaken till läge "75% choke" för att starta om en varm motor.
8. Tryck ner och håll tändningen i läge "START". Släpp tändningen genast motorn startar. Om motorn inte startar inom fem sekunder, släpp tändningen och vänta i minst tio sekunder innan du försöker starta motorn på nytt.
9. Använd inte choken för mycket. Flytta chokespaken gradvis under 2-5 sekunder till läge "RUN" när motorn startar.
10. START MED DRAGSNÖRE: Flytta chokespaken till läge "100% Choke".
 - a. Flytta chokespaken till läge "100% Choke" för att starta om en varm motor.
11. PULL-TO-PRIME: Dra i startsnöret långsamt tills du känner motstånd och dra då snabbt. Dra med "100% Choke" 1-2 gånger tills du känner ett antal förbränningsimpulser som indikerar att motorn startade tillfälligt.
12. Flytta chokespaken till läge "RUN".
13. Dra i startsnöret långsamt tills du känner motstånd och dra då snabbt.
14. Om motorn inte startar efter 1 dragning med choken i "RUN", flyttar du choken till "100% Choke" och upprepar steget PULL-TO-PRIME.

Att starta motorn, forts.

 **OBSERVERA**

För gasol som börjar i kall omgivning <math><15\text{ }^\circ\text{C}</math> (59 °F) Flytta chokespaken till läge "75% Choke" för elstart och "100% Choke" för start med dragsnöre. För elstart flyttar du chokespaken gradvis under 2-10 sekunder till läge "RUN". För pull-to-prime vid start med dragsnöre drar du 1-3 gånger med "100% Choke" tills du känner ett antal förbränningsimpulser som indikerar att motorn startade tillfälligt.

FÖRSIKTIGHET

Om tändningen hålls nere längre än 5 sekunder i läge "Start" kan det skada startaren.

 **OBSERVERA**

Om motorn startar, men inte fortsätter att gå, se till att generatoren verkligen står på en platt jämn yta. Motorn är försedd med en sensor för låg oljenivå som förhindrar att motorn körs när oljenivån kommer under den kritiska nivån.

 **OBSERVERA**

När batteriomkopplaren är i läge "ON" så tänds reglaget om batteriet skickar ut en laddning. Kontrollera att batteriet fortfarande är korrekt anslutet om reglaget inte tänds när batteriomkopplaren är i läge "ON".

 **OBSERVERA**

Det bifogade 12V 15AH-batteriet laddas när motorn körs, men det rekommenderas också att batteriet laddas helt åtminstone en gång i månaden.

Att starta motorn, forts.

OBSERVERA

Notera att frost på gasolbehållare och regulatorer är vanligt under drift och är normalt inte en indikation på ett problem. Gasol expanderar när den förångas och stiger från tanken till generatorns motor. Den mängd frost som bildas kan påverkas av behållarens storlek, mängden bränsle som används, luftfuktighet och andra driftsförhållanden. I ovanliga situationer kan frosten begränsa gasflödet till generatorn vilket resulterar i försämrad prestanda. Om tankens temperatur exempelvis sjunker till en mycket låg nivå, minskar också den hastighet vid vilken gasolen förångas, och kan inte ge tillräckligt med bränsle till motorn. Detta är inte en indikation på ett problem med generatorn, utan endast ett problem med gasflödet från gasolbehållaren. Om generatorns prestanda verkar försämrats samtidigt som isbildning upptäcks på tankventil, slang eller regulator, kan vissa åtgärder vidtas för att eliminera detta symptom.

I dessa sällsynta situationer kan det vara till hjälp att minska eller eliminera effekterna av det kalla bränslesystemet genom att göra något av följande:

- Byta bränsletankar för att låta den första tanken värmas upp och upprepa vid behov
- Placera gasolbehållaren i slutet av generatorn nära handtaget, där luft från motorfläkten strömmar ut från generatorn. Denna luft upphettas en aning när den flödar över motorn. Behållaren får inte placeras i ljuddämparens utloppsväg.
- Behållaren kan värmas tillfälligt genom att hålla varmt vatten över tankens ovansida.

Att stänga av motorn

1. Stäng av och koppla ur alla elektriska belastningar. Starta eller stanna aldrig generatorn med några elektriska enheter anslutna eller påslagna.
2. Låt generatorn köras utan belastning i några minuter för att stabilisera den interna temperaturen på motorn och generatorn.
3. Vrid bensinbränsleventilen till läge "OFF" om generatorn drivs med bensin.
4. Vrid gasolcylinderknoppen till läge "CLOSE" eller "av" om generatorn drivs med gasol.
5. Låt motorn köras tills bristen på bränsle stoppar motorn. Detta tar vanligtvis några minuter.
6. Vrid tändningen till läge "OFF".
7. Vrid batteriomkopplaren till läge "OFF".

Viktigt: Se alltid till att bränsleventilen och tändningen är i läge "OFF" när motorn inte används.

Att stänga av motorn, forts.

OBSERVERA

När du stänger av generatorn efter gasoldrift, kontrollera att gasolcylinderknoppen är i helt stängt läge.

OBSERVERA

Om motorn inte ska användas under period på två (2) veckor eller längre, vänligen se stycket "Förvaring" för korrekt förvaring av motor och bränsle.

Att ansluta elektrisk belastning

1. Låt motorn stabiliseras och värmas upp i några minuter efter start.
2. Koppla in och starta de önskade 220 volts, AC enkelfas, 50 Hz elektriska belastningarna.
 - ANSLUT INTE trefas belastningar till generatorn.
 - ANSLUT INTE några trefas-belastningar till generatorn.
 - ÖVERBELASTA INTE generatorn.

OBSERVERA

Att ansluta en generator till ditt elnät eller till någon annan kraftkälla kan strida mot lagen. Förutom detta kan det, om det görs felaktigt, skada din generator och dina apparater och dessutom orsaka allvarlig skada eller t.o.m. död för dig eller eventuella elektriker eller andra som arbetar på närliggande kraftledning. Om du tänker köra en portabel elektrisk generator under ett strömavbrott, vänligen meddela ditt elbolag omedelbart och kom ihåg att koppla in dina apparater direkt till generatorn. Koppla inte in generatorn i något uttag i ditt hem. Att göra detta kan skapa en koppling till elbolagets kraftledning. Du är ansvarig att se till att din generators elektricitet inte kopplas tillbaks in i elbolagets kraftledning. Om generatorn ska kopplas till en byggnads elektriska system ska du rådfråga ditt lokala elbolag eller en kvalificerad elektriker. Anslutningar måste isolera generatorkraften från kraften i elnätet och måste dessutom följa alla gällande lagar och regler.

Överbelasta inte generatorm

Kapacitet

Följ dessa enkla steg för att räkna ut vilken mängd watt som krävs för drift och start av de enheter du vill köra.

1. Välj de elektriska enheter som du tänker köra samtidigt.
2. Lägg ihop watt-talen för dessa enheter. Detta är den mängd watt som du behöver för att hålla dina enheter igång.
3. Notera det högsta watt-talet av de enheter som du valde i steg 1. Lägg till detta tal till summan du fick ihop i steg 2. Spänningsökning (extra watt) är den extra effekt som behövs för att starta vissa elektriskt drivna komponenter. Följ stegen i stycket "Strömhantering" för att säkerställa att endast en enhet i taget startas.

Strömhantering

Använd följande formel för att konvertera volt och ampere till watt:

$$\text{Volt} \times \text{Ampere} = \text{Watt}$$

Följ dessa steg för att förlänga livslängden på din generator och på inkopplade enheter när du ökar på den elektriska belastningen:

1. Starta generatorm utan någon elektrisk belastning inkopplad.
2. Låt motorn köras i några minuter för att stabiliseras.
3. Koppla in och starta den första enheten. Det är bäst att koppla på den enhet som har högst belastning först.
4. Låt motorn stabilisera sig.
5. Koppla in och starta nästa enhet.
6. Låt motorn stabilisera sig.
7. Upprepa steg 5-6 för varje extra enhet.

OBSERVERA

Överskrid aldrig den angivna kapaciteten när du lägger till fler belastande källor till generatorm.

Underhåll av ventilspel

Din Champion Power Equipment produkt är designad och testad för kontinuerlig drift i omgivande temperaturer upp till +40°C (104F) När du har behov av din produkt kan den användas i temperaturer från -15°C (5°F) till 50°C (122°F) under kortare perioder. Om produkten förvaras i temperature utanför detta temperaturspann bör den återföras till det spannet innan den används. Oavsett temperature skall den alltid användas utomhus på en väl-ventilerad plats på säkert avstånd från dörrar, fönster och andra luftintag.

UNDERHÅLL OCH FÖRVARING

Ägaren/användaren är ansvarig för allt periodiskt underhåll.

⚠ VARNING

Använd eller kör aldrig en skadad eller trasig generator.

⚠ VARNING

Att mixra med den fabriksinställda regulatören kommer att göra att garantin blir ogiltig.

⚠ VARNING

Olämpligt underhåll kommer att göra att garantin blir ogiltig.

💬 OBSERVERA

Underhåll, byte av delar eller reparation av avgaskontrollanordningar kan göras av valfri reparationsverkstad eller individ.

Genomför allt underhåll på utsatt tid. Rätta till alla problem innan generatören används.

Motorunderhåll

För att förebygga oavsiktlig start av motorn, ta bort och jorda sladden till tändstiftet innan underhåll genomförs.

Olja

Byt olja när motorn är varm. Se oljespecifikationen för att välja rätt oljekvalitet för din användningsmiljö.

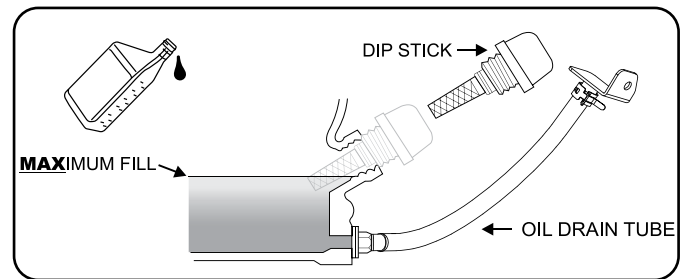
1. Ta bort bottenpluggen för tömning av oljan med en 15 mm hylsnyckel med förlängning (ingår inte).
2. Låt oljan tömmas helt.
3. Sätt tillbaks bottenpluggen.
4. Ta bort oljelocket och oljestickan för att fylla på olja.
5. Fyll på olja och återställ oljestickan och oljelocket. **ÖVERFYLL INTE.**
6. Kassera använd olja på en godkänd avfallshanteringsstation.

💬 OBSERVERA

När oljan har fyllts på bör en avsyning visa olja upp till ca 1-2 gånger från att rinna ut ur påfyllningshålet.

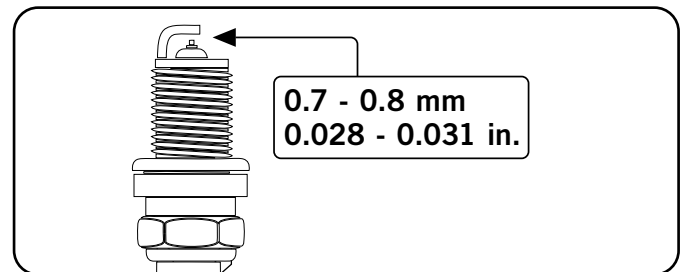
Om du använder en oljesticka för att kontrollera oljan ska du **INTE** skruva fast oljestickan när du gör kontrollen.

Olja, forts.



Tändstift

1. Ta bort sladden till tändstiftet.
2. Använd en tändstiftsnyckel (ingår inte) för att ta bort tändstiftet.
3. Kontrollera elektroden på tändstiftet. Den måste vara ren och inte sliten för att producera den gnista som krävs för tändning.



4. Kontrollera att tändstiftets mellanrum är 0,7-0,8 mm eller (0,028-0,031 in.).
5. Se diagrammet över rekommenderade tändstift vid byte av tändstift.
6. Sätt försiktigt tillbaks tändstiftet i motorn.
7. Använd ett tändstiftsverktyg (ingår inte) för att installera tändstiftet ordentligt.
8. Fäst sladden till tändstiftet.

OEM-Tändstift: F6RTC

Utbyteständstift: NGK BPR6ES eller motsvarande
Säkerställ att tändstiftets gap är 0,7-0,8 mm (0,028 – 0,031 in.)

Underhåll av ventilspel

- Inloppsventil: 0.13 - 0.17 mm (0.005 - 0.007 in.)
- Avgasventil: 0.18 - 0.22 mm (0.007 - 0.009 in.)

Luftfilter

1. Ta bort det fastknäppta skyddet som håller luftfiltret på plats.
2. Ta bort skumelementet.
3. Tvätta i flytande rengöringsmedel och vatten. Kläm noggrant i en torr och ren handduk.
4. Dränk i ren motorolja.
5. Kläm in ett torrt sugande tyg för att ta bort all överflödig olja.
6. Sätt tillbaks filtret på plats.
7. Sätt tillbaks skyddet och snäpp fast.

Gnistskydd

1. Låt motorn svalna helt innan du genomför underhåll på gnistskyddet.
2. Ta bort skruvarna som håller fast täckplåten som i sin tur håller fast gnistskyddet vid ljuddämparen.
3. Ta bort gnistskyddets skärm.
4. Ta försiktigt bort kolrester från gnistskyddets skärm med en stålborste.
5. Ersätt gnistskyddet om det är skadat.
6. Fäst gnistskyddet vid ljuddämparen med skruvarna.

! FÖRSIKTIGHET

Att inte rengöra gnistskyddet gör att motorns prestanda minskar.

Rengöring

! FÖRSIKTIGHET

SPRUTA INTE vatten på motorn.

Vatten kan kontaminera bränslesystemet.

Använd en fuktig trasa för att rengöra utsidan på motorn.

Använd en mjuk borste för att ta bort smuts och olja.

Använd en luftkompressor (25 PSI) för att ta bort smuts och skräp från motorn.

Justeringar

Luft-bränsleblandningen är inte justerbar. Att mixra med regulatorn kan skada din generator och dina elektriska apparater och gör garantin ogiltig.

Underhållsschema

Följ de underhållsintervall som anges i följande underhållsschema.

Genomför underhåll på din generator oftare om den används i ogynnsamma förhållanden.

Var åttonde timme eller dagligen	
	Kontrollera oljenivå
	Rengör runt luftintag och ljuddämpare
	Kontrollera slangar för läckage
De första fem timmarna	
	Byt olja
Var 50:e timme eller varje säsong	
	Rengör luftfilter
	Byt olja om generatoren ska köras under tung belastning eller i het miljö.
Var 100:e timme eller varje säsong	
	Byt olja
	Rengör/justera tändstift
	Kontrollera/justera ventilavstånd*
	Rengör gnistskydd
	Rengör bränsletank och filter*
Var 250:e timme	
	Rengör förbränningskammare*
Vart tredje år	
	Byt bränsleslang och gasolslang

*Ska utföras av kunniga, erfarna ägare eller av Champion Power Equipment-certifierade återförsäljare.

Generatorunderhåll

Se till att generatoren hålls ren och att den förvaras på lämpligt sätt. Använd endast enheten på en platt jämn yta i en ren, torr användningsmiljö. UTSÄTT INTE enheten för extrema omständigheter, överdrivet damm, smuts, fukt eller frätande ångor.

! FÖRSIKTIGHET

ANVÄND INTE en trädgårdsslang för att rengöra generatoren.

Vatten kan komma in i generatoren via avkylningsslitsarna och skada generatorens spiraler.

Använd en fuktig trasa för att rengöra utsidan på generatoren.

Använd en mjuk borste för att ta bort smuts och olja.

Använd en luftkompressor (25 PSI) för att ta bort smuts och skräp från generatoren.

Inspektera alla luftventiler och avkylningsslitsar för att säkerställa att de är rena och obehindrade.

UNDERHÅLL OCH FÖRVARING

Förvaring

Generatoren bör startas minst en gång var 14:e dag och köras i minst 20 minuter. För längre tids förvaring, vänligen följ dessa riktlinjer.

Generatorförvaring

1. Fyll på en lämplig bränslestabilisator i tanken.
2. Se till att alla apparater är frångkopplade från generatoren.
3. Kör generatoren ett par gånger så att det behandlade bränslet cirkulerar i bränslesystemet och förgasaren.
4. Vrid bränsleventilen till läge "OFF".
5. Låt motorn köras tills bristen på bränsle stoppar motorn. Detta tar vanligtvis några minuter.
6. Generatoren behöver kylas ned helt innan rengöring och förvaring.
7. Rengör generatoren enligt avsnittet om underhåll.
8. Byt oljan.
9. Ta bort tändstiftet och häll i ca 14,8 ml (1/2 ounce) olja i cylindern. Veva motorn försiktigt för att distribuera oljan och smörja cylindern.
10. Sätt tillbaks tändstiftet.
11. Förvara enheten på en ren, torr plats och inte i direkt solljus.

FARA

Generatoravgaser innehåller kolmonoxid som är en färglös och doftfri gas.

För att undvika oavsiktlig tändning av din elektriska startgenerator under förvaringsperioder bör följande förebyggande åtgärder tas:

- Se till att tändningen, bränsleventilen och batteriets omkopplare är i läge "OFF" när generatoren ska förvaras under kortare perioder.
- Se till att tändningen, bränsleventilen och batteriets omkopplare är i läge "OFF" och att batteriets pooler har kopplats bort från batteriet när generatoren ska förvaras under en längre tid.

Generatorbatteri

Denna produkt är utrustad med en automatisk batteriladdningsenhet. Batteriet laddas när motorn körs. Batteriet behåller bibehåller en lagom laddning om enheten används regelbundet (minst en gång varannan vecka). Om enheten används mindre ofta bör batteriet anslutas till en batteriladdare för att hålla batteriet lämpligt laddat. Om batteriet inte klarar av att starta motorn så kan den startas med hjälp av dragsnöret. Om batteriets spänning är extremt låg finns risk att laddningsenheten inte klarar att ladda batteriet. Om så är fallet måste batteriet anslutas till en konventionell batteriladdare för att laddas innan det kan användas.

Koppla ifrån batteriet

1. Ta bort det skyddande höljet från den svarta minuspoolen (-).
2. Koppla ifrån den svarta minuspoolen (-) från den svarta minusterminalen (-) på batteriet och spara lockskraven (M5x10) och muttern (M5).
3. Upprepa steg 1-2 för den röda pluspoolen (+).
4. Förvara batteriet på en sval torr plats.

Ladda batteriet

För generatorer som är utrustade med batterier för elektrisk start måste korrekt batteriunderhåll och batteriförvaring ske. En automatisk batteriladdare (ingår inte) med automatisk underhållsladdning bör användas för att ladda batteriet. Maximal laddningsstyrka bör inte överstiga 1,5 ampere. Följ de instruktioner som följer med batteriladdaren. Batteriet bör laddas fullt minst en gång i månaden.

OBSERVERA

En underhållsladdare kommer att bibehålla batteriet i gott skick under långa förvaringsperioder.

Problem	Orsak	Lösning
Generatorn startar inte	Inget bränsle	Fyll på bränsle
	Felaktigt tändstift	Byt ut tändstiftet
	Enheten var belastad under uppstart	Ta bort belastningen från enheten
Generatorn startar inte, Generatorn startar men går ojämnt	Låg oljenivå	Fyll på vevhuset till lämplig nivå Placera generatorn på en platt jämn yta
	Choken står i fel läge.	Justera choken.
	Sladden till tändstiftet är lös	Fäst sladden till tändstiftet
Generatorn startar inte elektriskt	Generatorbatteriet är dött	Ladda upp generatorbatteriet
	Batteriomkopplaren står i läge "OFF"	Vrid batteriomkopplaren till läge "ON".
Generatorn stängs av under drift	Slut på bränsle	Fyll bensintanken eller gasolcylindern
	Låg oljenivå	Fyll på vevhuset till lämplig nivå Placera generatorn på en platt jämn yta
Generatorn alstrar inte tillräckligt med ström eller överhettas	Generatorn är överbelastad	Kontrollera belastningen och justera. Se "Strömhantering"
	Otillräcklig ventilation	Kontrollera om luften hindras. Flytta generatorn till en väl ventilerad plats.
Ingen växelströmförsörjning	Sladdar inte korrekt anslutna	Kontrollera alla anslutningar
	Ansluten enhet fungerar inte	Byt ut den anslutna enheten
	Strömbrytaren är öppen	Återställ strömbrytaren
	Felaktigt borstaggregat	Ersätt borstaggregatet (service center)
	Felaktig AVR (automatisk voltregulator)	Ersätt AVR (service center)
	Lösa kablar	Kontrollera och sätt fast kabelanslutningar
Strömbrytaren utlöses upprepade gånger	Överbelastning	Kontrollera belastningen och justera. Se "Strömhantering"
	Felaktiga sladdar eller enhet	Kontrollera efter skadade, öppna eller fransiga sladdar. Byt ut den anslutna enheten

EINLEITUNG

Einführung

Herzlichen Glückwunsch zum Kauf Ihres Stromerzeugers. Bitte und pflegen Sie korrekt.

Mobiler Stromerzeuger

Dieses Gerät ist ein benzinbetriebener Wechselstromgenerator, der zur Stromversorgung verwendet wird.

Zubehör

CPE produziert und liefert eine Reihe von Zubehörteilen. Weitere Informationen erhalten Sie beim lokalen Händler.

Diese Broschüre

Wir behalten uns das Recht vor, das Produkt und dieses Handbuch ohne vorherige Ankündigung zu ändern, zu modifizieren oder zu verbessern.

Notieren Sie sich die Modell- und Seriennummern sowie Datum und Ort des Kaufs zur späteren Verwendung. Halten Sie diese Informationen bei der Bestellung von Teilen und bei technischen und/oder Garantieforderungen bereit.

Champion Power Equipment Support	
Modellnummer	
Seriennummer	
Kaufdatum	
Kaufort	
Für die Ölsorte siehe Abschnitt "Motoröl hinzufügen". Für die Kraftstoffart siehe Abschnitt "Kraftstoff hinzufügen".	

Bitte machen Sie sich mit den folgenden Symbolen vertraut. Das Sicherheitssymbol und die Schlüsselwörter sind Sicherheitshinweise. Befolgen Sie alle Sicherheitshinweise, um Unfälle und/ oder Verletzungen zu vermeiden.

GEFAHR

GEFAHR weist auf eine unmittelbar drohenden Gefahr hin, die, wenn sie nicht vermieden wird, zum Tod oder zu schweren Verletzungen führt.

WARNUNG

WARNUNG weist auf eine potenziell gefährliche Situation hin, die, wenn sie nicht vermieden wird, zu Tod oder schweren Verletzungen führen kann.

VORSICHT

VORSICHT weist auf eine potenziell gefährliche Situation hin, die, wenn sie nicht vermieden wird, zu leichten oder mittleren Verletzungen führen kann.

VORSICHT

VORSICHT, die ohne das Sicherheitswarnsymbol verwendet wird, weist auf eine potenziell gefährliche Situation hin, die, wenn sie nicht vermieden wird, zu Sachschäden führen kann.

HINWEIS

Wenn Sie Fragen zu Ihrem Generator haben, können wir Ihnen helfen. Bitte wenden Sie sich an Ihren Händler vor Ort.

SICHERHEITSVORSCHRIFTEN

WARNUNG

Lesen Sie diese Anleitung sorgfältig durch, bevor Sie Ihren Generator in Betrieb nehmen. Die Nichtbeachtung der Anweisungen kann zu schweren Verletzungen oder zum Tod führen.

WARNUNG

Der Motorabgase aus diesem Produkt enthalten Chemikalien, von denen bekannt ist, dass sie schwerwiegende Gesundheitsprobleme und sogar den Tod verursachen.

GEFAHR

Das Abgas des Generators enthält Kohlenmonoxid, ein farbloses, geruchloses Giftgas. Das Einatmen von Kohlenmonoxid verursacht Übelkeit, Schwindel, Ohnmacht oder Tod. Wenn Sie sich schwindelig oder schwach fühlen, gehen Sie sofort an die frische Luft.

Betreiben Sie den Generator im Freien nur in einem gut belüfteten Bereich. Betreiben Sie den Generator NICHT in einem Gebäude, einschließlich Garagen, Kellern und Schuppen, einem Gehäuse oder Abteil, einschließlich des Stauraums eines Wohnmobils. Lassen Sie KEINE Abgase durch Fenster, Türen, Lüftungsschlitze oder andere Öffnungen gelangen. **GEFAHR CARBON MONOXID: Die Verwendung eines Generators in Innenräumen kann Sie in wenigen Minuten töten.**

GEFAHR

Der Generator erzeugt eine starke Spannung.

Berühren Sie KEINE blanken Drähte oder Buchsen. Verwenden Sie KEINE Stromkabel, die abgenutzt, beschädigt oder ausgefranst sind. Betreiben Sie den Generator NICHT bei nassem Wetter. Lassen Sie KEINE Kinder oder nicht qualifizierte Personen den Generator bedienen oder warten. Verwenden Sie einen Fehlerstromschutzschalter (FI) in Feuchträumen und Bereichen, die leitfähiges Material enthalten, wie z. B. Metallböden. Verwenden Sie zugelassene Transfer-Geräte, um den Generator ins Stromnetz integrieren. Informieren Sie Ihr Versorgungsunternehmen, bevor Sie den Generator an Ihr Stromnetz anschließen.

WARNUNG

Funken können zu Bränden oder Stromschlägen führen.

Bei der Wartung des Generators:

Ziehen Sie das Zündkerzenkabel ab und legen Sie es dort ab, wo es die Kerze nicht berühren kann. Überprüfen Sie NICHT bei gezogener Kerze auf Zündung. Verwenden Sie nur zugelassene Zündkerzenprüfgeräte.

WARNUNG

Laufende Motoren erzeugen Wärme. Bei Kontakt können schwere Verbrennungen auftreten. Brennbare Materialien können bei Kontakt Feuer fangen.

Berühren Sie KEINE heißen Oberflächen. Vermeiden Sie den Kontakt mit heißen Abgasen. Lassen Sie das Gerät vor dem Berühren abkühlen. Halten Sie einen Abstand von 91,4 cm (3 ft.) auf allen Seiten ein, um eine ausreichende Kühlung zu gewährleisten. Halten Sie einen Abstand von mindestens 1,5m (5 ft.) zu brennbaren Materialien ein.

WARNUNG

Das schnelle Einziehen des Starterseils zieht Hand und Arm schneller zum Motor, als Sie loslassen können, was zu schweren Verletzungen führen kann.

Beim Anlassen des Motors das Starterseil langsam ziehen, bis ein Widerstand spürbar ist, und dann schnell ziehen, um Rückschläge zu vermeiden. Starten oder stoppen Sie den Motor NICHT, wenn elektrische Geräte angeschlossen sind.

VORSICHT

Eine Überschreitung der Betriebskapazität des Generators kann den Generator und/oder die daran angeschlossenen elektrischen Geräte beschädigen.

Überlasten Sie den Generator NICHT. Starten Sie den Generator und lassen Sie den Motor sich stabilisieren, bevor Sie elektrische Verbraucher anschließen. Schließen Sie die elektrischen Geräte in der Aus-Stellung an und schalten Sie sie dann zur Bedienung ein. Schalten Sie die elektrischen Geräte aus, bevor Sie den Generator stoppen. Manipulieren Sie NICHT die regulierte Geschwindigkeit. Nehmen Sie KEINE Modifikationen am Gerät vor.

VORSICHT

Unsachgemäße Behandlung oder Verwendung des Generators kann ihn beschädigen, seine Lebensdauer verkürzen und zum Erlöschen der Garantie führen.

Verwenden Sie den Generator nur für den bestimmungsgemäßen Gebrauch. Betreiben Sie das Gerät nur auf ebenen Flächen. Setzen Sie den Generator NICHT übermäßiger Feuchtigkeit, Staub oder Schmutz aus. Lassen Sie kein Material die Kühlschlitze blockieren. Wenn sich angeschlossene Geräte überhitzen, schalten Sie sie aus und trennen Sie sie vom Generator.

Verwenden Sie den Generator NICHT, wenn:

- Elektrische Leistung verloren geht
- Equipment Funken erzeugt, raucht oder brennt
- Equipment übermäßig vibriert

WARNUNG

Der Betrieb dieses Geräts kann Funken erzeugen, die in der Umgebung von trockener Vegetation Brände auslösen können.

Gegebenenfalls ist eine Funkensperre erforderlich. Der Betreiber sollte sich für Gesetze oder Vorschriften in Bezug auf Brandschutzanforderungen an die örtlichen Brandschutzbehörden wenden.

WARNUNG

Medizinische und lebenserhaltende Anwendungen.

Rufen Sie im Notfall sofort den Notfalldienst an. Verwenden Sie dieses Produkt NIEMALS zur Stromversorgung von lebenserhaltenden Geräten oder lebenserhaltenden Geräten. Verwenden Sie dieses Produkt NIEMALS zur Stromversorgung von Medizinprodukten oder medizinischen Geräten. Informieren Sie sofort Ihren Stromversorger, wenn Sie oder jemand in Ihrem Haushalt auf elektrische Geräte zum Leben angewiesen ist. Informieren Sie sofort Ihren Stromversorger, wenn ein Stromausfall dazu führen würde, dass Sie oder jemand in Ihrem Haushalt einen medizinischen Notfall erleidet.

Kraftstoffsicherheit

GEFAHR

BENZIN, BENZINDÄMPFE UND FLÜSSIGGAS (LPG) SIND HOCHENTZÜNDLICH UND EXPLOSIV.

Feuer oder Explosion kann zu schweren Verbrennungen oder zum Tod führen. Eine unbeabsichtigte Inbetriebnahme kann zu traumatischen Amputationen oder Schnittwunden führen.

Benzin und Benzindämpfe (Benzin):

- BENZIN IST HOCHENTZÜNDLICH UND EXPLOSIV.
- Benzin kann bei Entzündung einen Brand oder eine Explosion verursachen.
- Benzin ist ein flüssiger Kraftstoff, aber seine Dämpfe können sich entzünden.
- Benzin ist ein hautreizendes Mittel und muss sofort gereinigt werden, wenn es auf Haut oder Kleidung verschüttet wird.
- Benzin hat einen ausgeprägten Geruch, der dazu beiträgt, mögliche Undichtigkeiten schnell zu erkennen.
- Bei einem Benzinbrand sollten die Flammen nicht gelöscht werden, es sei denn, das Kraftstoffversorgungsventil kann dadurch ausgeschaltet werden. Denn wenn ein Feuer gelöscht wird und eine Kraftstoffzufuhr nicht abgeschaltet wird, kann eine Explosionsgefahr entstehen. -
- Benzin dehnt sich aus oder zieht sich mit den Umgebungstemperaturen zusammen. Füllen Sie den Kraftstofftank niemals bis zur vollen Kapazität, da der Kraftstoff bei steigenden Temperaturen Platz zum Ausdehnen benötigt.

Flüssiges Propangas:

- FLPG (PROPAN) IST HOCHENTZÜNDLICH UND EXPLOSIV.
- Entzündbares Gas unter Druck kann bei Entzündung einen Brand oder eine Explosion verursachen.
- LPG (Propan) ist schwerer als Luft und kann sich an niedrigen Stellen absetzen, während es sich auflöst.
- LPG (Propan) hat einen ausgeprägten Geruch, der dazu beiträgt, mögliche Lecks schnell zu erkennen.
- Bei einem Propangasbrand sollten die Flammen nicht gelöscht werden, es sei denn, dadurch kann das Kraftstoffversorgungsventil ausgeschaltet werden. Denn wenn ein Feuer gelöscht wird und eine Kraftstoffzufuhr nicht abgeschaltet wird, kann eine Explosionsgefahr entstehen.
- Beim Austausch von Flüssiggasflaschen ist darauf

zu achten, dass das Flaschenventil vom gleichen Typ ist. Halten Sie den LPG-Zylinder immer in aufrechter Position.

- LPG verbrennt die Haut, wenn es mit ihr in Berührung kommt. Halten Sie LPG jederzeit von der Haut fern.

Beim Hinzufügen oder Entfernen von Kraftstoff:

Schalten Sie den Generator aus und lassen Sie ihn mindestens zwei Minuten abkühlen, bevor Sie den Tankdeckel entfernen. Lösen Sie die Kappe langsam, um den Druck im Tank abzubauen.

Füllen oder entleeren Sie Kraftstoff nur im Freien in einem gut belüfteten Bereich. Füllen Sie KEIN Benzin direkt in den Generator an der Tankstelle. Verwenden Sie einen zugelassenen Behälter, um den Kraftstoff zum Generator zu transportieren. Den Kraftstofftank NICHT überfüllen. Halten Sie den Kraftstoff immer fern von Funken, offenen Flammen, Kontrollleuchten, Hitze und anderen Zündquellen. Zünden oder rauchen Sie keine Zigaretten.

Beim Starten des Generators:

Versuchen Sie NICHT, einen beschädigten Generator zu starten. Vergewissern Sie sich, dass Tankdeckel, Luftfilter, Zündkerze, Kraftstoffleitungen und Abgassystem ordnungsgemäß angebracht sind. Lassen Sie verschütteten Kraftstoff vollständig verdunsten, bevor Sie versuchen, den Motor zu starten. Achten Sie darauf, dass der Generator fest auf ebenem Boden steht.

Beim Betrieb des Generators:

Bewegen oder kippen Sie den Generator während des Betriebs NICHT. Den Generator NICHT kippen oder Kraftstoff oder ÖL auslaufen lassen.

Beim Transport oder Wartung des Generators:

Vergewissern Sie sich, dass sich das Kraftstoffabsperrventil in der Aus-Stellung befindet und der Kraftstofftank leer ist. Ziehen Sie das Zündkerzenkabel ab.

Bei der Lagerung des Generators:

Lagern Sie das Gerät fernab von Funken, offenen Flammen, Kontrollleuchten, Hitze und anderen Zündquellen.

WARNUNG

Verwenden Sie niemals einen Benzinbehälter, einen LPG-Anschlussschlauch, einen Benzintank, eine LPG-Flasche oder einen anderen Kraftstoffbehälter, der beschädigt ist oder beschädigt erscheint.

Ihr Generator benötigt eine gewisse Montage. Dieses Gerät wird ab Werk ohne Öl ausgeliefert. Vor dem Betrieb muss er ordnungsgemäß mit Kraftstoff und Öl gewartet werden. Wenn Sie Fragen zur Montage Ihres Generators haben, wenden Sie sich bitte an Ihren Händler vor Ort. Bitte halten Sie Ihre Seriennummer und Modellnummer bereit.

Entfernen Sie den Generator aus dem Versandkarton

1. Stellen Sie den Versandkarton auf eine feste, ebene Fläche.
2. Entfernen Sie alles aus dem Karton mit Ausnahme des Generators.
3. Entfernen Sie den Generator vorsichtig mit den Tragegriffen des Gerätes aus der Box. (es wird empfohlen, dass zwei Personen anheben)

Montieren der Räder - 1 (ausgewählte Modelle)

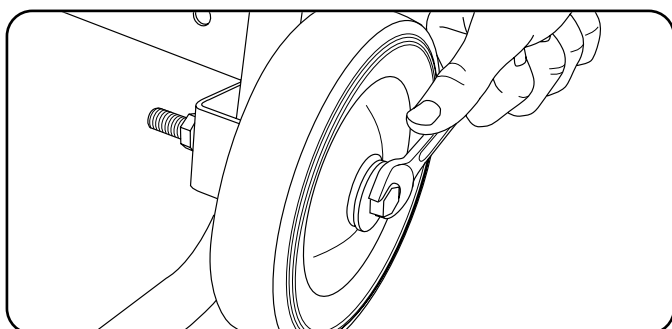
! Vorsicht

Der Radsatz ist nicht für den Einsatz auf der Straße bestimmt.

Für die Montage der Räder benötigen Sie die folgenden Werkzeuge: (nicht im Lieferumfang enthalten)

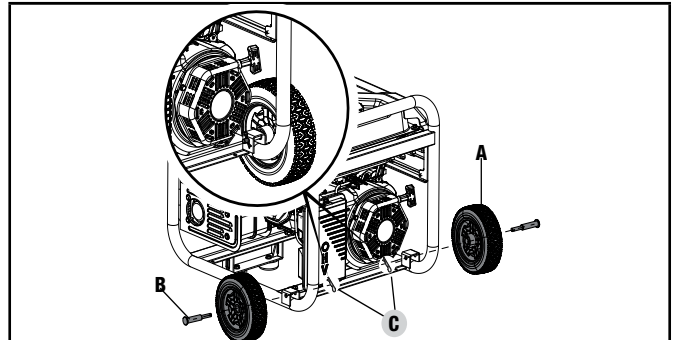
- Verstellbarer Schraubenschlüssel
- Steckschlüssel
- Zange

1. Bevor Sie Kraftstoff und Öl hinzufügen, kippen Sie den Generator auf die Seite.
2. Schieben Sie die Radschraube durch die Unterlegscheibe, die Buchse und das Rad.
3. Schieben Sie die Schraube durch den Befestigungspunkt am Rahmen.
4. Befestigen Sie es sicher mit der Kontermutter.
5. Wiederholen Sie die Schritte 2-4, um das zweite Rad zu befestigen.



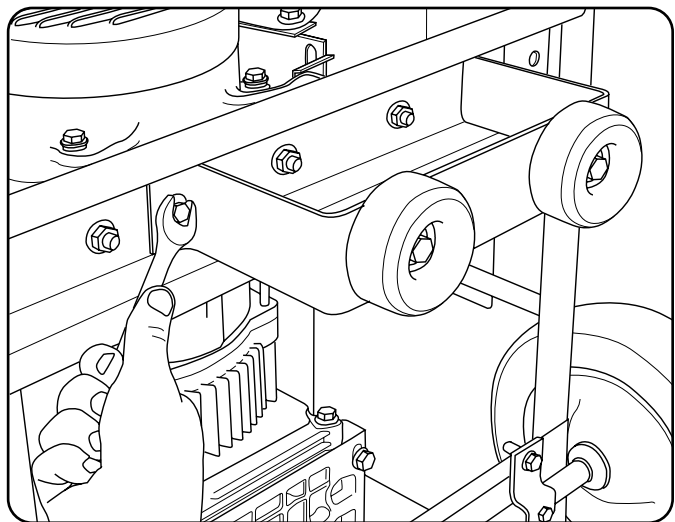
Montieren der Räder - 2 (ausgewählte Modelle)

1. Bevor Sie Kraftstoff und Öl hinzufügen, kippen Sie den Generator auf die Seite des Seilzug-Starters.
2. Schieben Sie den Rollenbolzen (B) von außen durch das Rad (A).
3. Schieben Sie den Rollenbolzen durch den.
4. Mit dem r-Clip (C) sichern.
5. Wiederholen Sie die Schritte 2-4, um das zweite Rad zu befestigen.



Stützfuß montieren

1. Befestigen Sie den Stützbein am Generatorrahmen mit Flanschschraube und Flanschkontermutter.
2. Kippen Sie den Generator langsam, so dass er auf den Rädern und dem Stützbein aufliegt.



Montieren des Griffs (ausgewählte Modelle)

1. Setzen Sie den Griff über die Montagebohrung am Rahmen.
2. Befestigen Sie den Griff mit den beiden Schrauben am Rahmen.
3. Setzen Sie die Kontermutter auf das Ende jeder Schraube und ziehen Sie sie fest. Ziehen Sie die Kontermuttern NICHT zu fest an.

INBETRIEBNAHME

Anschließen der Batterie

1. Entfernen Sie die Schutzabdeckung vom roten (+) Kabel am Akku.
2. Befestigen Sie die rote (+)Leitung an der roten (+)-Klemme an der Batterie mit der Flanschschraube und sichern Sie sie mit der Flanschmutter.
3. Wiederholen Sie die Schritte 1-2 für das schwarze (-) Batteriekabel.

Motoröl hinzufügen

! VORSICHT

Versuchen Sie NICHT, den Motor zu kurbeln oder zu starten, bevor er nicht ordnungsgemäß mit der empfohlenen Art und Menge an Öl gefüllt wurde. Schäden am Generator, die durch Nichtbeachtung dieser Anweisungen verursacht werden, führen zum Erlöschen der Garantie.

HINWEIS

Der Generatorrotor verfügt über ein abgedichtetes, vorgeschmiertes Kugellager, das während der gesamten Lebensdauer des Lagers keine zusätzliche Schmierung benötigt.

HINWEIS

Die empfohlene Ölart ist 10W-30 Automobilöl.

1. Stellen Sie den Generator auf eine ebene, ebene Fläche.
2. Öleinfülldeckel/Messstab entfernen, um Öl hinzuzufügen.
3. Öl nachfüllen und Öleinfülldeckel/Messstab wieder einsetzen. NICHT ÜBERFÜLLEN.
4. Den Motorölstand täglich überprüfen und bei Bedarf nachfüllen.

HINWEIS

Nach dem Einfüllen des Öls sollte eine Sichtkontrolle zeigen, dass das Öl ca. 1-2 Gewindegänge aus der Einfüllöffnung ausläuft. Wenn Sie den Ölmesstab zur Ölstandskontrolle verwenden, schrauben Sie den Ölmesstab während der Kontrolle NICHT ein.

Motoröl hinzufügen Fortsetzung

HINWEIS

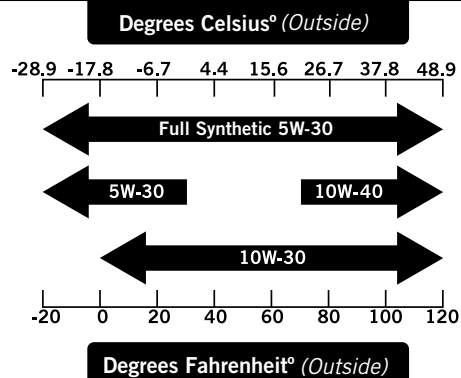
Überprüfen Sie das Öl regelmäßig während der Einlaufphase. Empfohlene Wartungsintervalle finden Sie im Abschnitt Wartung.

VORSICHT

Der Motor ist mit einer Niedrig-Öl-Abschaltung ausgestattet und stoppt, wenn der Ölstand im Kurbelgehäuse den Schwellenwert unterschreitet.

HINWEIS

Wir betrachten die ersten 5 Stunden der Betriebszeit als Einlaufzeit für das Gerät. Während der Einlaufzeit bleiben Sie bei oder unter 50% der Betriebsleistung und variieren Sie die Last gelegentlich, damit die Statorwicklungen heizen und kühlen können. Das Anpassen der Last führt auch dazu, dass sich die Motordrehzahl ändert und die Kolbenringe sich setzen können. Nach der 5-stündigen Einlaufzeit das Öl wechseln.



HINWEIS

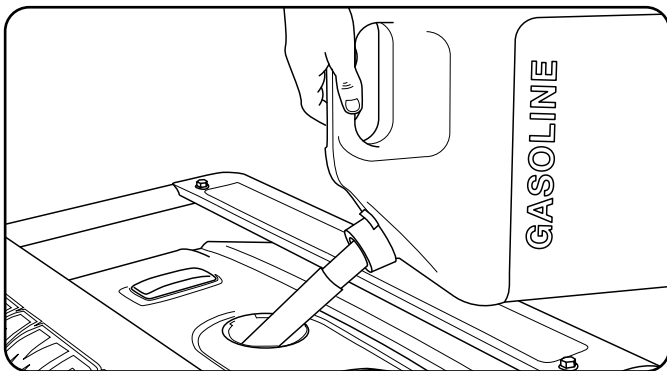
Das Wetter wird sich auf das Motoröl und die Motorleistung auswirken. Ändern Sie die Art des verwendeten Motoröls je nach Wetterlage entsprechend den Anforderungen des Motors.

HINWEIS

Synthetisches Öl kann nach der anfänglichen Einarbeitungszeit von 5 Stunden verwendet werden. Die Verwendung von synthetischem Öl verlängert nicht das empfohlene Ölwechselintervall. Vollsynthetisches 5W-30 Öl hilft beim Starten in kalter Umgebung <5°C (41°F).

Kraftstoff hinzufügen

1. Verwenden Sie sauberen, frischen, regelmäßigen bleifreien Kraftstoff mit einem Oktanzahl von mindestens 85 und einem Ethanolgehalt von weniger als 10 Vol.-%.
2. Mischen Sie KEIN Öl mit Kraftstoff.
3. Reinigen Sie den Bereich um den Tankdeckel.
4. Entfernen Sie den Tankdeckel.
5. Geben Sie den Kraftstoff langsam in den Tank. NICHT ÜBERFÜLLEN. Der Kraftstoff kann sich nach dem Befüllen ausdehnen. Ein Minimum von 1/4 Zoll. (6,4 mm) des im Tank verbleibenden Raums für die Kraftstoffausdehnung wird benötigt, mehr als 1/4 Zoll.(6,4 mm) wird empfohlen. Bei Überfüllung kann Kraftstoff durch Expansion aus dem Tank gedrückt werden und den stabilen Betriebszustand des Produkts beeinträchtigen. Beim Befüllen des Tanks wird empfohlen, genügend Platz für die Ausdehnung des Kraftstoffs zu lassen.



6. Schrauben Sie den Tankdeckel wieder auf und wischen Sie ggf. verschütteten Kraftstoff ab.

! VORSICHT

Verwenden Sie bleifreies Normalbenzin mit einer Oktanzahl von mindestens 85.

Mischen Sie kein Öl und Benzin. Füllen Sie den Tank auf ca. 1/4 Zoll. (6,4 mm) unter der Oberseite des Tanks, um eine Kraftstoffausdehnung zu ermöglichen. Pumpen Sie KEIN Benzin direkt in den Generator an der Tankstelle. Verwenden Sie einen zugelassenen Behälter, um den Kraftstoff zum Generator zu transportieren. Füllen Sie den Kraftstofftank NICHT im Innenbereich. Den Kraftstofftank NICHT füllen, wenn der Motor läuft oder heiß ist. Den Kraftstofftank NICHT überfüllen. Beim Befüllen des Kraftstofftanks KEINE Zigaretten anzünden oder rauchen.

Kraftstoff hinzufügen (Fortsetzung)

! WARNUNG

Wenn Sie den Kraftstoff zu schnell durch das Kraftstoffsieb gießen, kann es beim Befüllen zu einem Rückschlag in Richtung des Bedieners kommen.

! HINWEIS

Unsere Motoren funktionieren gut mit 10% oder weniger Ethanolmischkraftstoffen. Bei der Verwendung von Mischbrennstoffen gibt es einige Besonderheiten zu beachten::

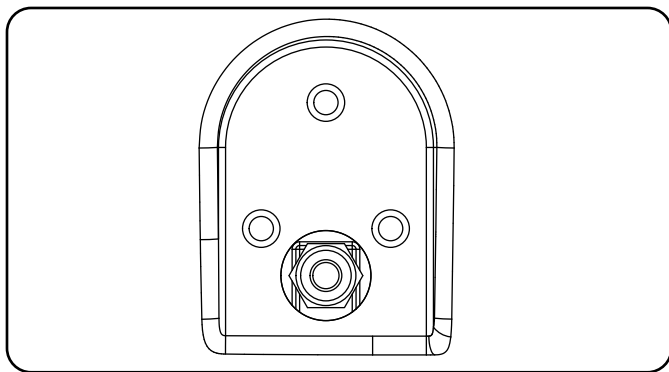
- EEthanol-Benzin-Gemische können mehr Wasser aufnehmen als Benzin allein.
- Diese Mischungen können sich schließlich trennen und Wasser oder einen wässrigen Schmiere im Tank, Kraftstoffventil und Vergaser zurücklassen.
- Bei schwerkraftgespeisten Kraftstoffzuführungen kann dieser gefährdete Kraftstoff in den Vergaser gesaugt werden und zu Schäden am Motor und/oder möglichen Gefahren führen.
- Es gibt nur wenige Anbieter von Kraftstoffstabilisatoren, die für den Einsatz mit Ethanolmischkraftstoffen entwickelt wurden.
- Jegliche Schäden oder Gefahren, die durch die Verwendung von unsachgemäßem Kraftstoff, unsachgemäß gelagertem Kraftstoff und/oder anderen Materialien verursacht werden.oder falsch formulierte Stabilisatoren, fallen nicht unter die Herstellergarantie.

Es ist ratsam, die Kraftstoffzufuhr immer abzuschalten, den Motor auf Kraftstoffmangel einzustellen und den Tank zu entleeren, wenn das Gerät länger als 30 Tage nicht benutzt wird.

INBETRIEBNAHME

Anschluss des Propan-(LPG)-Zylinders

1. Stellen Sie sicher, dass sich das Kraftstoffventil am Generator in der Aus-Stellung befindet.
2. Befestigen Sie den LPG-Schlauch (im Lieferumfang enthalten) am LPG-Schlauchanschluss an der Seite des Generators und ziehen Sie ihn mit einem Schraubenschlüssel an. Wichtig: Verwenden Sie KEIN Klebeband oder eine andere Art von Dichtungsmittel, um die LPG-Schlauchverbindung abzudichten.
3. Entfernen Sie den Sicherheitsstopfen oder die Kappe vom Flaschenventil.
4. Befestigen Sie das andere Ende des Schlauchs am LPG-Anschluss der Flasche und ziehen Sie es von Hand fest.
5. Überprüfen Sie alle Anschlüsse auf Dichtheit, indem Sie die Armaturen mit einer Lösung aus Seife und Wasser benetzen. Auftretende Blasen oder wachsende Blasen zeigen an, dass ein Leck vorliegt. Wenn an einer Armatur ein Leck vorliegt, schalten Sie das Gasventil am Tank aus und ziehen Sie die Armatur fest. Schalten Sie das Gas wieder ein und überprüfen Sie die Armatur erneut mit der Seifen- und Wasserlösung. Wenn das Leck weiter besteht oder wenn sich das Leck nicht an einer Armatur befindet, verwenden Sie den Generator nicht und wenden Sie sich an den Kundendienst.



VORSICHT

Lassen Sie Kinder nicht an den Flaschen- oder Schlauchanschlüssen manipulieren oder spielen.

Anschluss des Propan-(LPG)-Zylinders (Fortsetzung)

HINWEIS

- Verwenden Sie nur Standard-Tanks.
- Überprüfen Sie, ob das Datum der Wiederholungsprüfung am Tank noch nicht abgelaufen ist.
- Alle neuen Flaschen müssen vor dem Befüllen von Luft und Feuchtigkeit befreit werden. Gebrauchte Zylinder, die nicht verschlossen oder geschlossen gehalten wurden, müssen ebenfalls gespült werden.
- Der Spülvorgang sollte von einem Flüssiggaslieferanten durchgeführt werden. (Flaschen von einem Tauschlieferanten sollten bereits gespült und ordnungsgemäß befüllt worden sein).
- Positionieren Sie den Zylinder immer so, dass die Verbindung zwischen dem Ventil und dem Gaseinlass keine starken Biegungen oder Knicke im Schlauch verursacht.

! VORSICHT

Verwenden Sie zugelassene Flüssiggasflaschen, die mit einem OPD-Ventil (Überfüllsicherung) ausgestattet sind. Halten Sie den Zylinder immer in einer vertikalen Position mit dem Ventil nach oben und installieren Sie ihn ebenerdig auf einer ebenen Fläche. Die Zylinder dürfen nicht in der Nähe von Wärmequellen installiert werden und dürfen keiner Sonne, keinem Regen und Staub ausgesetzt sein. Schalten Sie beim Transport und bei der Lagerung das Flaschenventil und das Kraftstoffventil aus und trennen Sie die Flasche. Schrauben Sie die Kunststoff-Verschlusskappe an. Halten Sie die Flasche im Fahrzeug von Hitze und Lüftung fern.

! WARNUNG

Wenn es einen starken Geruch von Gas gibt: Sperren Sie die Gaszufuhr an der Flasche ab. Verwenden Sie Seifenwasser, um das Leck zu orten. Überprüfen Sie Schlauch und die Anschlüsse am Flaschenventil und am Generator. Rauchen oder entzünden Sie keine Zigarette und überprüfen Sie sie nicht mit einem Streichholz, einer offenen Flamme oder einem Feuerzeug auf Undichtigkeiten. Wenden Sie sich vor der Verwendung des Generators an einen qualifizierten Techniker, um das LPG-System zu überprüfen und zu reparieren, wenn ein Leck festgestellt wird.

Erdung

Ihr Generator muss ordnungsgemäß an eine geeignete Erdung angeschlossen sein, um einen elektrischen Schlag zu vermeiden.

WARNUNG

Eine unzureichende Erdung des Generators kann zu einem elektrischen Schlag führen.

Eine Erdungsklemme, die mit dem Rahmen des Generators verbunden ist, ist auf dem Fronpanel vorgesehen. Für die Fernerdung verbinden Sie einen Kupferdraht mit einer Länge von schwerem Durchmesser (mindestens 12 AWG) zwischen dem Generator- Masseanschluss und einer in die Erde eingetriebenen Kupferstange. Wir empfehlen dringend, dass Sie sich an einen qualifizierten Elektriker wenden, um die Einhaltung der örtlichen Vorschriften zu gewährleisten.

Standort des Generators

Betreiben Sie den Generator niemals in einem Gebäude! (Siehe Abschnitt Sicherheitshinweise). In einigen Bereichen müssen Generatoren beim örtlichen Versorgungsunternehmen registriert werden. Generatoren, die auf Baustellen eingesetzt werden, können den örtlichen Vorschriften und Vorschriften unterliegen. Das Gerät auf einem flachen, ebenen Untergrund aufstellen. Der Generator muss einen Mindestabstand von 1,5 m (5 ft) zu allen brennbaren Materialien aufweisen. Darüber hinaus müssen sie auf allen Seiten einen Freiraum von mindestens 91,4 cm (3 ft) gewährleisten, um eine ausreichende Kühlung, Wartung und Instandhaltung zu ermöglichen. Generatoren sollten niemals an einem Ort gestartet oder betrieben werden, der eine ausreichende Kühlung des Generators und/oder des Auspuffs nicht zulässt. Lassen Sie die Generatoren vor der Lagerung oder dem Transport abkühlen. Stellen Sie den Generator nicht in der Nähe von Lüftungsschlitzen oder Einlässen auf. Bei der Aufstellung des Generators sind Wind- und Luftströme sorgfältig zu berücksichtigen.

Bei Nichtbeachtung der entsprechenden Sicherheitsvorkehrungen kann die Herstellergarantie erlöschen.

WARNUNG

Betreiben oder lagern Sie den Generator nicht bei Regen, Schnee oder Nässe.

Die Verwendung eines Generators oder eines elektrischen Geräts bei nassen Bedingungen, wie Regen oder Schnee, oder in der Nähe eines Beckens oder einer Sprinkleranlage, oder wenn Ihre Hände nass sind, kann zu einem Stromschlag führen.

WARNUNG

Während des Betriebs werden der Schalldämpfer und die entstehenden Abgase heiß. Werden keine ausreichenden Kühl- und Atemräume zur Verfügung gestellt, oder ist der Generator blockiert oder eingedämmt, können sich die Temperaturen stark erwärmen und zu Bränden führen.

Erdung

Die Masse des Generatorsystems verbindet den Rahmen mit den Erdungsklemmen auf dem Bedienfeld. Die Systemmasse ist mit dem AC-Neutralleiter verbunden.

Überspannungsschutz

VORSICHT

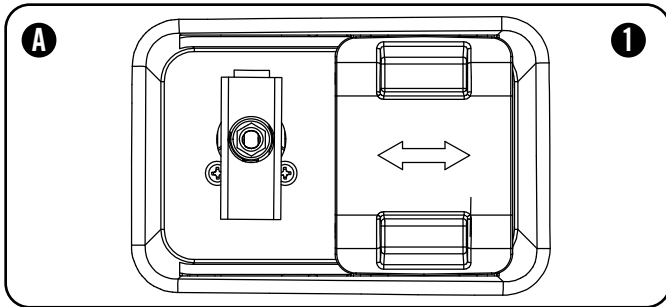
Spannungsschwankungen können die einwandfreie Funktion empfindlicher elektronischer Geräte beeinträchtigen.

Elektronische Geräte, einschließlich Computer und viele programmierbare Geräte, verwenden Komponenten, die für den Betrieb innerhalb eines engen Spannungsbereichs ausgelegt sind und von kurzzeitigen Spannungsschwankungen beeinträchtigt werden können. Obwohl es keine Möglichkeit gibt, Spannungsschwankungen zu verhindern, können Sie Maßnahmen zum Schutz empfindlicher elektronischer Geräte ergreifen.

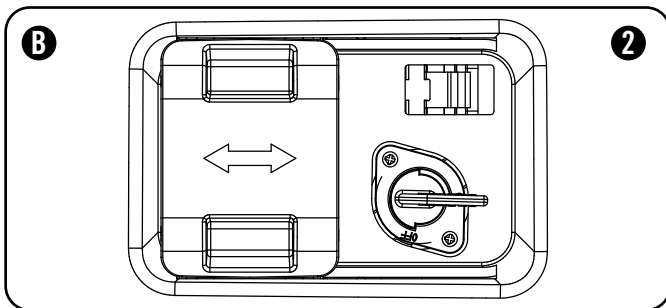
Installieren Sie UL1449, CSA-gelistete, steckbare Überspannungsableiter an den Anschlüssen, die Ihre empfindlichen Geräte versorgen. Überspannungsableiter gibt es in Ausführungen mit einem oder mehreren Ausgängen. Sie wurden entwickelt, um gegen nahezu alle kurzzeitigen Spannungsschwankungen zu schützen.

Kraftstoffwählschalter

Der Kraftstoffwählschalter auf der Vorderseite des Generators wurde speziell entwickelt, um zwischen der gewünschten Kraftstoffquelle, Benzin oder Flüssiggas, zu wählen. Um eine Kraftstoffquelle auszuwählen, schieben Sie einfach die Schalterabdeckung nach rechts oder links, und schon wird das Kraftstoffventil des ausgewählten Kraftstoffs freigelegt. Das LPG-Kraftstoffventil (A) befindet sich links neben der Schalterabdeckung. Das Benzin-Kraftstoffventil (B) befindet sich rechts neben der Schalterabdeckung.



Sobald eine Kraftstoffquelle ausgewählt wurde, muss der Benutzer das Kraftstoffventil in die vertikale Position drehen, um das Kraftstoffventil zu öffnen. (1)



Um ein Kraftstoffventil in die Aus-Stellung zu bringen, muss sich das Ventil in der horizontalen Position befinden. (2)

HINWEIS

Die Abdeckung des Kraftstoffwählschalters ist so konzipiert, dass sie nicht nach beiden Seiten gleitet, während ein bestimmter Kraftstoff ausgewählt wurde und sich das Ventil in der Position "ON" befindet. Nur wenn sich die Kraftstoffventile in der Position "AUS" befinden, kann die Abdeckung seitlich verschoben werden.

HINWEIS

Der Kraftstoffwählschalter wird verriegelt, sobald ein "CLICK"-Geräusch ausgegeben wird. Nur dann kann ein Kraftstoffventil in die vertikale Position gedreht werden.

Starten des Motors bei Umgebungstemperatur > 15°C (59°F)

Benzin

1. Vergewissern Sie sich, dass sich der Generator auf einem flachen, ebenen Untergrund befindet.
2. Trennen Sie alle elektrischen Verbraucher vom Generator. Starten oder stoppen Sie den Generator niemals, wenn elektrische Geräte angeschlossen oder eingeschaltet sind.
3. Drehen Sie das Benzin-Kraftstoffventil in die Position "ON".
4. Den Chokehebel in die Raststellung "100% CHOKE" bringen. a. Zum Neustart eines warmen Motors den Chokehebel in die Raststellung "75% CHOKE" bringen.
5. Drücken Sie den Batterieschalter in die Position "ON".
6. Drücken Sie den Zündschalter in die Position "EIN".
7. ELEKTRISCHER START: Drücken und halten Sie den Zündschalter in die Position "START". Loslassen, wenn der Motor zu starten beginnt. Wenn der Motor innerhalb von fünf Sekunden nicht startet, lassen Sie den Schalter los und warten Sie mindestens zehn Sekunden, bevor Sie versuchen, den Motor erneut zu starten.
8. Seilzugstart: Ziehen Sie das Starterseil langsam, bis ein Widerstand spürbar ist, und ziehen Sie dann schnell.
9. Nicht zu viel Choke geben. Sobald der Motor startet, bewegen Sie den Chokehebel über eine Dauer von 2-5 Sekunden schrittweise in die Position "RUN".

HINWEIS

Halten Sie die Choke in der Position "Choke" nur für 1 Zug des Seilzugstarters. Nach dem ersten Zug schieben Sie die Choke für die nächsten drei Züge des Seilzugstarters ein. Zu viel Choke führt zu Zündkerzenverschmutzung / Motorüberflutung aufgrund des Fehlens von Zuluft. Dadurch wird der Motor nicht gestartet.

HINWEIS

Für Neustarts mit heißem Motor in heißer Umgebung > 30°C (86°F) halten Sie den Chokehebel in der Raststellung "75% Choke" nur für 1 Zug des Seilzugstarters. Nach dem ersten Zug den Chokehebel für die nächsten drei Startversuche in die Position "Run" bringen. Zu viel Choke führt zu Zündkerzenverschmutzung / Motorüberflutung aufgrund des Fehlens von Zuluft. Dadurch wird der Motor nicht gestartet.

HINWEIS

Bei Benzinstart in kalter Umgebung < 15°C (59°F) muss sich die Drossel in der 100%igen "CHOKE"-Raststellung befinden, sowohl für den elektrischen als auch für den Seilzugstart. Nicht zu viel Choke geben. Sobald der Motor startet, den Chokehebel über eine Dauer von 5-20 Sekunden schrittweise in die Position "RUN" bringen.

Gas

1. Vergewissern Sie sich, dass sich der Generator auf einem flachen, ebenen Untergrund befindet.
2. Trennen Sie alle elektrischen Verbraucher vom Generator. Starten oder stoppen Sie den Generator niemals, wenn elektrische Geräte angeschlossen oder eingeschaltet sind.
3. Den Kraftstoffwahlschalter auf die Position "Vertikal" stellen und den Flüssiggasschlauch anschließen.
4. Den LPG-Zylinder-Kraftstoffknopf vollständig öffnen.
5. Drücken Sie den Zündschalter in die Position "ON".
6. Drücken Sie den Batterieschalter in die Position "ON".
7. ELEKTRISCHER START: Ziehen Sie die Drossel in die Position "Drossel".
8. Halten Sie den Zündschalter in die Position "START". Loslassen, wenn der Motor zu starten beginnt. Wenn der Motor innerhalb von fünf Sekunden nicht startet, lassen Sie den Schalter los und warten Sie mindestens zehn Sekunden, bevor Sie versuchen, den Motor erneut zu starten.
9. Nicht zu stark würgen. Lassen Sie den Motor einige Sekunden warmlaufen, bevor Sie die Choke allmählich in die Position "RUN" drücken.
10. RECOIL START: Ziehen Sie die Drossel in die Position "Choke".
11. PULL-TO-PRIME: Ziehen Sie das Starterseil langsam, bis ein Widerstand spürbar wird, und ziehen Sie dann schnell. Ziehen Sie 1-2 mal mit Choke heraus, bis Sie einige Verbrennungsimpulse spüren, die anzeigen, dass der Motor kurzzeitig gestartet ist.
12. Drücken Sie die Drosselklappe hinein.
13. Ziehen Sie das Starterseil langsam bis zum spürbaren Widerstand und ziehen Sie dann schnell.
14. Wenn der Motor nicht in 1-Zug mit Choke in der Mitte startet. Position "RUN", dann Choke herausziehen und den Schritt PULL-TO-PRIME wiederholen.

Starten des Motors Fortsetzung.

HINWEIS

Für Propangasstart in kalter Umgebung < 15°C (59°F) Den Chokehebel in die Position "75% Choke" für den elektrischen Start und "100% Choke" für den Seilzugstart bringen. Für den elektrischen Start den Chokehebel über eine Dauer von 2-10 Sekunden schrittweise in die Position "RUN" bringen. Um zur Vorbereitung auf den Seilzug zu ziehen, starten Sie den Zug 1-3 mal mit "100% Choke", bis Sie einige Verbrennungsimpulse spüren, die anzeigen, dass der Motor kurzzeitig gestartet ist.

VORSICHT

Wenn der Zündschalter länger als 5 Sekunden in der Position "Start" gedrückt gehalten wird, kann der Anlasser beschädigt werden.

HINWEIS

Die mitgelieferte 12V 7AH-Batterie lädt sich bei laufendem Motor wieder auf, aber es wird auch empfohlen, die Batterie mindestens einmal im Monat vollständig aufzuladen.

HINWEIS

Wenn sich der Batterieschalter in der Position "ON" befindet, leuchtet der Schalter auf, wenn die Batterie eine Ladung abgibt. Wenn der Schalter in der Position "ON" nicht leuchtet, überprüfen Sie, ob der Batterieanschluss in Ordnung ist.

HINWEIS

Wenn der Motor startet, aber nicht weiterläuft, stellen Sie sicher, dass sich der Generator auf einer ebenen, ebenen Fläche befindet. Der Motor ist mit einem Ölmangel-Sensor ausgestattet, der verhindert, dass der Motor läuft, wenn der Ölstand einen kritischen Schwellenwert unterschreitet..

Starten des Motors (Fortsetzung)

HINWEIS

Die Beobachtung von Frost an Flüssiggasbehältern und -reglern ist während des Betriebs üblich und stellt in der Regel keinen Hinweis auf ein Problem dar. Wenn Flüssiggas verdampft und vom Tank zum Generatormotor transportiert wird, dehnt es sich aus. Die sich bildende Frostmenge kann durch die Größe des Behälters, die verwendete Kraftstoffmenge, die Luftfeuchtigkeit und andere Betriebsbedingungen beeinflusst werden. In ungewöhnlichen Situationen kann dieser Frost den Gasstrom zum Generator einschränken, was zu einer Verschlechterung der Leistung führen kann. Zum Beispiel, wenn die Tanktemperatur reduziert wird, auf ein sehr niedriges Niveau, dann wird auch die Verdampfungsrate des LPG reduziert und sorgt möglicherweise nicht für einen ausreichenden Kraftstofffluss zum Motor. Dies ist kein Hinweis auf ein Problem mit dem Generator, sondern nur ein Problem mit dem Gasstrom aus dem Flüssiggasbehälter. Wenn sich die Generatorleistung zu verschlechtern scheint und gleichzeitig die Eisbildung am Tankklappe, Schlauch oder Regler beobachtet wird, können einige Maßnahmen ergriffen werden, um dieses Symptom zu beseitigen. In diesen seltenen Situationen kann es hilfreich sein, die Auswirkungen des Kaltkraftstoffsystems zu reduzieren oder zu beseitigen, indem Sie eine der folgenden Maßnahmen ergreifen:

- Austausch der Kraftstofftanks, damit sich der erste Tank aufwärmen kann, bei Bedarf wiederholen.
- Platzieren des LPG-Behälters am Ende des Generators in der Nähe des Griffs, wo die Luft des Motorgebläses aus dem Generator austritt. Diese Luft wird durch das Überströmen des Motors leicht erwärmt. Der Behälter sollte nicht in den Weg des Schalldämpferauslasses gestellt werden.
- Der Behälter kann vorübergehend erwärmt werden, indem warmes Wasser über die Oberseite des Tanks gegossen wird.

Stoppen des Motors

1. Schalten Sie alle elektrischen Verbraucher aus und ziehen Sie den Netzstecker. Starten oder stoppen Sie den Generator niemals, wenn elektrische Geräte angeschlossen oder eingeschaltet sind.
2. Lassen Sie den Generator einige Minuten im Leerlauf laufen, um die Innentemperaturen von Motor und Generator zu stabilisieren.
3. Drehen Sie das Benzin-Kraftstoffventil bei Betrieb mit Benzin in die Position "AUS".
4. Drehen Sie den LPG-Zylinderknopf in die Position "SCHLIEßEN" oder AUS, wenn Sie mit LPG arbeiten.
5. Lassen Sie den Motor laufen, bis der Kraftstoffmangel den Motor gestoppt hat. Dies dauert in der Regel einige Minuten.
6. Drücken Sie den Zündschalter in die Position "OFF".
7. Stellen Sie den Batterieschalter auf die Position "Aus".

Wichtig: Stellen Sie immer sicher, dass sich das Kraftstoffventil, der Zündschalter und der Batterieschalter in der Position "AUS" befinden, wenn der Motor nicht in Betrieb ist.

HINWEIS

Wenn Sie den Generator nach dem LPG-Betrieb ausschalten, stellen Sie sicher, dass sich der LPG-Zylinderknopf in der vollständig geschlossenen Position befindet.

HINWEIS

Wenn der Motor für einen Zeitraum von zwei (2) Wochen oder länger nicht benutzt wird, lesen Sie bitte im Abschnitt Lagerung nach, wie Sie den Motor und den Kraftstoff ordnungsgemäß lagern können.

Stoppen des Motors (Fortsetzung)

Anschließen von elektrischen Verbrauchern

1. Lassen Sie den Motor nach dem Start für einige Minuten stabilisieren und erwärmen.
2. Stecken Sie die gewünschten, einphasigen 220V 50Hz Verbraucher ein und schalten Sie sie ein.
 - Schließen Sie KEINE 3-phasigen Lasten an den Generator an.
 - Schließen Sie KEINE 60 Hz Lasten an den Generator an
 - Den Generator NICHT überlasten.

HINWEIS

Der Anschluss eines Generators an die Stromleitungen Ihres Energieversorgungsunternehmens oder an eine andere Stromquelle kann rechtswidrig sein. Hinzu kommt, dass bei unsachgemäßer Anwendung der Generator sowie angeschlossene Geräte beschädigt werden können. Des Weiteren kann dies zu schweren Verletzungen oder sogar zum Tod für Sie oder einen Elektriker führen, der an nahegelegenen Stromleitungen arbeitet. Wenn Sie planen, einen tragbaren Stromerzeuger während eines Stromausfalls zu betreiben, benachrichtigen Sie bitte sofort Ihr Energieversorgungsunternehmen und denken Sie daran, Ihre Geräte direkt an den Generator anzuschließen. Schließen Sie den Generator nicht an eine Steckdose in Ihrem Haus an. Auf diese Weise könnte eine Verbindung zum Energieversorger hergestellt werden. Sie sind dafür verantwortlich, dass der Strom Ihres Generators nicht in die Stromleitungen der Elektrizitätswerke zurückgespeist wird. Wenn der Generator an eine gebäudetechnische Anlage angeschlossen wird, wenden Sie sich an Ihr örtliches Versorgungsunternehmen oder einen qualifizierten Elektriker. Die Anschlüsse müssen die Generatorleistung von der Netzleistung trennen und alle geltenden Gesetze und Vorschriften einhalten.

Eine wichtige Nachricht über die Temperatur

Ihr Champion Power Equipment Produkt ist für den Dauerbetrieb bei Umgebungstemperaturen bis zu 40°C (104°F) entwickelt und ausgelegt. Wenn Ihr Produkt benötigt wird, kann Ihr Produkt für kurze Zeit bei Temperaturen von -15°C (5°F) bis 50°C (122°F) betrieben werden. Wenn das Produkt während der Lagerung Temperaturen außerhalb dieses Bereichs ausgesetzt ist, sollte es vor dem Betrieb wieder in diesen Bereich gebracht werden. In jedem Fall muss das Produkt immer im Freien, in einem gut belüfteten Bereich und fernab von Türen, Fenstern und anderen Lüftungsöffnungen betrieben werden.

Generator nicht überlasten

Kapazität

Befolgen Sie diese einfachen Schritte, um die für Ihre Zwecke erforderlichen Lauf- und Startwerte zu berechnen.

1. Wählen Sie die elektrischen Geräte aus, die Sie gleichzeitig betreiben möchten.
2. Addieren Sie die Laufleistung in Watt dieser Geräte. Diese Wattleistung wird benötigt um die Verbraucher am laufen zu halten.
3. Identifizieren Sie die höchste Anlaufleistung aller in Schritt 1 genannten Geräte. Fügen Sie diese Zahl zu der in Schritt 2 berechneten Summe hinzu. Die Spitzenleistung ist der zusätzliche Leistungsschub, der benötigt wird, um einige elektrisch betriebene Geräte zu starten. Wenn Sie die unter "Power Management" aufgeführten Schritte ausführen, wird sichergestellt, dass jeweils nur ein Gerät gestartet wird.

Energie Management

Verwenden Sie die folgende Formel, um Spannung und Stromstärke in Watt umzuwandeln:

$$\text{Volt} \times \text{Ampere} = \text{Watt}$$

Um die Lebensdauer Ihres Generators und der angeschlossenen Geräte zu verlängern, führen Sie diese Schritte aus, um elektrische Verbraucher hinzuzufügen:

1. Starten Sie den Generator ohne angeschlossene elektrische Last.
2. Lassen Sie den Motor einige Minuten laufen, um sich zu stabilisieren.
3. Schließen Sie den Verbraucher mit der höchsten elektrischen Last zuerst an.
4. Lassen Sie den Motor stabilisieren.
5. Schließen Sie den nächsten Verbraucher an
6. Lassen Sie den Motor stabilisieren.
7. Wiederholen Sie die Schritte 5-6 für jede weiteren Verbraucher.

HINWEIS

Überschreiten Sie niemals die angegebene Kapazität, wenn Sie dem Generator Lasten hinzufügen.

WARTUNG & LAGERUNG

Der Eigentümer/Betreiber ist für alle regelmäßigen Wartungsarbeiten verantwortlich.

! WARNUNG

Betreiben Sie niemals einen beschädigten oder defekten Generator.

! WARNUNG

Manipulationen am werkseitig eingestellten Regler führen zum Erlöschen der Garantie.

! WARNUNG

Unsachgemäße Wartung führt zum Erlöschen der Garantie.

HINWEIS

Die Wartung, der Austausch oder die Reparatur von emissionsmindernden Vorrichtungen und Systemen darf nur von Fachleuten durchgeführt werden.

Führen Sie alle geplanten Wartungsarbeiten rechtzeitig durch. Beheben Sie alle Probleme, bevor Sie den Generator in Betrieb nehmen.

Motorwartung

Um ein versehentliches Starten zu verhindern, entfernen und erden Sie das Zündkerzenkabel, bevor Sie eine Wartung durchführen.

Öl

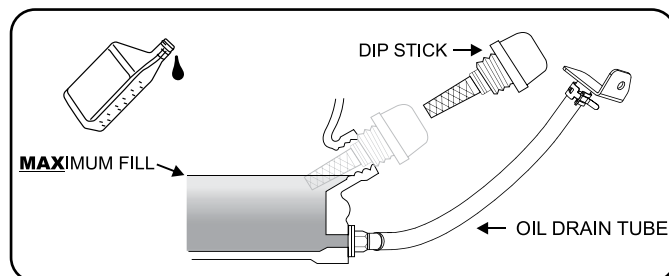
Wechseln Sie das Öl, wenn der Motor warm ist. Lesen Sie die Ölspezifikation, um die richtige Ölart für Ihre Betriebsumgebung auszuwählen.

1. Entfernen Sie die Ölablassschraube mit einem 15-mm-Steckschlüssel und Verlängerung (nicht im Lieferumfang enthalten).
2. Lassen Sie das Öl vollständig ablaufen.
3. Setzen Sie die Ablassschraube wieder ein.
4. Öleinfülldeckel/Messstab entfernen, um Öl hinzuzufügen.
5. Öl nachfüllen und Öleinfülldeckel/Messstab wieder einsetzen. NICHT ÜBERFÜLLEN.
6. Entsorgen Sie Altöl in einer zugelassenen Entsorgungseinrichtung.

Öl (Fortsetzung)

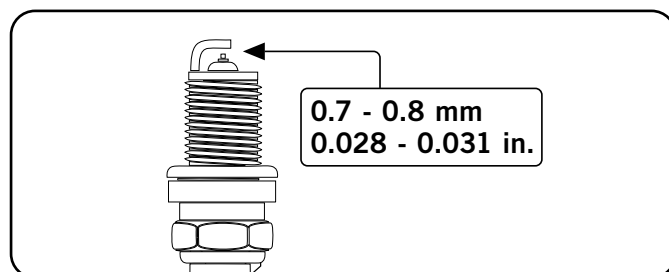
HINWEIS

Die Ölstandskontrolle zeigt, dass das Öl ca. 1-2 Gewindegänge aus der Einfüllöffnung ausläuft. Wenn Sie den Ölmesstab zur Ölstandskontrolle verwenden, schrauben Sie den Ölmesstab während der Kontrolle NICHT ein.



Zündkerze

1. Entfernen Sie das Zündkerzenkabel von der Zündkerze.
2. Verwenden Sie einen Zündkerzenschlüssel (nicht im Lieferumfang enthalten), um die Kerze zu entfernen.
3. Überprüfen Sie die Elektrode am Stecker. Er muss sauber und nicht abgenutzt sein, um den für die Zündung erforderlichen Funken zu erzeugen.
4. Stellen Sie sicher, dass die Zündkerzenlücke 0,7 - 0,8 mm oder (0,028 - 0,031 in.) beträgt.



5. Beachten Sie beim Austausch der Kerze die Zündkerzenempfehlungstabelle.
6. Den Stopfen vorsichtig in den Motor einschrauben.
7. Verwenden Sie die Zündkerzenstecker (nicht im Lieferumfang enthalten), um die Kerze festzuziehen.
8. Befestigen Sie das Zündkerzenkabel an der Kerze.

OEM-Zündkerze: F6RTC

Ersatz-Zündkerze: NGK BPR6ES oder gleichwertig
Stellen Sie sicher, dass die Zündkerzenlücke 0,7 - 0,8 mm oder (0,028 - 0,031 in.) beträgt.

Wartung Ventilspielraum

- Einlass 0.13 - 0.17 mm (0.005 - 0.007 in.)

- Auspuff: 0.18 - 0.22 mm (0.007 - 0.009 in.)

Luftfilter

1. Entfernen Sie die Wartungsabdeckung.
2. Suchen Sie die Kunststoffabdeckung des Luftfilters.
3. Lösen Sie das Verriegelungsgelenk am Deckel.
4. Entfernen Sie den alten Filter.
5. Setzen Sie den neuen Filter in die Baugruppe ein.
6. Setzen Sie das Scharnier an der Luftfilterabdeckung wieder ein.
7. Montieren Sie die Wartungsabdeckung wieder und ziehen Sie die Deckelschraube fest an.

Funkenschutz

1. Lassen Sie den Motor vollständig abkühlen, bevor Sie den Funkenschutz warten.
2. Entfernen Sie die beiden Schrauben, die die Abdeckplatte halten, die das Ende des Funkenschutzes am Schalldämpfer hält.
3. Entfernen Sie das Sieb des Funkenschutzes.
4. Entfernen Sie die Kohlenstoffablagerungen vom Funkenschutzsieb vorsichtig mit einer Drahtbürste.
5. Ersetzen Sie den Funkenschutz, wenn er beschädigt ist.
6. Positionieren Sie den Funkenschutz im Schalldämpfer und befestigen Sie ihn mit den beiden Schrauben.

VORSICHT

Wenn der Funkenschutz nicht gereinigt wird, führt dies zu einer Verschlechterung der Motorleistung.

Reinigung

VORSICHT

Besprühen Sie den Generator NICHT mit Wasser.

Wasser kann das Kraftstoffsystem verunreinigen.

Verwenden Sie ein feuchtes Tuch, um die Außenflächen des Generators zu reinigen. Verwenden Sie eine weiche Borstenbürste, um Schmutz und Öl zu entfernen. Verwenden Sie einen Luftkompressor (25 PSI), um Schmutz und Ablagerungen aus dem Generator zu entfernen.

Anpassungen

Das Luft-Kraftstoff-Gemisch ist nicht einstellbar. Manipulationen am Regler können Ihren Generator und Ihre elektrischen Geräte beschädigen und führen zum Erlöschen der Garantie.

Wartungsplan

Befolgen Sie die in der folgenden Wartungsübersicht angegebenen Wartungsintervalle.

Warten Sie Ihren Generator häufiger, wenn Sie unter widrigen Bedingungen arbeiten.

Alle 8 Stunden oder täglich	
	Ölstand prüfen
	Reinigen Sie den Lufteinlass und den Schalldämpfer
	Schläuche auf Dichtheit prüfen
Erste 5 Stunden	
	Ölwechsel
Alle 50 Stunden oder zu jeder Jahreszeit	
	Luftfilter reinigen
	Ölwechsel, bei Betrieb unter hoher Last oder in heißer Umgebung
Alle 100 Stunden oder zu jeder Jahreszeit	
	Ölwechsel
	Zündkerze reinigen/einstellen
	Ventilspiel prüfen/einstellen*.
	Funkenschutz reinigen
	Kraftstofftank und Filter reinigen*.
Alle 250 Stunden	
	Brennkammer reinigen*
Alle 3 Jahre	
	Ersetzen Sie die Kraftstoffleitung und den LPG-Schlauch.

*Ausführung durch sachkundige, erfahrene Eigentümer oder von Champion Power Equipment zertifizierte Händler.

Wartung des Generators

Stellen Sie sicher, dass der Generator sauber gehalten und ordnungsgemäß gelagert wird. Betreiben Sie das Gerät nur auf einem flachen, ebenen Untergrund in einer sauberen, trockenen Betriebsumgebung. Setzen Sie das Gerät NICHT extremen Bedingungen, übermäßigem Staub, Schmutz, Feuchtigkeit oder korrosiven Dämpfen aus.

VORSICHT

Verwenden Sie KEINEN Gartenschlauch zur Reinigung

Durch die Kühlschlitze kann Wasser in den Generator eindringen und die Generatorwicklungen beschädigen.

Verwenden Sie ein feuchtes Tuch, um die Außenflächen des Generators zu reinigen. Verwenden Sie eine weiche Borstenbürste, um Schmutz und Öl zu entfernen. Verwenden Sie einen Luftkompressor (25 PSI), um Schmutz und Ablagerungen aus dem Generator zu entfernen. Überprüfen Sie alle Lüftungsöffnungen und Kühlschlitze auf Sauberkeit und Unversehrtheit.

Lagerung

Der Generator sollte mindestens einmal alle 14 Tage gestartet und mindestens 20 Minuten laufen gelassen werden. Für eine längerfristige Lagerung beachten Sie bitte diese Richtlinien.

Lagerung des Generators

1. Fügen Sie einen Kraftstoffstabilisator in den Tank.
2. Stellen Sie sicher, dass alle Geräte vom Generator getrennt sind.
3. Lassen Sie den Generator für einige Minuten laufen, damit der behandelte Kraftstoff durch das Kraftstoffsystem und den Vergaser fließt.
4. Drehen Sie das Kraftstoffventil in die Position "Aus".
5. Lassen Sie den Generator laufen, bis der Kraftstoffmangel den Motor gestoppt hat. Dies dauert in der Regel einige Minuten.
6. Der Generator muss vor der Reinigung und Lagerung vollständig abgekühlt sein.
7. Entfernen Sie den Zündkerzenstecker und ziehen Sie dann 3 mal am Rückstoßgriff, um das Benzin aus den Vergaserdüsen abzulassen.
8. Wechseln Sie das Motoröl.
9. Entfernen Sie die Zündkerze und gießen Sie etwa einen Esslöffel Öl in den Zylinder. Starten Sie den Motor langsam, um das Öl zu verteilen und den Zylinder zu schmieren.
10. Setzen Sie die Zündkerze wieder ein.
11. Lagern Sie das Gerät an einem sauberen, trockenen Ort und vor direkter Sonneneinstrahlung geschützt.



GEFAHR

Das Abgas des Generators enthält geruchloses und farbloses Kohlenmonoxidgas.

Um ein versehentliches oder unbeabsichtigtes Zünden Ihres Fernstartgenerators während der Lagerung zu vermeiden, sollten die folgenden Vorsichtsmaßnahmen getroffen werden:

- Wenn Sie den Generator für kurze Zeit aufbewahren, stellen Sie sicher, dass der Zündschalter, das Kraftstoffventil und der Batterieschalter auf AUS stehen.
- Bei längerer Lagerung des Generators ist darauf zu achten, dass der Zündschalter, das Kraftstoffventil und der Batterieschalter auf AUS gestellt sind und die Batterieleitungen von der Batterie getrennt wurden.

Generator-Batterie

Dieses Produkt ist mit einer automatischen Batterieladeschaltung ausgestattet. Die Batterie erhält bei laufendem Motor eine Ladespannung. Die Batterie hält die Ladung aufrecht, wenn das Gerät regelmäßig (etwa alle zwei Wochen) benutzt wird. Wenn die Batterie seltener verwendet wird, sollte sie an ein Erhaltungsladegerät (nicht enthalten) angeschlossen werden, um die Batterie ordnungsgemäß aufzuladen. Wenn die Batterie nicht in der Lage ist, den Motor zu starten, kann durch manuelles Ziehen am Seilzug gestartet werden. Wenn die Batteriespannung extrem niedrig ist, kann der Ladekreis die Batterie möglicherweise nicht wieder aufladen. In diesem Fall muss die Batterie an ein handelsübliches Batterieladegerät angeschlossen werden, um sie wieder aufzuladen, bevor sie verwendet werden kann.

Batterie abklemmen

1. Entfernen Sie die Schutzabdeckung vom schwarzen/negativen Batteriekabel.
2. Trennen Sie das schwarze/negative Kabel von der schwarzen/negativen Klemme der Batterie und bewahren Sie die Zylinderschraube und die Mutter auf.
3. Wiederholen Sie die Schritte 1-2 für das rot/positive Batteriekabel.
4. Bewahren Sie die Batterie an einem kühlen, trockenen Ort auf.

Laden der Batterie

Bei einem Generator, der mit Batterien für den elektrischen Start ausgestattet ist, ist die ordnungsgemäße Wartung und Lagerung der Batterie zu beachten. Zum Aufladen der Batterie sollte ein automatisches Ladegerät (nicht enthalten) mit automatischer Ladefunktion verwendet werden. Die maximale Ladeleistung sollte 1,5 Ampere nicht überschreiten. Befolgen Sie die Anweisungen, die dem Batterieladegerät beiliegen. Die Batterie sollte mindestens einmal im Monat vollständig geladen werden.



HINWEIS

Ein Batterieladeerhaltungsgerät hält den Batteriezustand über lange Lagerzeiten aufrecht.

Problem	Ursache	Lösung
Der Generator startet nicht.	Kein Kraftstoff	Kraftstoff hinzufügen
	Defekte Zündkerze	Zündkerze ersetzen
	Verbraucher beim Start angeschlossen	Verbraucher vom Gerät trennen
Der Generator startet nicht; Der Generator startet, läuft aber unrund.	Niedriger Ölstand	Kurbelgehäuse auf die richtige Höhe befüllen
		Stellen Sie den Generator auf einen flachen, ebenen Untergrund.
	Choke in der falschen Position	Choke korrekt einstellen
Der Generator startet nicht per Funkstart.	Zündkerzenkabel lose	Kabel an der Zündkerze befestigen
	Die Batterie der Fernbedienung ist leer.	Batterie der Fernbedienung ersetzen
	Generatorbatterie ist leer	Generatorbatterie aufladen
Der Generator startet nicht elektrisch.	Der Batterieschalter befindet sich in der Position "OFF"	Batterieschalter auf die Position "ON" stellen.
	Generatorbatterie ist leer	Generatorbatterie aufladen
Der Generator schaltet sich während des Betriebs ab.	Der Batterieschalter befindet sich in der Position "OFF"	Batterieschalter auf die Position "ON" stellen.
	Kein Kraftstoff mehr	Kraftstofftank füllen
Der Generator kann nicht genügend Leistung liefern oder überhitzt.	Niedriger Ölstand	Kurbelgehäuse bis zum richtigen Niveau befüllen. Stellen Sie den Generator auf einen flachen, ebenen Untergrund.
	Generator ist überlastet	Überprüfen Sie die Last und passen Sie sie an. Siehe "Energiemanagement".
Keine AC-Leistung.	Unzureichende Belüftung	Überprüfen Sie die Lufteinschränkung. Stellen Sie den Generator in einen gut belüfteten Bereich.
	Kabel nicht richtig angeschlossen	Überprüfen Sie alle Verbindungen
	Angeschlossener Verbraucher ist defekt	Defekten Verbraucher ersetzen
	Der Leistungsschalter ist ausgeschaltet	Leistungsschalter zurücksetzen
	Lose Verkabelung	Überprüfen und festziehen der Kabelverbindungen
Wiederholtes Auslösen des Leistungsschalters.	Sonstiges	Kontaktieren Sie die Hotline
	Überlastung	Überprüfen Sie die Last und passen Sie sie an. Siehe "Energiemanagement".
	Fehlerhafte Kabel oder Verbraucher	Überprüfen Sie, ob die Drähte beschädigt, blank oder ausgefranst sind. Defekte Verbraucher ersetzen

INTRODUCTION

Introduksjon

Gratulerer med kjøpet av generatoren din. Vedlikeholdes på riktig måte.

Bærbar strømgenerator

Denne enheten er en bensindrevet AC-generator som brukes til strømforsyning.

Tilbehør

CPE produserer og leverer en rekke tilbehør. Kontakt din lokale forhandler for mer informasjon.

Dette heftet

Vi forbeholder oss retten til å endre, tilføye eller forbedre produktet og denne håndboken uten nærmere varsel.

Skriv ned modellen og serienumrene, i tillegg til kjøpsdato og -sted for fremtidig bruk. Ha denne informasjonen tilgjengelig ved bestilling av deler og ved tekniske forespørsler eller garantispørsmål.

Champion Power Equipment Support
Modellnummer
Serienummer
Kjøpsdato
Kjøpssted
For oljetype , se avsnittet "Fyll på olje". For drivstofftype , se avsnittet "Fyll på drivstoff".

Gjør deg selv kjent med følgende symboler. Sikkerhetssymbolet og nøkkelordene er sikkerhetsadvarsler. Følg alle sikkerhetsmeldinger for å unngå ulykker eller personskade.

FARE

FARE indikerer en farlig situasjon som, hvis den ikke unngås, **vil** føre til død eller alvorlig personskade.

ADVARSEL

ADVARSEL indikerer en farlig situasjon som, hvis den ikke unngås, **kan** føre til død eller alvorlig personskade.

FORSIKTIG

FORSIKTIG indikerer en farlig situasjon som, hvis den ikke unngås, **kan** føre til en mindre eller moderat personskade.

FORSIKTIG

FORSIKTIG brukt uten symbolet for sikkerhetsvarsel indikerer en potensielt farlig situasjon, som hvis den ikke unngås, **kan** føre til skade på eiendom.

MERKNAD

Dersom du har spørsmål angående generatoren din, kan vi bistå. Kontakt din lokale forhandler

SAFETY RULES

ADVARSEL

Les denne håndboken grundig før du tar i bruk generatoren din. Unnlater du å følge instruksjonene kan det føre til alvorlig personskade eller død.

ADVARSEL

Motoravgassene fra dette produktet inneholder kjemikalier som er kjent for å forårsake alvorlige helseproblemer og død.

FARE

Generatorens eksos inneholder karbonmonoksid, en fargeløs, luktfri og giftig gass. Innånding av karbonmonoksid vil føre til kvalme, svimmelhet, besvimelse eller død. Hvis du begynner å føle deg svimmel eller svak, kom deg til frisk luft umiddelbart.

Generatoren skal kun brukes utendørs, på et godt ventilert område.

IKKE bruk generatoren inne i eventuelle bygninger, inkludert garasjer, kjellere, krypkjellere og skur, lukkede rom eller liknende. Dette gjelder også generatorrommet i campingbiler.

IKKE la eksosgasser trenge inn i trange rom via vinduer, dører, ventilasjonsluker eller andre åpninger.

FARE KARBONMONOKSID: Å bruke en generator innendørs **KAN TA LIVET AV DEG I LØPET AV MINUTTER.**

FARE

Roterende deler kan ta tak i hender, føtter, hår, klær og/eller tilbehør. Det kan føre til alvorlige sårskader eller amputasjon.

Hold hender og føtter vekk fra roterende deler. Sett opp langt hår og fjern smykker. Utstyret skal bare brukes med vern montert. IKKE ha på deg løstsittende plagg, hengende snorer eller ting som kan bli fanget.

FARE

Generatoren produserer kraftig spenning.

IKKE berør uisolerte ledninger og kontakter. IKKE bruk elektriske ledninger som er slitt, skadet eller frynsete.

IKKE bruk generatoren i fuktig vær. IKKE la barn eller ukvalifisert personell betjene eller vedlikeholde generatoren.

Bruk en jordfeilbryter (GFCI) i fuktige områder og områder som inneholder ledende materiale, slik som metalldekke.

Bruk godkjent overføringsutstyr til å isolere generatoren fra strømmettet, og gi beskjed til nettselskapet ditt før du kobler generatoren til strømsystemet ditt.

ADVARSEL

Gnister kan forårsake brann eller elektrisk støt.

Ved service på generatoren:

Koble fra tennpluggkabelen og plasser den et sted der den ikke kan komme i kontakt med pluggen. IKKE se etter gnist med tennpluggen tatt av. Bruk bare godkjente tennpluggtestere.

ADVARSEL

Motorer som går produserer varme. Alvorlige brannskader kan oppstå ved kontakt. Brennbare materialer kan ta fyr ved kontakt.

IKKE berør varme overflater. Unngå kontakt med varme avgasser. La utstyret avkjøles før berøring. Hold minst en meters klaring på alle sider for å sikre tilstrekkelig kjøling. Hold minst 1,5 meters avstand til brennbare materialer.

⚠ ADVARSEL

Rask tilbaketrekking av startsnoren trekker hånd og arm mot motoren raskere enn du klarer å slippe. Utsiktet oppstart kan føre til sammenfiltring, amputasjon eller sårskader.

Det kan føre til brukne bein, frakturer, blåmerker eller forstuinger.

Ved start av motoren, dra startsnoren sakte til motstand dannes, trekk deretter raskt for å unngå tilbakeslag.

IKKE start eller stopp motoren med elektriske apparater tilkoblet.

⚠ FORSIKTIG

Overskridelse av generatorens driftskapasitet kan skade generatoren og/eller eventuelle elektriske apparater som er koblet til den.

IKKE overbelast generatoren.

Start generatoren og la motoren stabilisere seg før tilkobling av elektrisk belastning.

Koble til elektrisk utstyr i avslått posisjon, slå det deretter på for å bruke det.

Slå elektrisk utstyr av og koble fra før generatoren stoppes.

IKKE tukle med den innstilte hastigheten.

IKKE modifier generatoren på noen som helst måte.

⚠ FORSIKTIG

Feil behandling eller bruk av generatoren kan skade den, redusere levetiden eller gjøre at garantien blir ugyldig.

Generatoren skal bare brukes til tiltenkt bruk.

Den skal bare brukes på jevne overflater.

IKKE utsett generatoren for overdrevne mengder fukt, støv eller smuss.

IKKE la noe blokkere kjølepaltene.

Hvis tilkoblede apparater overoppheites, slå dem av og koble dem fra generatoren.

IKKE bruk generatoren hvis:

- Elektrisk utgangsspenning forsvinner
- Utstyret gnistrer, begynner å ryke eller avgir flammer
- Utstyret vibrerer overdrevent

⚠ ADVARSEL

Drift av dette utstyret kan skape gnister som kan starte brann i tørr vegetasjon.

En gnistfanger kan være påkrevd. Brukeren bør kontakte det lokale brannvesenet for opplysninger om lover eller forskrifter relatert til brannvernstiltak.

⚠ ADVARSEL

Medisinsk bruk.

Ved nødstilfelle, ring nødetatene umiddelbart.

ALDRI bruk dette produktet til å forsyne livreddende utstyr eller redningsapparater med strøm.

ALDRI bruk dette produktet til å forsyne medisinsk utstyr med strøm.

Informér strømleverandøren din umiddelbart hvis du eller andre i husholdningen din er avhengig av elektrisk utstyr for å holde seg i live.

Informér strømleverandøren din umiddelbart dersom tap av strøm fører til at du eller andre i husholdningen din kan få et medisinsk nødstilfelle.

SAFETY RULES

Drivstoffsikkerhet

FARE

BENSIN, BENSINDAMP OG LIQUID PETROLEUM GAS (LPG) ER SVÆRT LETTANTENNELIG OG EKSPLOSIVT.

Brann eller eksplosjon kan føre til alvorlige brannskader eller død.

Utsiktet oppstart kan føre til sammenfiltring, amputasjon eller sårskader.

Bensin og bensindamp:

- BENSIN ER SVÆRT LETTANTENNELIG OG EKSPLOSIVT.
- Bensin kan forårsake brann eller eksplosjon ved antenning.
- Bensin er et flytende drivstoff, men dampen kan antenne.
- Bensin er irriterende for huden og må renses bort umiddelbart hvis det søles på hud eller klær.
- Bensin har en særegen lukt, dette vil bidra til å oppdage potensielle lekkasjer raskt.
- Ved brann med bensin skal ikke flammer slukkes med mindre drivstofforsyningsventilen kan slås AV. Dette skyldes at hvis en brann slukkes og tilførselen av drivstoff ikke slås AV, kan det oppstå eksplosjonsfare.
- Bensin utvider seg eller trekker seg sammen i sammenheng med omgivelsestemperaturen. Aldri fyll bensintanken helt full. Dette er fordi bensin må ha plass til å utvide seg hvis temperaturen øker.

Liquefied Petroleum Gas (LPG):

- LPG ER SVÆRT LETTANTENNELIG OG EKSPLOSIVT.
- Brennbar gass under trykk kan forårsake brann eller eksplosjon ved antenning.
- LPG er tyngre enn luft og kan samle seg på lavereliggende steder ved spredning.
- LPG har en særegen lukt som vil bidra til å oppdage potensielle lekkasjer raskt.
- Ved brann med petroleumsgass skal ikke flammer slukkes med mindre drivstofforsyningsventilen kan slås AV. Dette skyldes at hvis en brann slukkes og tilførselen av drivstoff ikke slås AV, kan det oppstå eksplosjonsfare.
- Ved bytte av LPG-sylindere, sørg for at

sylinderventilen er av samme type.

- Sørg alltid for at LPG-sylindere står oppreist.
- LPG vil føre til brannskader hvis det kommer i kontakt med huden. Hold alltid LPG vekk fra huden.

Ved fylling eller fjerning av bensin:

Slå av generatoren og la den avkjøle seg i minst to minutter før bensinlokket fjernes. Løsne lokket sakte for å slippe ut trykket i tanken.

Det skal bare fylles eller tappes bensin på steder som er godt ventilert.

IKKE fyll bensin direkte på generatoren fra bensinstasjonen. Bruk en godkjent beholder til å fylle drivstoff på generatoren.

IKKE fyll for mye på bensintanken.

Drivstoff skal alltid holdes vekk fra gnister, åpne flammer, gassbrennere, varme og andre antennelseskilder.

IKKE tenn opp eller røyk sigaretter.

Ved oppstart av generatoren:

IKKE forsøk å starte en skadet generator.

Påse at bensinlokket, luftfilteret, tennpluggen, drivstoffslangene og eksossystemet er på plass.

Sørg for at bensinsøl får tid til å fordampe fullstendig før motoren blir forsøkt startet.

Forsikre deg om at generatoren står på et jevnt underlag.

Ved bruk av generatoren:

IKKE beveg eller velt generatoren under drift.

IKKE velt generatoren eller søl bensin eller olje.

Ved transport eller service på generatoren:

Sørg for at drivstoffventilen står i AV-posisjon og at bensintanken er tom.

Påse at eventuelle LPG-sylindere er frakoblet generatoren og trygt lagret på behørig avstand.

Koble fra tennpluggkabelen.

Ved oppbevaring av generatoren:

Oppbevares vekk fra gnister, åpne flammer, gassbrennere, varme og andre antennelseskilder.

Ikke oppbevar generatoren, bensin eller LPG-beholdere i nærheten av ovner, vannvarmere eller andre apparater som produserer varme eller har automatisk tenning.

ADVARSEL

Aldri bruk en bensinbeholder, LPG-tilkoblingslange, LPG-beholder eller andre drivstoffelementer som er skadet eller fremstår som skadet.

Generatoren din krever noe montering. Enheten leveres fra fabrikkens vår uten olje. Den må ha drivstoff og olje før den tas i bruk.

Dersom du har noen spørsmål om montering av generatoren din, ring den lokale forhandleren din. Sørg for å ha serienummeret og modellnummeret tilgjengelig.

Fjern generatoren fra esken den ble levert i.

1. Plasser esken på et solid, flatt underlag.
2. Fjern alt fra esken unntatt generatoren.
3. Skjær forsiktig hvert hjørne av esken fra topp til bunn. Brett hver av sidene flatt ned på underlaget for å få et underlag som du kan montere hjulsettet og støttebeinet på.

Installasjon av hjulsettet

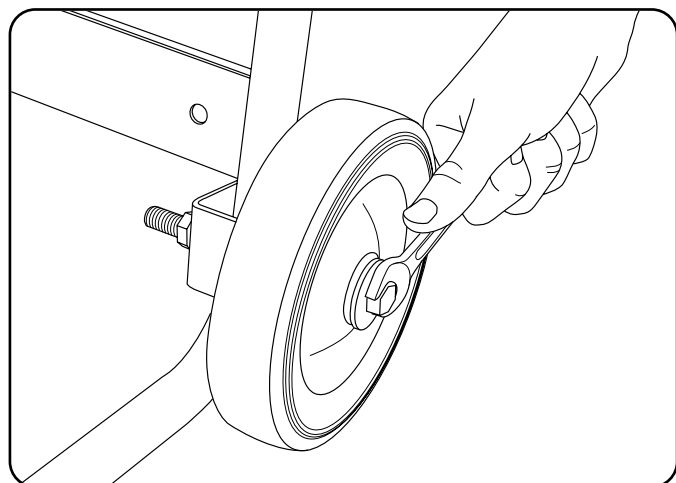
FORSIKTIG

Hjulsettet er ikke ment for bruk på vei.

Du trenger følgende verktøy for å installere hjulene:

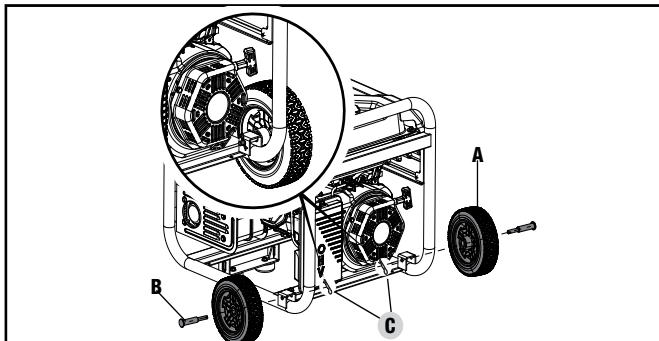
- Skiftenøkkel (ikke inkludert)
- Pipenøkkel (ikke inkludert)
- Tenger (ikke inkludert)

1. Legg generatoren over på siden før påfylling av drivstoff og olje.
2. Før hjulbolten gjennom den flate skiven, foringen og hjulet.
3. Skyv bolten gjennom monteringspunktet på rammen.
4. Fest med låsemutteren.
5. Gjenta trinn 2-4 for å feste det andre hjulet.



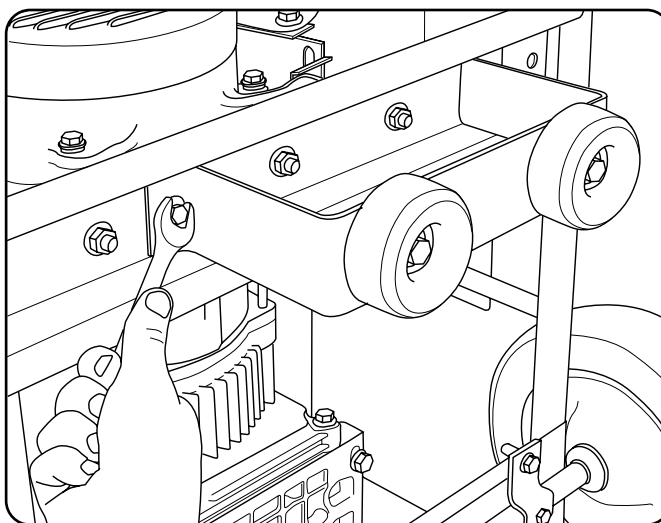
Installasjon av hjulsettet - 2 (utvalgte modeller)

1. Før du fyller på drivstoff og olje, tipp generatoren på rekylenden.
2. Skyv rullestiften (B) gjennom hjulet (A) fra utsiden.
3. Skyv rullestiften gjennom monteringspunktet på rammen.
4. Fest med R-klemmen (C).
5. Gjenta for å feste det andre hjulet.



Installering av støttebeinet

1. Fest støttebeinet til generatorrammen med flensbolt og flenslåseboltene.
2. Tipp generatoren sakte slik at den hviler på hjulene og støttebeinet



NO

Installer håndtaket (utvalgte modeller)

1. Plasser håndtaket over monteringsporet på rammen.
2. Fest håndtaket i rammen ved hjelp av de to håndtaksboltene.
3. Plasser låsemutteren på enden av hver av boltene og stram til. IKKE trekk til låsemutterne for mye.

Tilkobling av batteri.

1. Fjern beskyttelsesdekselet fra den røde (+) ledningen på batteriet.
2. Fest den røde (+)ledningen til den røde (+) terminalen på batteriet med flensbolten og trekk til med flensmutteren.
3. Gjenta trinn 1-2 for den sorte (-) batteriledningen.

Fyll på motorolje

! FORSIKTIG

IKKE prøv å sveive eller starte motoren før den er korrekt fylt opp med anbefalt type og mengde olje. Skade på generatoren som følge av unnlattelse i å følge disse instruksjonene ugyldiggjør garantien din.

! MERKNAD

Generatorens rotor har et forseglet, forhåndssmørt kulelager som ikke trenger mer smøring i hele lagerets levetid.

! MERKNAD

Anbefalt oljetype er bilolje av typen 10W-30.

1. Plasser generatoren på et flatt, jevnt underlag.
2. Fjern oljepåfyllingslokket/peilepinnen for å fylle på olje.
3. Fyll på olje og sett på oljepåfyllingslokket/peilepinnen igjen. IKKE FYLL FOR MYE.
4. Kontroller motorens oljenivå daglig og etterfyll ved behov.

! MERKNAD

Når olje er fylt på, skal det gjøres en visuell sjekk. Den skal vise olje omtrent 1-2 gjenger ned i påfyllingshullet. Hvis det benyttes en peilepinne til å kontrollere oljenivået, IKKE skru inn peilepinnen når du sjekker.

Fyll på motorolje (fortsett)

! MERKNAD

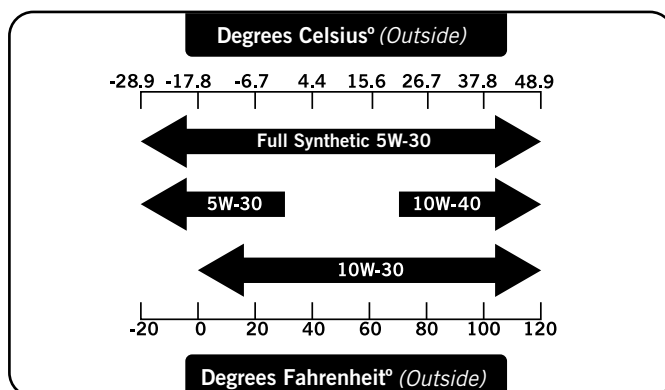
Kontroller oljen ofte i innkjøringsperioden. Se i avsnittet for vedlikehold for anbefalte serviceintervaller.

! FORSIKTIG

Motoren er utstyrt med oljevakt for lavt oljenivå, og slår seg av når oljenivået i veivhuset synker under terskelnivået.

! MERKNAD

Vi anser de første 5 driftstimene som innkjøringsperioden for enheten. I innkjøringsperioden skal kraftuttaket ligge på eller under 50 %. Varier belastningen innimellom for at statorviklingene får varmet og avkjølt seg. Justering av belastningen gjør også at motorhastigheten varierer og bidrar til at stempelringene setter seg. Etter at innkjøringsperioden på 5 timer er over, bytt oljen.



! MERKNAD

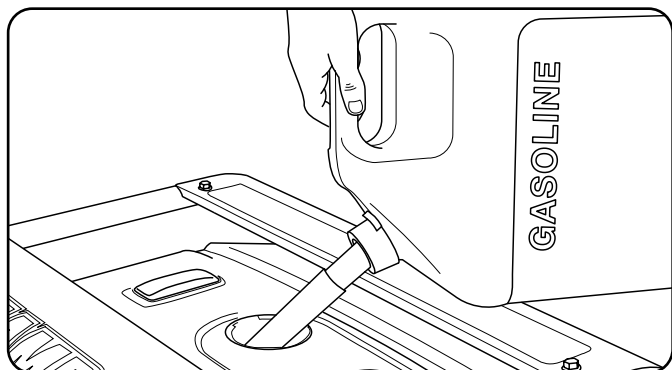
Værforholdene påvirker motoroljen og motorens ytelse. Bytt motoroljetype avhengig av værforhold, slik at motorens behov ivaretas.

! MERKNAD

Syntetisk olje kan brukes etter den første innkjøringsperioden på 5 timer. Bruk av syntetisk olje øker ikke den anbefalte intervalltiden for oljeskift. Fullsyntetisk olje av typen 5W-30 gir starthjelp i kalde omgivelsestemperaturer <math>< 5^{\circ}\text{C}</math> (41°F).

Fylle drivstoff (bensin)

1. Bruk ren, fersk vanlig blyfri bensin med et oktantal på minimum 85 og et etanolinnhold som er mindre enn 10 %, målt etter volum.
2. IKKE bland olje med drivstoff.
3. Rengjør området rundt påfyllingslokket.
4. Fjern påfyllingslokket.
5. Fyll drivstoff sakte på tanken. IKKE FYLL FOR MYE. Drivstoff kan ekspandere etter påfylling. Det kreves minimum 6,4 mm (¼ tomme) med plass i tanken for at drivstoffet skal kunne ekspandere, det anbefales imidlertid mer enn 6,4 mm (¼ tomme). Drivstoff kan tvinges ut av tanken som en konsekvens at det fylles for mye. Dette kan påvirke produktets stabile driftsvilkår. Ved fylling av tanken anbefales det å la det være nok plass til at bensinen kan utvide seg.



6. Skru på drivstoffpåfyllingslokket og tørk av eventuelt drivstoffsøl.

! FORSIKTIG

Bruk vanlig blyfri bensin med et oktantal på minimum 85.

Ikke bland olje og bensin.

Fyll tanken til omtrent 6,4 mm (¼ tomme) under toppnivå i tanken. Dette gir plass til å la drivstoffet ekspandere.

IKKE fyll bensin direkte på generatoren fra bensinstasjonen. Bruk en godkjent beholder til å fylle drivstoff på generatoren.

IKKE fyll drivstofftanken innendørs.

IKKE fyll drivstofftanken mens motoren går eller er varm.

IKKE fyll for mye på bensintanken.

IKKE tenn opp sigaretter eller røyk ved fylling av drivstofftanken.

Fylle drivstoff (bensin) fortsatt

! ADVARSEL

Helling av drivstoff for raskt gjennom bensinsilen kan føre til tilbakeslag av drivstoff i retning av brukeren.

! MERKNAD

Motorene våre fungerer godt med drivstoff som er blandet med 10 % eller mindre etanol. Ved bruk av drivstoff blandet med etanol er det noen ting man må huske på:

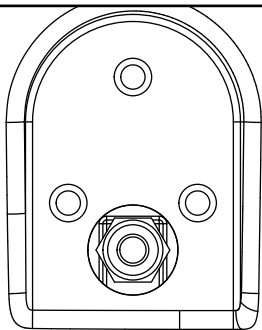
- Etanol blandet med bensin kan absorbere mer vann en ren bensin.
- Disse blandningene kan til syvende og sist skille seg og etterlate vann eller en vannaktig guffe i tanken, bensinventilen og forgasseren.
- Med falltilførsel kan det ødelagte drivstoffet trekkes inn i forgasseren og forårsake skade på motoren og/eller føre til potensielle farer.
- Det er bare noen få leverandører som produserer drivstoffstabilisatorer som er laget for å fungere sammen med bensin-etanolblandinger.
- Eventuelle skader eller farer som oppstår ved bruk av feil drivstoff, drivstoff som er lagret feil, og/eller feilproduserte stabilisatorer dekkes ikke av produsentens garanti.

Det er tilrådelig å alltid slå av drivstofftilførselen, kjøre motoren til den stopper og tømme tanken når utstyret ikke skal brukes på mer enn 30 dager.

NO

Koble til LPG-beholderen.

1. Sørg for at drivstoffventilen på generatoren er i avslått posisjon.
2. Fest LPG-slangen (medfølger) til LPG-slangetilkoblingen på siden av generatoren og stram med en skiftenøkkel.
Viktig: IKKE bruk tape eller annen tetningsmasse for å forsegle LPG-slangetilkoblingen.
3. Fjern sikkerhetspluggen eller -hetten fra ventilen på sylindren.
4. Fest den andre enden av slangen til LPG-tilkoblingen på beholderen og stram til for hånd.
5. Sjekk alle koblinger for lekkasjer ved å fukte sammenkoblingene med en løsning av såpe og vann. Bobler eller bobler som vokser er en indikasjon på lekkasje. Hvis det oppdages en lekkasje, slå av drivstoffventilen på tanken og stram sammenkoblingen. Åpne for gassen igjen og kontroller koblingen på nytt med løsningen av såpe og vann. Dersom lekkasjen fortsetter eller hvis lekkasjen ikke er i en sammenkobling, skal ikke generatoren brukes. Kontakt kundeservice.



MERKNAD

- Bruk bare standard 20 eller 30 pounds LPG-beholdere med type 1 Acme-gjenger, som går høyre.
- Påse at datostemplingen for resertifisering på beholderen ikke har gått ut.
- Alle nye beholdere må renses for luft og fukt før fylling. Brukte beholdere som ikke er plagget igjen eller holdt stengt skal også renses.
- Renseprosessen bør utføres av en LPG-forhandler. (Beholdere fra leverandører som driver med byttesalg skal være renses og fylt allerede).
- Plasser alltid beholderen slik at koblingen mellom ventilen på beholderen og gassinntaket ikke fører til skarpe bøyler eller knekker på slangen.

Tilkobling av LPG-beholder (fortsatt)

FORSIKTIG

Ikke la barn tukle med eller leke med beholderen eller slangekoblingene.

! FORSIKTIG

Bruk godkjente LPG-beholdere utstyrt med OPD-ventil (overfilling prevention device). Ha alltid beholderen i vertikal stilling med ventilen øverst og installert på bakkenivå på et flatt underlag. Beholdere må ikke installeres i nærheten av eventuelle varmekilder og skal ikke utsettes for sol, regn og støv. Under transport og lagring skal ventilen på beholderen og drivstoffventilen stenges, samt at beholderen skal kobles fra. Plugg igjen uttaket. Dette gjøres som regel med en plasthette, hvis den finnes. Hold beholderne borte fra varme, og sørg for lufting når de befinner seg i et kjøretøy.

! ADVARSEL

Dersom det er sterk lukt av gass: Steng av gasstilførselen på beholderen. Bruk såpevann til å kontrollere slangen, tilkoblingene på beholderventilen og generatoren. Såpevann gjør at eventuelle lekkasjer vises som store bobler. Ikke røyk eller tenn opp sigaretter, eller se etter lekkasjer med en fyrstikk, åpen flammekilde eller lighter. Kontakt en kvalifisert tekniker for inspeksjon og reparasjon av LPG-anlegget hvis du finner en lekkasje, før du tar i bruk generatoren.

Jording

Generatoren din må kobles til en jording for å hindre elektrisk støt.

! ADVARSEL

Å unnlate å jorde generatoren skikkelig kan føre til elektrisk støt.

Et jordingspunkt koblet til generatorens ramme er montert på strømpanelet. For fjernjording kobles det til en grov kobberkabel (12 AWG minimum) mellom jordingspunktet på generatoren og et kobberspyd som er stukket i jorden. Vi anbefaler på det sterkeste at du kontakter en kvalifisert elektriker for å sikre samsvar med lokale elektriske forskrifter.

Generatorens plassering

Bruk aldri generatoren inne i bygninger! (Se avsnittet med sikkerhetsadvarsler). I noen områder må generatorer være registrert hos det lokale strømselskapet. Generatorer som brukes på byggeplasser kan være underlagt lokale regler og forskrifter. La den stå på et flatt, jevnt underlag. Generatorer skal ha minst 5 fot (1,5 meters) klaring til alle brennbare materialer. I tillegg må de ha minst 3 fot (91,4 cm) klaring på alle sider for tilstrekkelig kjøling, vedlikehold og service. Generatorer skal aldri startes eller brukes på steder der det ikke er tilstrekkelig kjøling for generatoren og/eller eksosanlegget.. La generatorer avkjøle seg før lagring og transport. Ikke plasser generatoren i nærheten av ventilasjonsluker eller inntak. Ta hensyn til vind og luftstrømmer ved plassering av generatoren. Unnlattelse i å følge sikkerhetsinstruksjonene kan ugyldiggjøre produsentens garanti.

Unnlattelse i å følge sikkerhetsforskriftene kan ugyldiggjøre produsentens garanti.

ADVARSEL

Ikke bruk eller oppbevar generatoren i regn, snø, eller fuktig vær.

Bruk av en generator eller et elektrisk apparat i fuktige forhold, slik som regn eller snø, i nærheten av et basseng eller et sprinklersystem, eller der hendene dine er våte, kan føre til elektrisk støt.

ADVARSEL

Under drift blir eksosanlegget og avgassene som produseres varme. Hvis ikke kjøling og lufting er tilstrekkelig, eller hvis generatoren blir blokkert eller stengt inne, kan temperaturen bli ekstremt opphetet, noe som kan føre til brann

Jording

Generatorsystemets jording kobler rammen til jordingskontaktene på strømpanelet.. Systemjordingen er koblet til den nøytrale AC-ledningen.

Overspenningsvern

FORSIKTIG

Spenningsvingninger kan svekke funksjonen til sensitivt elektronisk utstyr.

Elektroniske apparater, inkludert datamaskiner og mange programmerbare apparater, bruker komponenter som er designet for å fungere innenfor et smalt spenningsområde og kan bli påvirket av øyeblikkelige spenningsvariasjoner. Selv om det ikke er noen måte å forhindre spenningsvingninger på, kan du ta noen grep for å beskytte sensitivt elektronisk utstyr.

1. Installer UL1449, CSA-godkjente, overspenningsdempere på koblingsuttakene som gir strøm til det følsomme utstyret ditt.

Overspenningsdempere leveres både til enkeltstikk og til flere. De er utformet for å beskytte mot praktisk talt alle kortvarige spenningsvingninger.

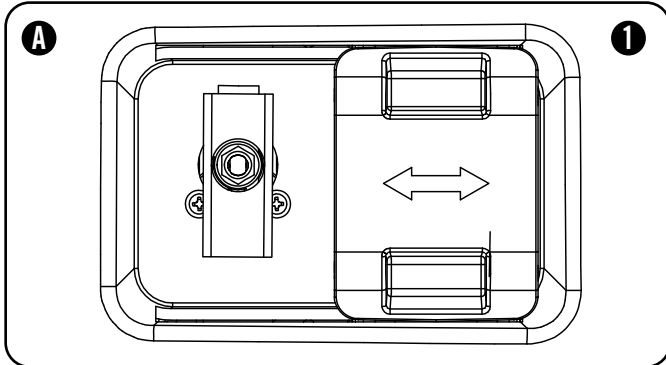
NO

OPERATION

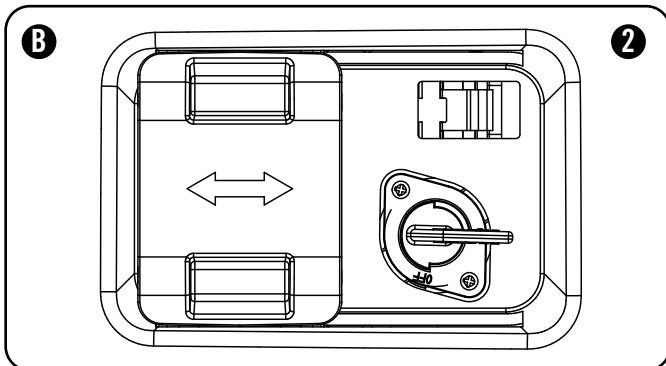
Bryter for valg av drivstoff

Drivstoffvelgerbryteren på frontpanelet på generatoren er designet spesielt for å velge mellom ønsket drivstoffkilde, bensin eller LPG.

For å velge en drivstoffkilde skyver du bare bryterdekselet til høyre eller venstre, dette vil avdekke drivstoffventilen til det valgte drivstoffet. LPG-drivstoffventilen (A) er til venstre for bryterdekselet. Bensinventilen (B) er til høyre for bryterdekselet.



Når en drivstoffkilde er valgt, må brukeren vri drivstoffventilen til vertikal stilling for å åpne den. (1)
For å vri en drivstoffventil til av-stilling, må ventilen være



i horisontal stilling. (2)

MERKNAD

Bryterdekselet til drivstoffvelgeren er spesielt designet for ikke å gli til en av sidene mens et spesifikt drivstoff er valgt og ventilen er i "ON"-stilling. Bare når drivstoffventilen er i "AV"-posisjon kan dekselet skyves fra side til side.

MERKNAD

Drivstoffvelgeren låses på plass så fort en "KLIKK"-lyd høres. Bare da kan en drivstoffventil dreies til vertikal stilling.

Starte motoren i omgivelsestemperatur på > 15 °C (59 °F)

Bensin

1. Sørg for at generatoren står på et flatt, jevnt underlag.
2. Koble alle elektriske belastninger fra generatoren. Aldri start eller stopp generatoren med elektriske apparater tilkoblet eller slått på.
3. Vri bensinventilen til "PÅ"-posisjon.
4. Flytt chokehendelen til "100 % choke"-stillingen.
 - a. For omstart av en varm motor, flytt chokehendelen til "75 % CHOKE"-stillingen.
5. Skyv batteribryteren til "PÅ"-posisjon.
6. Skyv tenningsbryteren til "PÅ"-posisjon.
7. ELEKTRISK START: Trykk og hold inne tenningsbryteren i "START"-posisjon. Slipp når motoren starter. Hvis motoren ikke starter innen fem sekunder, slipp bryteren og vent minst ti sekunder før du prøver å starte motoren igjen.
8. SNORSTART: Dra startsnoren sakte til motstand dannes, trekk deretter raskt.
9. Ikke gi for mye choke. Så snart motoren starter, flytter du chokespaken gradvis til "RUN"-posisjonen over en varighet på 2–5 sekunder.

MERKNAD

Ikke ha chokehendelen i "CHOKE"-posisjon mer enn ett trekk i startsnoren. Etter det første draget, flytt chokehendelen til "Run"-posisjon de neste 3 dragene i snorstarten. For mye choke fører til at pluggen jukser/motoren drukner på grunn av mangel på luft. Dette gjør at motoren ikke vil starte.

MERKNAD

For omstarter med varm motor i varme omgivelsestemperaturer på > 30 °C (86 °F), hold chokehendelen i "75 % choke"-stilling med 1 drag i snorstarten. Etter det første draget, flytt chokehendelen til "Run"-posisjon de neste 3 dragene i snorstarten. For mye choke fører til at pluggen jukser/motoren drukner på grunn av mangel på luft. Dette gjør at motoren ikke vil starte.

MERKNAD

For start med bensin i kalde omgivelsestemperaturer < 15 °C (59 °F), må choken være i 100 % "CHOKE"-stilling både ved elektrisk start og snorstart. Ikke gi for mye choke. Så snart motoren starter, flytter du chokespaken gradvis til "RUN"-posisjonen over en varighet på 5–20 sekunder.

LPG

1. Sørg for at generatoren står på et flatt, jevnt underlag.
2. Koble alle elektriske belastninger fra generatoren. Aldri start eller stopp generatoren med elektriske apparater tilkoblet eller slått på.
3. Åpne drivstoffkranen på LPG-beholderen helt.
4. Vri LPG-drivstoffventilen til "PÅ"-posisjon.
5. Skyv batteribryteren til "PÅ"-posisjon.
6. Skyv tenningsbryteren til "PÅ"-posisjon.
7. ELEKTRISK START: Flytt chokehendelen til "75 % choke"-stillingen.
 - a. For omstart av en varm motor,, flytt chokehendelen til "75 % CHOKE"-stillingen.
8. Trykk og hold inne tenningsbryteren i "START"-posisjon. Slipp når motoren starter. Hvis motoren ikke starter innen fem sekunder, slipp bryteren og vent minst ti sekunder før du prøver å starte motoren igjen.
9. Ikke gi for mye choke. Så snart motoren starter, flytter du chokespaken gradvis til "RUN"-posisjonen over en varighet på 2–5 sekunder.
10. SNORSTART: Flytt chokehendelen til "100 % choke"-stillingen.
 - a. For omstart av en varm motor,, flytt chokehendelen til "100 % CHOKE"-stillingen.
11. DRA FOR Å PRIME Dra startsnoren sakte til motstand dannes, trekk deretter raskt. Dra med "100 % choke" 1-2 ganger til du føler et par tenningspulser som indikerer at motoren starter.
12. Flytt chokehendelen til "RUN"-stillingen.
13. Dra startsnoren sakte til motstand dannes, trekk deretter raskt.
14. Hvis motoren ikke starter på et drag med choken i "RUN", flytt choken til "100 % choke" og gjenta DRA FOR Å PRIME-trinnet.

Start av motoren (fortsett)

 **MERKNAD**

For LPG-start i kalde omgivelsestemperaturer < 15 °C (59 °F), flytt chokehendelen til "75 % choke"-posisjon for elektrisk start og "100 % choke" for snorstart. Ved elektrisk start flytter du chokespaken gradvis til "RUN"-posisjonen over en varighet på 2–10 sekunder. For å dra for å prime: Dra med "100 % choke" 1-3 ganger til du føler et par tenningspulser som indikerer at motoren starter.

FORSIKTIG

Hvis tenningsbryteren holdes i "Start"-posisjonen i mer enn 5 sekunder kan det skade startmotoren.

 **MERKNAD**

Hvis motoren starter, men ikke fortsetter å gå, sørg for at generatoren står på et flatt, jevnt underlag. Motoren er utstyrt med en sensor for lavt oljenivå. Denne hindrer motoren fra å starte hvis oljenivået faller under en kritisk terskelgrense.

 **MERKNAD**

Når batteribryteren er i "PÅ"-stilling, lyser bryteren hvis batteriet sender ut spenning. Hvis lyset ikke lyser mens bryteren står i "PÅ"-stilling, kontroller batteritilstanden.

 **MERKNAD**

Det medfølgende 12V 15AH-batteriet lader seg opp mens motoren går, men det anbefales også at batteriet lades helt opp minst en gang i måneden.

OPERATION

Start av motoren (fortsatt)

MERKNAD

Frost på LPG-beholdere og regulatorer er normalt under bruk og er normalt ikke et tegn på at noe er galt. Når LPG går over i gassform og beveger seg fra beholderen til generatoren utvider den seg. Mengden frost som dannes kan påvirkes av størrelsen på beholderen, mengden drivstoff som brukes, fuktigheten i luften og andre driftsforhold. I uvanlige situasjoner kan denne frosten hindre gasstrømmen til generatoren, noe som kan føre til svekket ytelse. Hvis for eksempel beholdertemperaturen reduseres til et veldig lavt nivå, reduseres også hastigheten LPG-gassen fordampes. Dette kan føre til utilstrekkelig tilførsel av drivstoff til motoren. Dette er ikke en indikasjon på at noe er galt med generatoren, kun et problem med LPG-strømmen fra beholderen. Dersom generatorens ytelse påvirkes negativt samtidig som det dannes is på beholderventilen, slangen eller regulatoren, kan det iverksettes noen tiltak for å eliminere disse symptomene:

I disse sjeldne situasjonene kan det hjelpe å redusere eller eliminere effektene av kaldt drivstoffsystem ved å gjøre en av følgende ting:

- Bytte drivstoffbeholdere for å la den første varme seg opp, og gjenta etter behov
- Plassere LPG-beholderen ved håndtaket på generatoren, der motorviften blåser luft ut fra generatoren. Luften varmes en anelse når den strømmer over motoren. Beholderen skal ikke plasseres foran eksosanlegget.
- Beholderen kan midlertidig varmes opp ved å helle varmt vann over den.

Stoppe motoren

1. Slå av og koble fra alle elektriske belastninger. Aldri start eller stopp generatoren med elektriske apparater tilkoblet eller slått på.
2. La generatoren gå uten belastning i noen minutter for å stabilisere den innvendige temperaturen på motoren og generatoren.
3. Vri bensinventilen til "AV"-posisjon ved bensindrift.
4. Drei hjulet på LPG-beholderen til "LUKKET" eller avslått posisjon ved LPG-drift.
5. La motoren gå til den stopper på grunn av drivstoffmangel. Dette tar som regel et par minutter.
6. Skyv tenningsbryteren til "AV"-posisjon.
7. Skyv batteribryteren til "AV"-posisjon.

Viktig: Påse alltid at drivstoffventilen og tenningsbryteren er i "AV"-posisjon når motoren ikke er i bruk.

Stopp av motoren (fortsatt)

MERKNAD

Når generatoren slås av etter drift på LPG-drift, påse at knotten på LPG-beholderen er i helt lukket posisjon.

MERKNAD

Hvis generatoren ikke skal brukes i mer enn to (2) uker eller mer, se avsnittet for lagring for riktig lagring av motor og drivstoff.

Tilkobling av elektriske belastninger

1. La motoren stabilisere seg og varmes opp et par minutter etter oppstart.
2. Koble til og slå på ønsket elektrisk belastning på 220 AC i enkeltfase på 50 Hz.
 - IKKE koble 3-fasede belastninger til generatoren.
 - IKKE koble belastninger på 60 hertz til generatoren.
 - IKKE overbelast generatoren.

MERKNAD

Tilkobling av en generator til kraftselskapets nett eller til en annen strømkilde kan stride mot lovverket. I tillegg kan denne handlingen, hvis den utføres på feil måte, skade generatoren din og apparatene dine, og forårsake alvorlig skade og død for deg eller en ansatt i strømselskapet som jobber på kraftlinjer i nærheten. Hvis du har planer om å bruke en elektrisk generator ved et strømbrudd, gi beskjed til strømselskapet ditt umiddelbart og husk å koble apparatene dine rett inn i generatoren. Ikke koble generatoren til eventuelle stikkontakter i hjemmet ditt. Dette kan føre til at du kobler deg til strømselskapets kraftlinjer. Du er ansvarlig for å påse at elektrisiteten som generatoren din produserer ikke mates tilbake i strømmettet. Dersom generatoren skal kobles til det elektriske anlegget i en bygning, kontakt det lokale strømselskapet eller en kvalifisert elektriker. Koblingene må isolere generatorstrømmen fra strømmettet og må overholde alle gjeldende lover og forordninger.

Ikke overbelast generatoren

Kapasitet

Følg disse enkle trinnene for å beregne drifts- og oppstartswatt til dine behov:

1. Velg de elektriske apparatene du skal bruke samtidig.
2. Slå sammen wattstyrken på disse. Dette er den mengden strøm du trenger for å holde enhetene dine i gang.
3. Kartlegg høyeste oppstartswatt fra alle enheter i trinn 1. Legg dette tallet til antallet beregnet i trinn 2. Oppstartswatt er den ekstra kraften som trengs akkurat i det øyeblikket enkelte elektriske apparater starter opp. Ved å følge trinnene som er listet opp under "Strømstyring" garanteres det at bare en enhet starter av gangen.

Strømstyring

Bruk følgende formel til å konvertere volt og ampere til watt:

$$\text{Volt x ampere} = \text{Watt}$$

For å forlenge levetiden til generatoren din og de tilkoblede enhetene, følg disse trinnene for å legge til elektrisk belastning:

1. Start generatoren uten noen elektriske belastninger tilkoblet
2. La motoren gå i noen minutter slik at den får stabilisert seg.
3. Koble til og slå på det første apparatet. Det er best å koble til det apparatet som har den største belastningen først.
4. La motoren stabilisere seg.
5. Koble til og slå på det neste apparatet.
6. La motoren stabilisere seg.
7. Gjenta trinnene 5-6 for hvert ekstra apparat.

MERKNAD

Aldri overskrid den spesifiserte kapasiteten når generatoren belastes.

MAINTENANCE AND STORAGE

Eieren/brukeren er ansvarlig for alt periodisk vedlikehold. Utfør alt planlagt vedlikehold på riktig måte. Korrigjer

⚠ ADVARSEL

Aldri bruk en skadet eller defekt generator.

⚠ ADVARSEL

Tukling med den fabrikkinnstilte styringen for blanding av luft og drivstoff ugyldiggjør garantien din.

⚠ ADVARSEL

Feil vedlikehold gjør garantien din ugyldig.

💬 MERKNAD

Vedlikehold, utskiftning eller reparasjon av styringsenheter for avgassutslipp og systemer kan utføres av alle motorverksteder eller individer som ikke driver med kjøretøy.

eventuelle feil før generatoren tas i bruk.

Motorvedlikehold

For å forhindre utilsiktet start, fjern og koble tennpluggen til jord før eventuell service utføres.

Olje

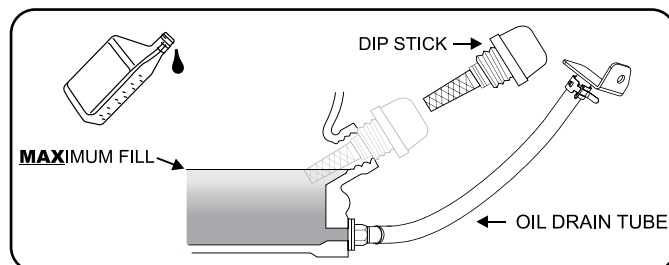
Bytt olje når motoren er varm. Se på oljespesifikasjonen for å velge riktig oljeviskositet til akkurat ditt driftsmiljø.

1. Fjern oljetappepluggen med en 15 mm pipe og forlenger (ikke inkludert).
2. La oljen kan tømmes helt.
3. Sett inn tappepluggen igjen.
4. Fjern oljepåfyllingslokket/peilepinnen for å fylle på olje.
5. Fyll på olje og sett på oljepåfyllingslokket/peilepinnen igjen. **IKKE FYLL FOR MYE.**
6. Avhend brukt olje på et godkjent oppsamlingssted.

Olje (fortsett)

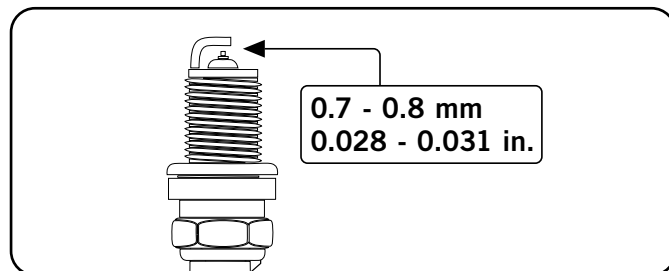
💬 MERKNAD

Når olje er fylt på, skal det gjøres en visuell sjekk. Den skal vise olje omtrent 1-2 gjenger ned i påfyllingshullet. Hvis det benyttes en peilepinne til å kontrollere oljenivået, **IKKE** skru inn peilepinnen når du sjekker.



Tennplugger

1. Fjern pluggledningen fra tennpluggen.
2. Bruk en pluggnøkkel (ikke inkludert) til å fjerne pluggen med.
3. Undersøk elektroden på pluggen. Den skal være ren og ikke slitt for å lage gnisten som kreves for tenning.
4. Påse at tennpluggspalten er 0,7 - 0,8 mm eller



(0.028 - 0.031 tommer).

5. Se i oversikten over anbefalte tennplugger ved utskiftning av pluggen.
6. Skru pluggen forsiktig inn i motoren.
7. Bruk en pluggnøkkel (medfølger ikke) til å stramme pluggen med.
8. Fest pluggledningen på tennpluggen.

OEM tennplugg: F6RTC

Erstatningstennplugg: NGK BPR6ES eller tilsvarende

Sørg for at *tennpluggavstanden er 0,7 - 0,8 mm eller (0,028 - 0,031 tommer).

Vedlikeholdsventilklaring

- Inntak: 0.13 - 0.17 mm (0.005 - 0.007 in.)

- Eksos: 0.18 - 0.22 mm (0.007 - 0.009 in.)

Merk: Teknisk bulletin angående ventiljusteringsprosedyren er på

www.championpowerequipment.com

Luftfilter

1. Fjern klipsdekslet som holder luftfilteret i kassetten.
2. Ta ut skumelementet.
3. Vask i flytende rengjøringsmiddel og vann. Klem det helt tørt i en ren klut.
4. Dynk det i ren motorolje.
5. Klem det i en ren, absorberende klut for å fjerne all overflødig olje.
6. Sett filteret tilbake på plass.
7. Sett på luftfilterdekslet igjen og trykk det på plass.

Gnistfanger

1. La motoren avkjøle seg fullstendig før det utføres service på gnistfangeren.
2. Fjern skruene som holder dekslet som fester enden av gnistfangeren til eksosanlegget.
3. Fjern duken fra gnistfangeren.
4. Fjern forsiktig karbonavleiringene fra gnistfangerduken med en stålbørste.
5. Bytt ut gnistfangeren hvis den er skadet.
6. Sett gnistfangeren på eksosanlegget og fest med skruene.

FORSIKTIG

Ved å unnlate å rengjøre gnistfangeren reduseres motorens ytelse.

Rengjøring

FORSIKTIG

IKKE sprut vann på motoren.

Vann kan forurense drivstoffsystemet.

Bruk en fuktig klut for å rengjøre de utvendige flatene på motoren.

Bruk en børste med myk bust til å fjerne smuss og olje. Bruk en luftkompressor (25 PSI) til å fjerne smuss og rusk fra motoren.

Justeringer

Blanding av luft og drivstoff er ikke justerbar. Tukling med styringen for blanding av luft og drivstoff kan skade generatoren og de elektriske apparatene din, og ugyldiggjør garantien din.

Vedlikeholdsplan

Følg serviceintervallene som er indikert på følgende vedlikeholdsplan.

Ta service hyppigere på generatoren din når den brukes under ugunstige forhold.

Hver 8. time eller daglig	
	Sjekk oljenivået
	Rengjør rundt luftinntaket og eksosanlegget
	Sjekk slanger for lekkasjer
De første 5 timene	
	Bytt olje
Hver 50. time eller hver sesong	
	Rengjør luftfilteret
	Bytt olje ved høy belastning eller ved bruk i varme omgivelser
Hver 100. time eller hver sesong	
	Bytt olje
	Rens/juster tennpluggen
	Kontroller/juster ventilklaringen*
	Rengjøring av gnistfanger
	Rengjøring av bensintank og filter*
Hver 250. time	
	Rengjøring av forbrenningskammer*
Hvert 3. år	
	Skift ut drivstoffslange og LPG-slange

*Skal utføres av kunnskapsrike, erfarne eiere eller CPE-sertifiserte servicesentre.

Vedlikehold av generatoren

Sørg for at generatoren holdes ren og lagres riktig. Enheten skal bare brukes på et flatt, jevnt underlag i et rent, tørt driftsmiljø. IKKE utsett enheten for ekstreme forhold, overdrevne støvmengder, smuss, fukt eller etsende damp.

FORSIKTIG

IKKE bruk hageslangen til å rengjøre generatoren med.

Vann kan trenge inn i generatoren via kjølespaltene og skade generatorviklingene.

Bruk en fuktig klut for å rengjøre de utvendige flatene på generatoren.

Bruk en børste med myk bust til å fjerne smuss og olje. Bruk en luftkompressor (25 PSI) til å fjerne smuss og rusk fra generatoren.

Inspiser alle luftventiler og kjølespalter for å sikre at de er rene og ikke tilstoppet av noe.

MAINTENANCE AND STORAGE

Lagring

Generatoren skal startes minst en gang hver 14. dag og la den gå i minst 20 minutter. For langidslagring, følg disse retningslinjene.

Lagring av generatoren

1. Fyll en drivstoffstabilisator som er riktig formulert på tanken.
2. Sørg for at alle apparater er koblet fra generatoren.
3. Kjør generatoren i et par minutter slik at det behandlede drivstoffet går gjennom drivstoffsystemet og forgasseren.
4. Vri drivstoffventilen til "Av"-posisjon.
5. La generatoren gå til den stopper på grunn av drivstoffmangel. Dette tar som regel et par minutter.
6. Generatoren må avkjøles helt før rengjøring og lagring.
7. Rengjør generatoren i henhold til avsnittet om vedlikehold.
8. Bytt oljen.
9. Fjern tennpluggen og hell omtrent 14,8 ml (1/2 unse) med olje inn i sylindren. Sveiv motoren sakte for å fordele oljen og smøre sylindren.
10. Sett på tennpluggen igjen.
11. Oppbevar enheten på et rent, tørt sted, skjermet mot direkte sollys.

FARE

Generatoreksos inneholder karbonmonoksid, en fargeløs og luktfri gass.

For å hindre at den fjernstyrte generatoren din tenner utilsiktet ved lagring, bør følgende forhåndsregler følges:

- Ved lagring av generatoren i kortere tidsperioder, sørg for at tenningsbryteren, drivstoffventilen og batteribryteren er i AV-stilling.
- Ved lagring av generatoren i lengre tidsperioder, sørg for at tenningsbryteren, drivstoffventilen og batteribryteren er i AV-stilling, og at ledningene er koblet fra batteriet.

Generatorbatteri

Dette produktet er utstyrt med en automatisk batteriladekrets. Batteriet tar i mot ladespenning mens motoren går. Batteriet opprettholder riktig lading hvis enheten brukes regelmessig (omtrent en gang annenhver uke). Hvis det brukes sjeldnere, bør batteriet kobles til en vedlikeholdslader (ikke inkludert) eller batterilader (ikke inkludert) for å holde batteriet tilstrekkelig oppladet. Hvis batteriet ikke er i stand til å starte motoren, kan det startes ved å trekke manuelt i snorstarten. Hvis batterispenningen er ekstremt lav, kan det hende at batteriladekretsen ikke er i stand til å lade opp batteriet. Hvis så er tilfelle, må batteriet kobles til en standard billader for opplading før det kan brukes.

Frakobling av batteriet

1. Fjern beskyttelsesdekslet fra den sorte/negative ledningen på batteriet.
2. Koble fra den sorte/negative ledningen fra den sorte/negative terminalen på batteriet og legg hetteskruen (M5x10) og mutteren (M5) til side.
3. Gjenta trinn 1-2 for den røde/positive batteriledningen.
4. Lagre batteriet på et kjølig, tørt sted.

Lading av batteriet

For en generator utstyrt med batterier for elektrisk start, bør prosedyrer riktig batterivedlikehold og lagring følges. En automatisk batterilader (ikke inkludert) med automatisk vedlikeholdslading bør brukes til å lade batteriet. Maksimal lading bør ikke overskride 1,5 ampere. Følg instruksjonene som følger med batteriladeren. Batteriet skal lades helt opp minst en gang i måneden.

MERKNAD

En vedlikeholdslader opprettholder batteriets tilstand over lengre lagringsperioder.

Problem	Årsak	Løsning
Generatoren starter ikke	Ikke noe drivstoff	Fyll på drivstoff
	Svikt i tennplugg	Skift ut tennpluggen
	Enhet belastet under oppstart	Fjern belastning fra enheten
Generatoren starter ikke: Generatoren starter, men går ujevnt.	Lavt oljenivå.	Fyll veivhøyet til riktig nivå.
		Plasser generatoren på et flatt, jevnt underlag.
	Choken er i feil posisjon.	Juster choken.
Generatoren starter ikke:	Pluggkabelen er løs.	Fest ledningen til tennpluggen.
	Generatorbatteri er dødt	Lad opp generatorbatteriet
Generatoren starter ikke:	Batteribryteren er i "AV"-posisjon.	Vri batteribryteren til "PÅ"-posisjon.
	Tomt for drivstoff	Fyll opp bensintanken eller fyll opp LPG-beholderen
Generatoren slår seg av under drift.	Lavt oljenivå.	Fyll veivhøyet til riktig nivå. Plasser generatoren på et flatt, jevnt underlag.
	Generatoren er overbelastet.	Se over belastningen og juster. Se "Strømstyring"
Generatoren klarer ikke å levere nok strøm eller den overopphetes	Utilstrekkelig ventilasjon	Se etter luftblokkeringer. Flytt til et område med god ventilasjon
	Kabel ikke skikkelig tilkoblet	Kontroller alle tilkoblinger
Ingen AC-strøm	Tilkoblet enhet er defekt	Skift ut defekt enhet
	Effektbryter er åpen	Tilbakestill effektbryter
	Feil på børster	Skift ut børster (servicesenter)
	Feil på AVR (auto voltage regulator, automatisk spenningsregulator)	Skift ut AVR (servicesenter)
	Løse kabler	Inspiser og stram kabelkoblinger
	Annet	Kontakt hjelpetelefonen
Gjentatte utslag på effektbryter	Overbelastning	Se over belastningen og juster. Se "Strømstyring"
	Svikt i ledninger eller enhet	Se etter ødelagte, bare, eller frynsete ledninger. Skift ut defekt enhet

INTRODUCTION

Félicitations pour votre achat d'un produit Champion Power Equipment (CPE). CPE conçoit, construit et prend en charge tous nos produits selon des spécifications et directives strictes. Avec les connaissances adéquates du produit, une utilisation sécurisée et un entretien régulier, ce produit devrait vous apporter de nombreuses années de service satisfaisant.

Tout est mis en œuvre pour assurer l'exactitude et le caractère exhaustif des informations de ce manuel au moment de la publication. Nous nous réservons le droit de modifier, d'altérer et/ou d'améliorer le produit et ce document à tout moment, sans préavis.

CPE accorde une grande valeur à la manière dont nos produits sont conçus, fabriqués, opérés et entretenus, ainsi qu'à fournir une sécurité à l'opérateur et aux personnes se trouvant aux alentours du générateur. Par conséquent, il est **IMPORTANT** de consulter attentivement ce manuel du produit et les autres documents du produit et d'être pleinement conscient et bien connaître le montage, l'opération, les dangers et l'entretien du produit avant utilisation. Familiarisez-vous pleinement avec celui-ci et veillez à ce que les autres personnes qui ont l'intention d'utiliser le produit se familiarisent également pleinement avec les procédures correctes de sécurité et d'opération avant chaque utilisation. Merci de toujours faire preuve de bon sens et de précaution lors de l'opération du produit pour veiller à ce qu'aucun accident, dommage matériel ni blessure ne survienne. Nous souhaitons que vous puissiez utiliser et être satisfait de votre produit CPE pour les années à venir.

Si vous contactez CPE concernant des pièces de rechange et/ou un entretien, vous devrez fournir les numéros de modèle et de série complets de votre produit. Reécrivez les informations indiquées sur l'étiquette signalétique de votre produit dans le tableau ci-dessous.

ÉQUIPE D'ASSISTANCE TECHNIQUE CPE

NUMÉRO DU MODÈLE

CPG3500-DF/CPG7500-DF

NUMÉRO DE SÉRIE

DATE D'ACHAT

LIEU D'ACHAT

DÉFINITIONS DE SÉCURITÉ

L'objectif des symboles de sécurité est d'attirer votre attention sur les possibles dangers. Les symboles de sécurité et leurs explications méritent votre attention complète et votre compréhension. Les avertissements de sécurité n'éliminent pas tous les dangers à eux seuls. Les instructions ou les avertissements qu'ils donnent ne se substituent pas des mesures adéquates de prévention des accidents.

DANGER

DANGER indique une situation de danger qui, si elle ne peut être évitée, résultera en le décès ou des blessures graves.

AVERTISSEMENT

AVERTISSEMENT indique une situation de danger qui, si elle ne peut être évitée, pourrait résulter en le décès ou des blessures graves.

PRÉCAUTION

PRÉCAUTION indique une situation de danger qui, si elle ne peut être évitée, pourrait résulter en des blessures mineures ou modérées.

REMARQUE

REMARQUE indique des informations considérées comme importantes, mais non liées à un danger (par ex. des messages concernant des dégâts matériels).

INSTRUCTIONS IMPORTANTES DE SÉCURITÉ

DANGER

Les gaz d'échappement du générateur contiennent du monoxyde de carbone, un gaz incolore, inodore et toxique. Le fait de respirer du monoxyde de carbone cause des nausées, des étourdissements, des évanouissements ou le décès. Si vous connaissez à ressentir des étourdissements ou à vous sentir faible, sortez immédiatement respirer de l'air frais.

FAITES FONCTIONNER LE GÉNÉRATEUR EN EXTÉRIEUR, UNIQUEMENT DANS UNE ZONE BIEN VENTILÉE ET FAITES S'ÉVACUER LES GAZ D'ÉCHAPPEMENT.

NE faites PAS fonctionner le générateur en intérieur dans un bâtiment, y compris dans des garages, un véhicule, des caves, des vides sanitaires et des hangars, des enceintes ou compartiments, y compris le compartiment du générateur d'un véhicule de loisir ou de n'importe quel véhicule.

NE laissez PAS les gaz d'échappement pénétrer dans une zone confinées par des fenêtres, des portes, des aérations ou autres ouvertures.

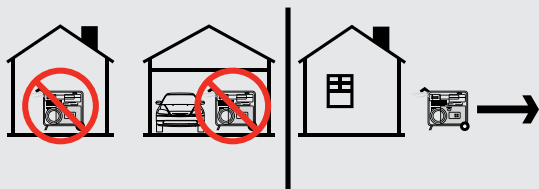
DANGER

Utiliser un générateur en intérieur **PEUT VOUS TUER EN QUELQUES MINUTES**. Les gaz d'échappement du générateur contiennent du monoxyde de carbone. Il s'agit d'un gaz incolore, inodore et toxique.

N'UTILISEZ JAMAIS dans un domicile, un bâtiment, un hangar, un garage, un véhicule ou un espace confiné, **MÊME SI** les portes et fenêtres sont ouvertes et que la zone est bien ventilée.

UTILISEZ uniquement **EN EXTÉRIEUR** et loin des fenêtres, portes et aérations.

N'UTILISEZ JAMAIS le générateur avec une extension de silencieux ou des systèmes d'extraction ajoutés car cela annulera votre garantie.



Installez des détecteurs de monoxyde de carbone fonctionnant sur pile ou des détecteurs de monoxyde de carbone à brancher avec batterie de secours, selon les instructions du fabricant.

AVERTISSEMENT

Bien que le générateur comprenne un pare-étincelles, maintenez une distance minimale de 5 pieds (1,5 m) avec la végétation sèche pour éviter les incendies.

DANGER

Faites fonctionner l'équipement avec les protections en place.

Il est possible que les mains, les pieds, les vêtements et/ou les accessoires s'empêtrent dans les parties rotatives. Il peut en résulter une amputation traumatique ou une grave lacération.

Gardez les mains et les pieds éloignés des parties rotatives.

Attachez les cheveux longs et retirez les bijoux.

NE portez PAS de vêtements amples, de cordons qui pendent ni d'éléments pouvant se retrouver piégés.

DANGER

Le générateur produit une puissante tension.

NE touchez PAS des câbles nus ni des récipients.

N'utilisez PAS de cordons électriques usés, endommagés ou effilochés. Utilisez uniquement des cordons électriques Champion pour une application correcte.

NE faites PAS fonctionner le générateur dans des conditions météorologiques humides, y compris la pluie et la neige.

NE laissez PAS des enfants âgés de moins de 18 ans ni des personnes non qualifiées faire fonctionner ou entretenir le générateur.

Utilisez un disjoncteur différentiel de fuite à la terre (DDFT) dans les zones humides et dans les zones comprenant des matériaux conducteurs, comme des revêtements métalliques.

Le raccordement au système électrique de votre domicile nécessite un commutateur de transfert 30 A homologué installé par un électricien agréé et approuvé par l'autorité locale compétente. La connexion doit isoler le générateur de l'électricité du réseau et doit se conformer à toutes les lois applicables et à tous les codes de l'électricité.

AVERTISSEMENT

N'utilisez pas le générateur pour des systèmes médicaux ou de survie.

En cas d'urgence, appelez immédiatement les services de secours (911 ou 112).

N'utilisez JAMAIS ce produit pour alimenter des appareils ou dispositifs de réanimation.

N'utilisez JAMAIS ce produit pour alimenter des appareils ou dispositifs médicaux.

Informez immédiatement votre fournisseur d'électricité si vous ou une personne de votre foyer dépendez d'un équipement électrique pour survivre.

Informez immédiatement votre fournisseur d'électricité si une coupure de courant vous mettrait vous ou une personne de votre foyer dans une situation d'urgence médicale.

AVERTISSEMENT

L'étincelle du fil de bougie retiré peut résulter en un incendie ou un choc électrique.

Lors de l'entretien du générateur :

Déconnectez le fil de bougie et placez-le là où il ne peut pas entrer en contact avec la bougie ni tout autre objet en métal.

NE vérifiez PAS l'étincelle avec la bougie retirée.

Utilisez uniquement des testeurs de bougies d'allumage approuvés.

AVERTISSEMENT

Les moteurs en fonctionnement peuvent produire de la chaleur. Des graves brûlures peuvent avoir lieu lors d'un contact. Le matériau combustible peut s'enflammer lors d'un contact.

NE touchez PAS les surfaces chaudes.

Évitez un contact avec les gaz d'échappement chauds.

Laissez l'équipement refroidir avant de le toucher.

Maintenez au moins 3 pieds (91,4 cm) d'espace de tous les côtés pour assurer un refroidissement adéquat.

Maintenez au moins 5 pieds (1,5 cm) d'espace par rapport aux matériaux combustibles.

AVERTISSEMENT

Une rétractation rapide du cordon de recul tirera la main et le bras vers le moteur plus rapidement qu'il vous serait possible de lâcher. Il pourrait en résulter des os cassés, des fractures, des contusions ou des entorses. Un démarrage non intentionnel peut résulter en un enchevêtrement, une amputation traumatique ou une laceration. Les assemblages de recul ne font pas partie de la garantie offerte.

Lors du démarrage du moteur, tirez lentement le cordon de recul jusqu'à ce que vous sentiez une résistance puis tirez rapidement pour éviter un rebond.

NE démarrez ni n'arrêtez PAS le moteur avec des appareils électriques branchés et allumés.

NE tirez PAS vigoureusement le cordon de recul, vous risqueriez d'endommager le mécanisme et d'annuler la garantie offerte.

PRÉCAUTION

Le fait d'excéder la capacité de fonctionnement du générateur peut endommager le générateur et/ou les appareils électriques qui y sont connectés.

NE surchargez PAS le générateur.

N'altérez PAS la vitesse régulée.

NE modifiez PAS le générateur en aucune façon.

PRÉCAUTION

Démarrez le générateur et laissez le moteur se stabiliser avant de connecter des charges électriques.

Connectez des équipements électriques en position fermée, puis allumez-les pour le fonctionnement.

Éteignez l'équipement électrique et déconnectez-le avant d'arrêter le générateur.

PRÉCAUTION

Un mauvais traitement ou une mauvaise utilisation du générateur peut l'endommager, raccourcir sa durée de vie ou annuler la garantie.

Utilisez le générateur uniquement pour ses utilisations prévues.

Utilisez uniquement sur des surfaces de niveau.

N'exposez PAS le générateur à une humidité excessive, à de la poussière, à de la saleté ni à de l'eau.

NE laissez PAS de matériau obstruer les fentes de refroidissement.

Si les appareils connectés surchauffent, éteignez-les et déconnectez-les du générateur.

N'utilisez PAS le générateur si :

- La puissance électrique s'arrête
- L'équipement émet des étincelles, des fumées ou des flammes
- L'équipement vibre de manière excessive

Sécurité du carburant

DANGER

L'ESSENCE, LES VAPEURS D'ESSENCE ET LE PROPANE (GPL) SONT HAUTEMENT INFLAMMABLES ET EXPLOSIFS.

Un incendie ou une explosion peut causer de graves brûlures voire le décès.

Essence et vapeurs d'essence :

- L'essence est hautement inflammable et explosive.
- L'essence peut causer un incendie ou une explosion si elle est allumée.
- L'essence est un carburant liquide mais ses vapeurs peuvent s'enflammer.
- L'essence est irritante pour la peau et doit immédiatement être nettoyée en cas de déversement sur la peau ou sur les vêtements.
- L'essence possède une odeur particulière, ce qui vous aidera à détecter rapidement les potentielles fuites.
- Dans le cas d'un incendie de gaz de pétrole, les flammes ne doivent pas être éteintes à moins que la vanne d'alimentation en carburant puisse être fermée. Ceci est dû au fait que si un

incendie est éteint et si l'alimentation en carburant n'est pas fermée, il pourrait alors se créer un danger d'explosion.

- L'essence se dilate ou se contracte selon la température ambiante. Ne remplissez jamais le réservoir d'essence à sa pleine capacité, car l'essence a besoin d'espace pour se dilater si la température augmente.

GPL :

- Le GPL est hautement inflammable et explosif.
- Le GPL est sous pression et peut causer un incendie ou une explosion s'il est allumé.
- Le GPL est plus lourd que l'air et peut se déposer dans des endroits bas tout en se dissipant.
- Le GPL possède une odeur particulière ajoutée, ce qui vous aidera à détecter rapidement les potentielles fuites.
- Dans le cas d'un incendie d'essence de pétrole, les flammes ne doivent jamais être éteintes à moins que la vanne d'alimentation en carburant ne soit fermée. Ceci est dû au fait que si un incendie est éteint et si l'alimentation en carburant n'est pas fermée, il pourrait alors se créer un danger d'explosion.
- Lorsque vous échangez des bouteilles de GPL, assurez-vous que le robinet de la bouteille est du même type.
- Gardez toujours la bouteille de GPL en position verticale.
- Le GPL brûlera la peau s'il entre en contact avec cette dernière. Gardez tout GPL à l'écart de la peau à tout moment.

Lots de l'ajout ou de la suppression de l'essence :

N'allumez ni ne fumez PAS de cigarettes près du générateur.

Éteignez le générateur et laissez-le refroidir pendant au moins dix minutes avant de retirer le bouchon d'essence. Desserrez lentement le bouchon pour diminuer la pression dans le réservoir.

Ne remplissez ou ne videz l'essence qu'en extérieur, dans une zone bien ventilée.

N'insérez PAS directement la pompe à essence dans le générateur à la station-service. Utilisez un contenant approuvé pour transférer l'essence au générateur.

NE remplissez PAS le réservoir d'essence de manière excessive.

N'essayez PAS d'ajouter du carburant lorsque le moteur est chaud ou fonctionne.

Conservez toujours l'essence loin des étincelles, des flammes nues, des veilleuses, de la chaleur et d'autres sources d'allumage.

Lors du démarrage du générateur :

N'essayez PAS de démarrer un générateur endommagé.

Veillez à ce que le bouchon d'essence, le filtre à air, la bougie d'allumage, les lignes de carburant et le système d'échappement soient correctement en place.

Laissez les déversements d'essence s'évaporer entièrement avant d'essayer d'allumer le moteur.

Assurez-vous que le générateur repose fermement sur un sol de niveau.

Lors du fonctionnement du générateur :

NE déplacez ni ne basculez PAS le générateur pendant le fonctionnement.

NE basculez PAS le générateur et ne laissez PAS de l'essence ou de l'huile se déverser.

N'essayez PAS d'ajouter du carburant lorsque le moteur est chaud ou fonctionne.

Lors du transport ou de l'entretien du générateur :

Veillez à ce que la vanne de carburant soit en position fermée et à ce que le réservoir d'essence soit vide.

Pour les modèles compatibles avec le GPL, assurez-vous que la bouteille de GPL est déconnectée et stockée en toute sécurité à l'écart du générateur.

Déconnectez le fil de la bougie d'allumage.

Lors du stockage du générateur :

Stockez l'essence loin des étincelles, des flammes nues, des veilleuses, de la chaleur et d'autres sources d'allumage.

Ne stockez pas le générateur, l'essence ni les bouteilles de GPL près d'un fourneau, d'un chauffe-eau ni d'autres appareils qui produisent de la chaleur ou possèdent des allumages automatiques.

AVERTISSEMENT

N'utilisez jamais un contenant d'essence, un réservoir d'essence, un tuyau de raccord de GPL, une bouteille de GPL ou tout autre article pour essence qui serait cassé, coupé, tordu ou endommagé.

Retirez le générateur du carton d'expédition:

1. Placez le carton d'expédition sur une surface solide et plane.
2. Retirez tout du carton sauf le générateur.
3. Coupez soigneusement chaque coin de la boîte de haut en bas. Pliez chaque côté à plat sur le sol pour fournir une surface pour installer le kit de roues et le pied de support.

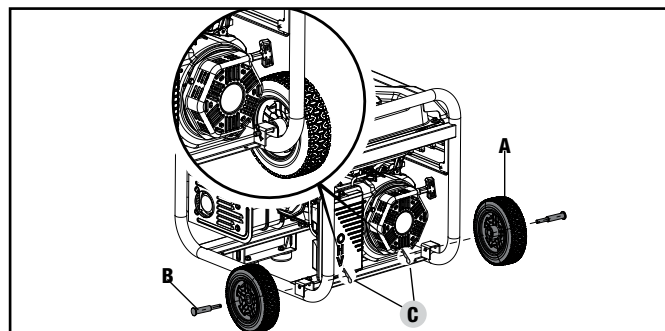
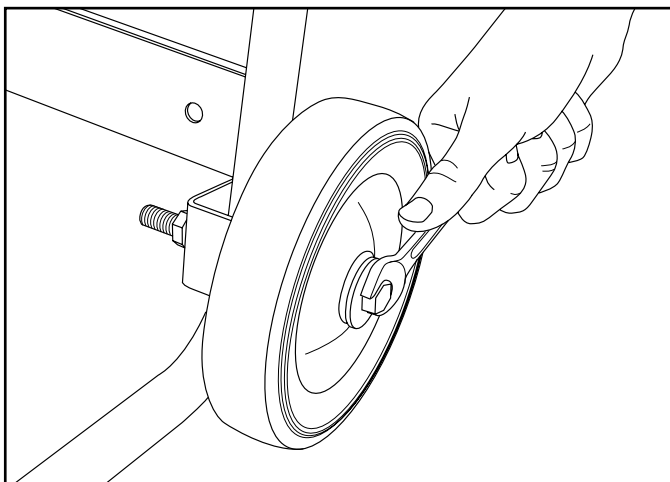
Installer le kit de roues

PRÉCAUTION

Le kit de roues n'est pas destiné à une utilisation sur route.

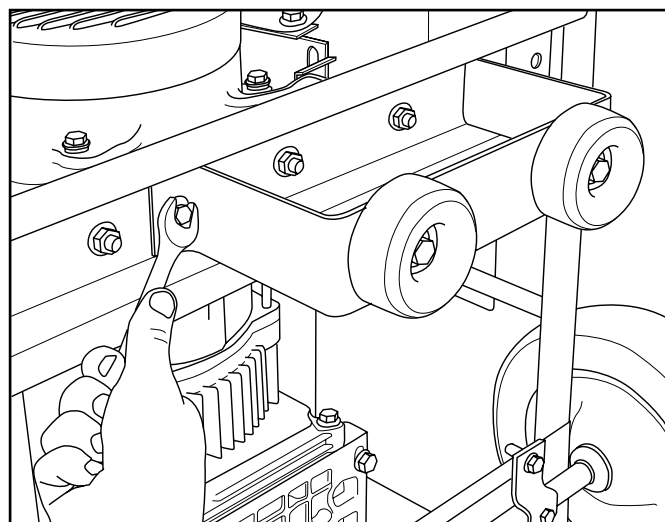
Vous aurez besoin des outils suivants pour installer les roues :

- Clé à molette (non incluse)
 - Clé à douille (non incluse)
 - Pincettes (non incluses)
1. Avant d'ajouter du carburant et de l'huile, inclinez le générateur sur le côté
 2. Faites glisser le boulon de roue à travers la rondelle plate, la douille et la roue.
 3. Faites glisser le boulon à travers le point de montage sur le cadre.
 4. Fixez solidement avec le contre-écrou.
 5. Répétez les étapes 2 à 4 pour fixer la deuxième roue.



Installez la jambe de force

Fixez le pied de support au châssis du générateur avec un boulon à bride et des contre-écrous à bride. Basculez lentement le générateur pour qu'il repose sur les roues et le pied de support.



Installer la poignée (modèles sélectionnés)

1. Placez la poignée sur le canal de montage sur le Cadre.
2. Fixez la poignée au cadre à l'aide des deux poignées boulons.
3. Placez le contre-écrou à l'extrémité de chaque boulon et attachez solidement. NE PAS trop serrer les contre-écrous

Connectez la batterie

1. Retirez le couvercle de protection du fil rouge (+) de la batterie.
2. Fixez le fil rouge (+) à la borne rouge (+) de la batterie avec le boulon à bride et fixez avec l'écrou à bride.
3. Répétez les étapes 1 et 2 pour le câble de batterie noir (-).

Installer le kit de roues - 2 (modèles sélectionnés)

1. Avant d'ajouter du carburant et de l'huile, inclinez le générateur sur son fin de recul.
2. Faites glisser la goupille cylindrique (B) à travers la roue (A) du dehors.
3. Faites glisser la goupille cylindrique à travers le point de montage sur le cadre.
4. Fixez avec le clip en R (C).
5. Répétez l'opération pour fixer la deuxième roue.

MONTAGE

Ajout d'huile moteur

⚠ PRÉCAUTION

N'essayez PAS de faire tourner ni de démarrer le moteur avant qu'il ne soit correctement rempli avec le type et la quantité d'huile recommandée. En cas de non-respect de ces instructions, les dégâts résultant faits au générateur annuleront votre garantie.

💬 REMARQUE

Le rotor du générateur possède un roulement à billes scellé et pré-lubrifié qui ne nécessite pas d'ajout de lubrifiant pendant la durée de vie du roulement.

💬 REMARQUE

Le type d'huile recommandé pour une utilisation typique est de **l'huile pour automobile 10W-30 fournie**.

En cas de fonctionnement du générateur dans des températures extrêmes, référez-vous au tableau suivant pour le type d'huile recommandé.

Recommended Engine Oil Type	
	10W-30
	5W-30
	10W-40
	5W-30 Full Synthetic
°F	-20 0 20 40 60 80 100 120
°C	-28.9 -17.8 -6.7 4.4 15.6 26.7 37.8 48.9
Ambient temperature	

1. Placez le générateur sur une surface plane et de niveau.
2. Retirez le bouchon de remplissage d'huile/la jauge pour ajouter de l'huile.
3. Ajoutez de l'huile et remplacez le bouchon/jauge de remplissage d'huile. NE PAS TROP REMPLIR.
4. Vérifiez quotidiennement le niveau d'huile moteur et ajoutez-en au besoin

💬 REMARQUE

Une fois l'huile ajoutée, une inspection visuelle devrait montrer l'huile à 1-2 marques de débordement du trou de remplissage.

Lors de l'utilisation de la jauge pour vérifier le niveau d'huile, NE vissez PAS la jauge lors de la vérification.

⚠ PRÉCAUTION

Ne remplissez PAS l'huile de manière excessive car cela pourrait résulter en des dégâts au moteur et une fuite depuis la partie supérieure.

💬 REMARQUE

Vérifiez souvent le niveau d'huile pendant la période de rodage. Référez-vous à la section Entretien pour les intervalles d'entretien recommandés.

⚠ PRÉCAUTION

Ce moteur est équipé d'un coupe en cas de faible niveau d'huile et s'arrêtera quand le niveau d'huile du carte se situe en-dessous du niveau seuil.

💬 REMARQUE

Les 5 premières heures de fonctionnement constituent la période de rodage de l'appareil. Pendant la période de rodage, restez à ou en-dessous de 50 % de la puissance nominale en watts et variez la charge occasionnellement pour permettre aux enroulements du stator de chauffer et de refroidir. L'ajustement de la charge fera également que la vitesse du moteur varie légèrement et aidera à asseoir les segments de piston. Changez l'huile après la période de rodage de 5 heures.

💬 REMARQUE

Il est possible d'utiliser de l'huile synthétique après la période initiale de rodage de 5 heures. L'utilisation d'huile synthétique ne diminue pas l'intervalle recommandé de changement d'huile. Une huile entièrement synthétique 5W-30 aidera au démarrage dans des températures ambiantes froides < 41° F (5° C).

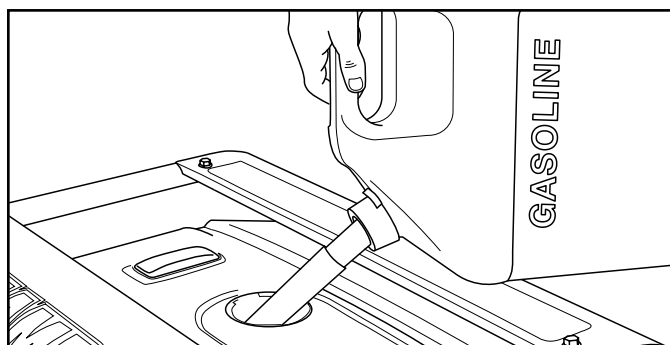
💬 REMARQUE

La météo affectera l'huile moteur et les performances du moteur. Changez le type d'huile moteur utilisé en fonction des conditions météorologiques pour répondre aux besoins du moteur.

Ajout de carburant : essence

1. Utilisez du carburant sans plomb propre, frais et ordinaire avec un indice d'octane minimum de 85 et une teneur en éthanol inférieure à 10 % en volume.
2. NE PAS mélanger l'huile avec le carburant.
3. Nettoyez la zone autour du bouchon de carburant.
4. Retirez le bouchon du réservoir.
5. Ajoutez lentement du carburant dans le réservoir. NE PAS TROP REMPLIR. Le carburant peut se dilater après le remplissage. Un minimum de 6,4 mm (¼ po) d'espace laissé dans le réservoir est requis pour l'expansion du carburant, plus de 6,4 mm (¼ po) est recommandé. Le carburant peut

être expulsé du réservoir en raison de l'expansion s'il est trop rempli et peut affecter l'état de fonctionnement stable du produit. Lors du remplissage du réservoir, il est recommandé de laisser suffisamment d'espace pour que le carburant se dilate.



6. Vissez le bouchon du réservoir et essuyez tout déversement de carburant.

PRÉCAUTION

Utilisez de l'essence sans plomb avec un indice d'octane minimum de 85 et une teneur en éthanol de 10 % ou moins en volume.

N'allumez et ne fumez PAS de cigarettes lors du remplissage du réservoir.

NE mélangez PAS l'huile et l'essence.

NE remplissez PAS le réservoir de manière excessive. Remplissez le réservoir à environ ¼ in. (6,4 mm) en-dessous de la partie supérieure du réservoir pour permettre la dilatation de l'essence.

N'insérez PAS directement la pompe à essence dans le générateur à la station-service. Utilisez un contenant approuvé pour le carburant pour transférer l'essence au générateur.

NE remplissez PAS le réservoir en intérieur.

NE remplissez PAS le réservoir quand le moteur tourne ou est chaud.

AVERTISSEMENT

Le fait de verser l'essence trop rapidement dans le filtre à carburant peut résulter en des éclaboussures d'essence autour du générateur et de l'opérateur lors du remplissage.

REMARQUE

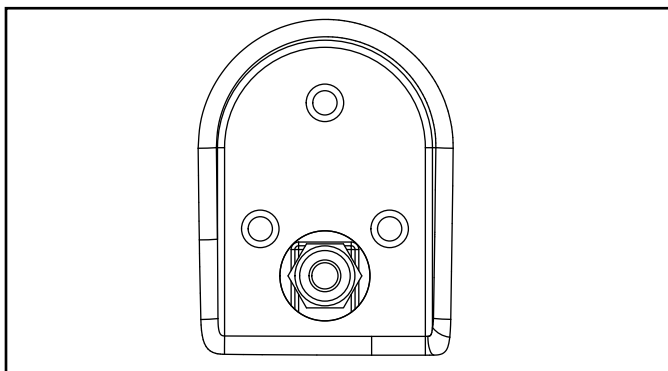
Le moteur du générateur fonctionne bien avec de l'essence mélangée à 10 % ou moins d'éthanol. Lors de l'utilisation de mélanges éthanol-essence, il est important de noter certains problèmes :

- Les mélanges éthanol-essence peuvent absorber plus d'eau que l'essence seule.
- Ces mélanges peuvent éventuellement se séparer, laissant de l'eau ou une substance aqueuse dans le réservoir, la vanne de carburant et le carburateur. L'essence non utilisable peut être introduite dans le carburateur et causer des dommages au moteur et/ou créer des dangers potentiels.
- Si un stabilisateur de carburant est utilisé, confirmez que celui-ci est formulé pour être utilisé avec des mélanges éthanol-essence.
- Tout dégât ou danger causé par une utilisation d'essence inadaptée, d'essence stockée de manière inadaptée et/ou de stabilisateurs formulés de manière inadaptée, ne sont pas couverts par la garantie du fabricant.

Il est conseillé de toujours couper l'alimentation en essence et de faire fonctionner le moteur jusqu'à l'épuisement du carburant après chaque utilisation. Voir les Instructions de stockage en cas d'inutilisation prolongée.

Ajout de carburant : propane (GPL)

1. Assurez-vous que le robinet de carburant du générateur est en position d'arrêt.
2. Fixez le tuyau de GAZ (inclus) au connecteur de tuyau de GAZ sur le côté du générateur et serrez avec une clé à molette. Important : N'UTILISEZ PAS de ruban adhésif ou tout autre type de produit d'étanchéité pour sceller le raccord du tuyau de GPL.
3. Retirez le bouchon ou le capuchon de sécurité du robinet de la bouteille.
4. Fixez l'autre extrémité du tuyau au connecteur GAZ sur la bouteille et serrez à la main.
5. Vérifiez l'étanchéité de toutes les connexions en humidifiant les raccords avec une solution d'eau et de savon. Des bulles qui apparaissent ou des bulles qui grossissent indiquent qu'il y a une fuite. S'il y a une fuite au niveau d'un raccord, fermez le robinet de gaz au niveau du réservoir et serrez le raccord. Rallumez le gaz et revérifiez le raccord avec la solution d'eau et de savon. Si la fuite persiste ou si la fuite ne se situe pas au niveau d'un raccord, n'utilisez pas le générateur et contactez le service client.



REMARQUE

- Le tuyau de GPL inclus avec cet appareil fonctionne avec des réservoirs de GPL standard de 20 et 30 livres.
- Vérifiez que la date de requalification sur la bouteille n'a pas expiré.
- Toutes les nouvelles bouteilles doivent être purgées de l'air et de l'humidité avant le remplissage. Les bouteilles usagées qui n'ont pas été connectées ni gardées fermées doivent également être purgées.
- La procédure de purge doit être effectuée par un fournisseur de GPL (les bouteilles provenant d'un fournisseur d'échange doivent déjà avoir été purgées et remplies correctement).
- Positionnez toujours la bouteille de manière à ce que le raccord entre le robinet de la bouteille et l'entrée du générateur ne cause pas de coudes ou de plis aigus dans le tuyau de GPL.

PRÉCAUTION

Ne laissez pas des enfants altérer ni jouer avec la bouteille de GPL ni avec les raccords du tuyau.

PRÉCAUTION

Utilisez des bouteilles de GPL approuvées équipées d'un robinet OPD (overfilling prevention device, dispositif de trop-plein). Gardez toujours la bouteille en position verticale avec le robinet sur le dessus et installée au niveau du sol, sur une surface plate. Les bouteilles ne doivent pas être installées près d'une source de chaleur et ne doivent pas être exposées au soleil, à la pluie ni à la poussière. Lors du transport et du stockage, fermez le robinet de la bouteille et la vanne GPL du générateur, et déconnectez la bouteille. Bouchez le connecteur, généralement par un capuchon de protection en plastique, s'il y en a un. Gardez les bouteilles à l'écart de la chaleur et ventilées en cas de présence dans un véhicule.

AVERTISSEMENT

En cas de forte odeur de GPL : fermez le robinet sur la bouteille. Vérifiez l'étanchéité de tous les raccords en les mouillant avec une solution d'eau et de savon. Des bulles qui apparaissent ou des bulles qui gonflent indiquent la présence d'une fuite. Ne fumez pas et n'allumez pas de cigarette, ou vérifiez la présence d'une fuite à l'aide d'une allumette, d'une source de flamme nue ou d'un briquet. Contactez un technicien qualifié pour inspecter et réparer un système de GPL en cas de détection d'une fuite, avant d'utiliser le générateur.

Mise à la terre

Votre générateur doit être correctement raccordé à une mise à la terre appropriée pour prévenir les chocs électriques.

AVERTISSEMENT

Une mauvaise mise à la terre du générateur peut résulter en un choc électrique.

Il a été fourni une borne de masse reliée au générateur (voir Commandes et fonctionnalités pour l'emplacement de la borne). Pour une mise à la terre à distance, connectez une longueur de fil de cuivre de gros calibre (12 AWG minimum) entre la borne de masse du générateur et une tige de cuivre enfoncée dans le sol. Nous vous recommandons fortement de consulter un électricien qualifié pour assurer un respect des codes d'électricité locaux.

Emplacement du générateur

Ne faites JAMAIS fonctionner le générateur en intérieur dans un bâtiment, un garage, une cave, un vide sanitaire, un hangar, des enceintes ou compartiments, des véhicules, y compris le compartiment du générateur d'un véhicule de loisir ou de n'importe quel véhicule.

N'utilisez ni ne démarrez JAMAIS le générateur à l'arrière d'un SUV, dans un camping-car, dans une remorque, dans le lit d'un camion (côtés classiques, plat ou autre configuration), sous des escaliers/cages d'escalier, près de murs ou de bâtiments, ou tout autre emplacement qui ne permettrait pas un refroidissement adéquat du générateur ni l'échappement correct du flux d'échappement du système de silencieux.

NE faites PAS fonctionner et ne stockez pas le générateur dans un environnement humide, comme sous la pluie ou la neige. Le fait d'utiliser un générateur dans un environnement humide peut résulter en de graves blessures ou le décès en raison d'une électrocution.

Dans certains États, les générateurs doivent être enregistrés auprès de la compagnie d'électricité locale lorsqu'ils sont utilisés sur des chantiers. Ils peuvent être soumis à des règles et réglementations supplémentaires, consultez votre autorité municipale locale.

Il faut toujours placer les générateurs sur une surface plate et de niveau, à tout moment (même lorsqu'ils ne sont pas utilisés).

Les générateurs doivent également disposer d'au moins 5 pieds (1,5 m) d'espace par rapport à tous les matériaux combustibles.

Les générateurs doivent également disposer d'au moins 3 pieds (91,4 cm) d'espace de tous les côtés pour assurer un refroidissement adéquat, la maintenance et l'entretien.

Placez toujours le générateur dans une zone bien ventilée. Ne placez JAMAIS le générateur près d'aérations ni d'admissions où des vapeurs d'échappement pourraient être aspirées dans des espaces occupés ou confinés.

Pensez toujours soigneusement au vent et aux courants d'air avant de positionner le générateur.

Laissez toujours les générateurs refroidir correctement avant le transport ou le stockage.

Le non-respect des précautions de sécurité peut résulter en des blessures physiques, des dégâts au générateur et annuler la garantie du fabricant.

WARNING

Lors du fonctionnement, le silencieux et les vapeurs d'échappement deviennent chauds. Si un espace adéquat de refroidissement et de respiration n'est pas fourni, ou si le générateur est bloqué ou clos, les températures peuvent devenir extrêmement élevées et peuvent mener à un incendie.

Mise à la terre

La masse du système de générateur relie le châssis aux bornes de masse du panneau d'alimentation. La masse du système est connectée au fil neutre CA.

Protection contre les surtensions

Les appareils électroniques, y compris les ordinateurs et de nombreux appareils programmables, utilisent des composants conçus pour fonctionner à une plage de tension étroite et peuvent être affectés par des fluctuations temporaires de tension. Bien qu'il n'existe pas de moyen d'éviter les fluctuations de tension, vous pouvez prendre des mesures pour protéger les équipements électroniques sensibles.

- Installez des supprimeurs de surtension enfichables homologués UL1449 et CSA sur les prises qui alimentent vos équipements sensibles.

Les supprimeurs de surtension sont disponibles dans des modèles à une prise et à multiprises. Ils sont conçus pour protéger contre presque toutes les fluctuations de tension de courte durée.

FUNCTIONNEMENT

AVERTISSEMENT

Lors du fonctionnement, le silencieux et les vapeurs d'échappement deviennent chauds. Si un espace adéquat de refroidissement et de respiration n'est pas fourni, ou si le générateur est bloqué ou clos, les températures peuvent devenir extrêmement élevées et peuvent mener à un incendie.

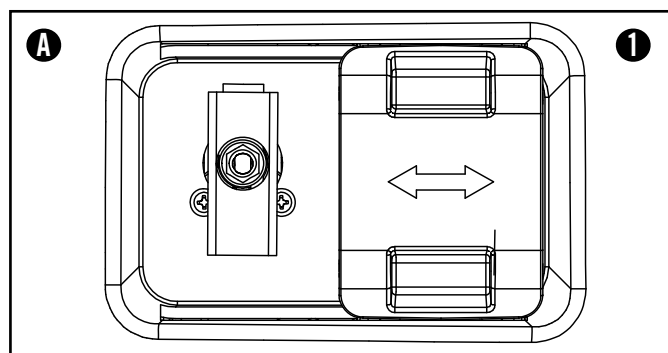
Sélecteur de carburant

Le sélecteur de carburant sur le panneau avant du générateur est conçu spécifiquement pour choisir entre la source de carburant souhaitée, essence ou GPL.

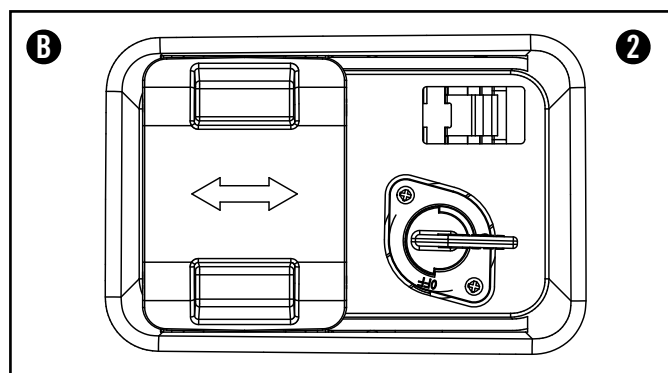
Pour sélectionner une source de carburant, faites simplement glisser le couvercle de l'interrupteur vers la droite ou vers la gauche, et cela découvrira le robinet de carburant du carburant sélectionné.

Le robinet de carburant GAZ (A) se trouve à gauche du couvercle de l'interrupteur.

Le robinet d'essence (B) se trouve à droite du couvercle de l'interrupteur.



Une fois qu'une source de carburant a été sélectionnée, l'utilisateur doit tourner le robinet de carburant en position verticale pour ouvrir le robinet de carburant. (1)



Pour tourner un robinet de carburant en position d'arrêt, le robinet doit être en position horizontale. (2)

REMARQUE

Le couvercle du sélecteur de carburant est spécialement conçu pour ne pas glisser d'un côté ou de l'autre lorsqu'un carburant spécifique a été sélectionné et que la vanne est en position «ON». Ce n'est que lorsque les vannes de carburant sont en position «OFF» que le couvercle peut coulisser d'un côté à l'autre.

REMARQUE

Le sélecteur de carburant est verrouillé en place une fois qu'un son «CLICK» est émis. Ce n'est qu'alors qu'un robinet de carburant peut être tourné en position verticale.

Démarrage du moteur à une température ambiante > 15 °C (59 °F)

Essence:

1. Assurez-vous que le générateur est sur une surface plane et de niveau..
2. Débranchez toutes les charges électriques du générateur. Ne jamais démarrer ou arrêter le générateur avec des appareils électriques branchés ou allumés.
3. Tournez le robinet d'essence à la position "ON".
4. Déplacez le levier de starter à la position de détente « 100% CHOKE ». Pour redémarrer un moteur chaud, déplacez le levier de starter à la position de détente « 75% CHOKE ».
5. Poussez le commutateur de la batterie à la position "ON".
6. Poussez le contacteur d'allumage à la position "ON"..
7. DÉMARRAGE ÉLECTRIQUE : Maintenez le contacteur d'allumage enfoncé en position « DÉMARRAGE ». Relâchez lorsque le moteur commence à démarrer. Si le moteur ne démarre pas dans les cinq secondes, relâchez l'interrupteur et attendez au moins dix secondes avant d'essayer de redémarrer le moteur.
8. DÉMARRAGE À REcul : Tirez lentement sur la corde du lanceur jusqu'à ce que vous sentiez une résistance, puis tirez rapidement.
9. N'étouffez pas le moteur. Dès que le moteur démarre, déplacez progressivement le levier de starter en position « RUN » sur une durée de 2 à 5 secondes.

REMARQUE

Gardez le sélecteur dans la position « STARTER » pendant seulement 1 tir sur le cordon de recul. Si le générateur ne démarre pas après le premier tir, tournez le sélecteur pour le mettre en position « FONCTIONNEMENT » de l'essence pour les 3 prochains tirs. Trop de starter conduit à l'encrassement des bougies et à l'inondation du moteur. Ceci fera que le moteur ne démarrera pas.

REMARQUE

Pour le démarrage d'essence dans une température ambiante froide < 59°F (15°C) : Le sélecteur doit être sur la position « STARTER ». N'abusez pas du starter. Dès que le moteur démarre, poussez le sélecteur dans la position « FONCTIONNEMENT » de l'essence.

REMARQUE

Si le moteur démarre mais que le fonctionnement s'interrompt, vérifiez que le générateur est sur une surface plane et de niveau. Le moteur est équipé d'un capteur de faible niveau d'huile qui évitera que le moteur ne fonctionne quand le niveau d'huile se situe sous le seuil critique.

Démarrer le moteur : propane (GPL)

1. Assurez-vous que le générateur est sur une surface plane et de niveau.
2. Débranchez toutes les charges électriques du générateur. Ne jamais démarrer ou arrêter le générateur avec des appareils électriques branchés ou allumés.
3. Ouvrez complètement le bouton de carburant de la bouteille de GAZ PROPANE.
4. Tournez le robinet de carburant GAZ à la position "ON".
5. Poussez le commutateur de la batterie à la position "ON".
6. Poussez le contacteur d'allumage à la position "ON".
7. DÉMARRAGE ÉLECTRIQUE : Déplacez le levier de starter sur la position de détente "75 % Choke". Pour redémarrer un moteur chaud, déplacez le levier de starter sur la position de détente "75 % CHOKE".
8. Appuyez et maintenez le contacteur d'allumage à la position "START". Relâchez lorsque le moteur commence à démarrer. Si le moteur ne démarre pas dans les cinq secondes, relâchez l'interrupteur et attendez au moins dix secondes avant d'essayer de redémarrer le moteur.seconds before attempting to start the engine again.
9. Ne pas étouffer le moteur. Dès que le moteur démarre, déplacez progressivement le levier de starter en position « RUN » sur une durée de 2 à 5 secondes.
10. Démarrage au lanceur manuel: Déplacez le levier de starter à la position de détente "100% Starter". Pour redémarrer un moteur chaud, placez le levier de starter sur la position de détente « 100% CHOKE ».
11. TIRER POUR AMORCER : Tirez lentement sur le cordon du démarreur jusqu'à ce que vous sentiez une résistance, puis tirez rapidement. Tirez avec "100% Starter" 1-2 fois jusqu'à ce que vous ressentiez quelques impulsions de combustion qui indiquent que le moteur a momentanément démarré.
12. Déplacez le levier de starter à la position "RUN".

13. Tirez lentement sur le cordon de démarrage jusqu'à ce que vous sentiez une résistance, puis tirez rapidement.
14. Si le moteur ne démarre pas en 1 fois avec le starter sur "RUN", alors déplacez le starter sur "100% Starter" et Tirez lentement sur le cordon du démarreur jusqu'à ce que vous sentiez une résistance, puis tirez rapidement. Tirez avec "100% Starter" 1-2 fois jusqu'à ce que vous ressentiez quelques impulsions de combustion qui indiquent que le moteur a momentanément démarré.

REMARQUE

Pour le démarrage au GAZ dans une température ambiante froide < 15 °C (59 °F) Déplacez le levier de starter sur la position « 75 % Starter » pour le démarrage électrique et « 100 % Starter » pour le démarrage à rappel. Pour un démarrage électrique, déplacez graduellement le levier de starter vers la position « RUN » sur une durée de 2 à 10 secondes. Pour amorcer pour un démarrage à corde à rappel Tirez avec "100% Starter" 1 à 3 fois jusqu'à ce que vous ressentiez quelques impulsions de combustion qui indiquent que le moteur a momentanément démarré.

PRÉCAUTION

Si le contacteur d'allumage est maintenu en position "Démarrage" plus de 5 secondes, cela pourrait endommager le démarreur.

REMARQUE

Si le moteur démarre mais que le fonctionnement s'interrompt, vérifiez que le générateur est sur une surface plate et de niveau. Le moteur est équipé d'un capteur de faible niveau d'huile qui évitera que le moteur ne fonctionne quand le niveau d'huile se situe sous le seuil critique.

REMARQUE

Lorsque l'interrupteur de la batterie est en position "ON", l'interrupteur s'allume si la batterie envoie une charge. Si l'interrupteur ne s'allume pas lorsqu'il est en position "ON", vérifiez que la connexion de la batterie est toujours bonne.

REMARQUE

La batterie 12V 15AH fournie se recharge pendant que le moteur tourne, mais il est également recommandé que la batterie soit complètement chargée au moins une fois par mois.

REMARQUE

L'accumulation de givre sur la bouteille de GPL et les détendeurs est courante pendant le fonctionnement et n'est normalement pas le signe d'un problème. À mesure que le GPL se vaporise et se déplace de la bouteille vers le moteur du générateur, il se dilate. La quantité de givre qui se forme peut être affectée par la taille de la bouteille, la quantité de GPL utilisée, l'humidité de l'air et d'autres conditions de fonctionnement.

Dans des situations inhabituelles, ce givre peut restreindre le flux de GPL vers le générateur, résultant en une détérioration de la performance. Par exemple, si la température de la bouteille est réduite à un niveau très faible, alors le taux auquel le GPL se vaporise s'en trouve également réduit. Il est possible que le moteur ne reçoive pas un flux suffisant. Ceci n'indique pas un problème avec le générateur, mais uniquement un problème avec le flux de GPL de la bouteille. Si les performances du générateur semblent se détériorer en même temps qu'une formation de glace est observée sur la vanne du réservoir, le tuyau ou le détendeur, certaines mesures peuvent être prises pour éliminer ce symptôme.

Dans de rares situations, il peut être utile de réduire ou d'éliminer les effets du circuit de carburant froid en effectuant l'une des opérations suivantes :

- Échangez les bouteilles de carburant pour permettre à la première bouteille de se réchauffer, en répétant l'opération si nécessaire.
- Placez la bouteille à l'extrémité du générateur, près de la poignée, là où l'air du ventilateur du moteur sort du générateur. Cet air est légèrement chauffé en passant au-dessus du moteur. La bouteille ne doit pas être placée sur le chemin de la sortie du silencieux.
- La bouteille peut être temporairement chauffée en versant de l'eau chaude sur la partie supérieure de la bouteille.

Arrêt du moteur :

1. Éteignez et débranchez toutes les charges électriques. Ne jamais démarrer ou arrêter le générateur avec des appareils électriques branchés ou allumés.
2. Laissez le générateur fonctionner à vide pendant plusieurs minutes pour stabiliser les températures internes du moteur et du générateur.
3. Tournez le robinet d'essence à la position "OFF" si vous utilisez de l'essence.
4. Tourner le bouton de la bouteille de GPL sur la position « FERMÉ » ou sur arrêt en cas de fonctionnement au GAZ.
5. Laissez tourner le moteur jusqu'à ce que la panne de carburant arrête le moteur. Cela prend généralement quelques minutes
6. Mettez le contacteur d'allumage en position "OFF".

7. Tournez l'interrupteur de la batterie sur la position "Off". Important : Assurez-vous toujours que le robinet de carburant et le commutateur d'allumage sont en position "OFF" lorsque le moteur n'est pas utilisé.

REMARQUE

Lorsque vous éteignez le générateur après le fonctionnement au GAZ, assurez-vous que le bouton de la bouteille de GAZ est en position complètement fermée.

Connecter des charges électriques

Laissez le moteur se stabiliser et chauffer pendant quelques minutes après le démarrage.

Branchez et allumez les charges électriques souhaitées de 220 V CA monophasé, 50 Hz.

- NE connectez PAS des charges triphasées au générateur.
- NE surchargez PAS le générateur.

AVERTISSEMENT

Souvenez-vous de toujours brancher directement vos appareils dans le générateur et de ne pas brancher le cordon d'alimentation du générateur dans une prise électrique ni de se connecter au panneau de disjoncteur de votre domicile. Le fait de connecter un générateur aux lignes de courant de la compagnie d'électricité de votre domicile, ou à une autre source d'alimentation, appelé alimentation à contre-courant, est une pratique dangereuse qui est illégale dans de nombreux États et municipalités.

Cette action, si elle n'est pas effectuée correctement, peut endommager votre générateur ou vos appareils. Elle peut causer des blessures graves, voire le décès, à vous ou à un employé de la compagnie d'électricité qui tente de rétablir le courant lors d'une panne dans le voisinage et qui peut alors rencontrer inopinément une haute tension sur la ligne électrique et subir un choc mortel.

Que des blessures surviennent ou non, si l'installation est incorrecte et non conforme aux lois et codes en vigueur. Si cette pratique est découverte dans votre domicile, vous pouvez être soumis à des amendes ou la compagnie d'électricité peut couper l'alimentation de votre domicile.

Si le générateur sera connecté à un système électrique de bâtiment, ces connexions doivent isoler la puissance du générateur de la puissance du réseau électrique. Il relève de votre responsabilité de veiller à ce que l'électricité de votre générateur ne soient pas renvoyées dans les lignes de courant de la compagnie d'électricité. Ces connexions doivent être conformes à toutes les lois et tous les codes applicables. Consultez votre compagnie d'électricité locale ou un électricien qualifié pour installer correctement cette connexion.

Ne surchargez pas le générateur

Capacité

Suivez ces étapes simples pour calculer les watts de fonctionnement et de démarrage nécessaires à vos objectifs :

1. Sélectionnez les appareils électriques que vous planifiez d'utiliser en même temps.
2. Faites le total des watts de fonctionnement de ces appareils. Voici la quantité de puissance dont vous avez besoin pour que vos appareils fonctionnent.
3. Identifiez les watts de démarrage les plus élevés de tous les appareils identifiés à l'étape 1. Ajoutez ce nombre au nombre calculé à l'étape 2. Les watts de démarrage sont la pointe de puissance nécessaire au démarrage de certains équipements électriques. Suivez les étapes répertoriées sous « Gestion de la puissance » pour garantir que seul un appareil sera démarré à la fois.

Gestion de la puissance

Utilisez la formule suivante pour convertir la tension et les ampères en watts :

$$\text{Volts} \times \text{Ampères} = \text{Watts}$$

Afin de prolonger la durée de vie de votre générateur et des appareils branchés, suivez ces étapes pour ajouter une charge électrique :

1. Démarrez le générateur sans charge électrique branchée.
2. Laissez le moteur fonctionner pendant quelques minutes pour qu'il arrive à température.
3. Branchez et allumez le premier appareil. Il est préférable de brancher en premier l'appareil ayant la plus importante charge.
4. Laissez le moteur se stabiliser.
5. Branchez et allumez l'appareil suivant.
6. Laissez le moteur se stabiliser.
7. Répétez les étapes 5-6 pour chaque appareil supplémentaire.

REMARQUE

N'excédez jamais la capacité spécifiée lors de l'ajout de charges au générateur.

REMARQUE

Un message important concernant la température : votre produit est conçu et évalué pour un fonctionnement continu à des températures ambiantes allant jusqu'à 104°F (40°C). Si besoin, il peut être utilisé à des températures allant de 5°F (-15°C) à 122°F (50°C) pour de courtes périodes de temps. En cas d'exposition à des températures en dehors de cette plage pendant le stockage, l'appareil doit être ramené dans cette plage avant le fonctionnement. Le produit doit toujours être utilisé en extérieur, dans une zone bien ventilée et loin des portes, des fenêtres et des aérations.

ENTRETIEN / STOCKAGE

Assurez-vous que le générateur reste propre et soit correctement stocké. Ne faites fonctionner l'appareil que sur une surface plate et de niveau dans un environnement opérationnel propre et sec. N'exposez PAS l'appareil à des conditions extrêmes, à une poussière excessive, à de la saleté, à de la moisissure ou à des vapeurs corrosives.

AVERTISSEMENT

Ne faites jamais fonctionner un générateur endommagé ou défectueux.

AVERTISSEMENT

Un mauvais entretien annulera votre garantie.

AVERTISSEMENT

La modification du régulateur réglé en usine annulera votre garantie.

REMARQUE

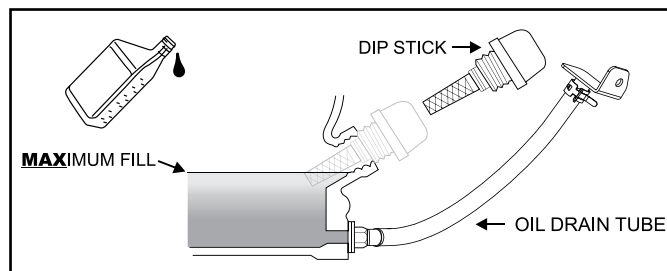
L'entretien, le remplacement ou la réparation des dispositifs et systèmes de contrôle des émissions peut être effectué par tout établissement ou personnes habilités à la réparation de moteurs non routiers. Effectuez tous les entretiens en temps opportun.

Corrigez tout problème avant de faire fonctionner le générateur.

Changer l'huile moteur

Changez l'huile quand le moteur est chaud. Référez-vous aux spécifications de l'huile pour sélectionner le type approprié à votre environnement opérationnel.

1. Placez le générateur sur le dessus d'un plan ou d'une table de travail.
2. Desserrez les vis du couvercle et retirez le couvercle d'entretien.
3. Retirez le bouchon de remplissage d'huile/la jauge.
4. Inclinez le générateur sur le côté et laissez l'huile se vider complètement.
5. Ajoutez de l'huile conformément à *Ajout d'huile moteur* à la section *Montage*.
NE REMPLISSEZ PAS DE MANIÈRE EXCESSIVE. L'huile d'entretien de routine n'est pas incluse.
6. Remettez le bouchon de remplissage d'huile/la jauge et serrez le couvercle d'entretien.
7. Éliminez l'huile usagée dans une installation de gestion des déchets agréée.

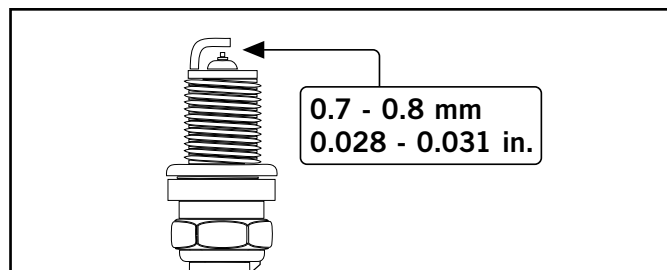


REMARQUE

Une fois l'huile ajoutée, une inspection visuelle devrait montrer l'huile à 1-2 marques de débordement du trou de remplissage. Lors de l'utilisation de la jauge pour vérifier le niveau d'huile, NE vissez PAS la jauge lors de la vérification.

Nettoyage et ajustement de la bougie d'allumage

1. Retirez le câble de la bougie d'allumage de la bougie d'allumage.
2. Utilisez une douille de bougie (non incluse) pour retirer la bougie.
3. Inspectez l'électrode sur la prise. Il doit être propre et non usé pour produire l'étincelle nécessaire à l'allumage.
4. Assurez-vous que l'écartement de la bougie est de 0,7 à 0,8 mm ou (0,028 à 0,031 po).



5. Reportez-vous au tableau des bougies recommandées lors du remplacement de la bougie.
6. Vissez soigneusement le bouchon dans le moteur.
7. Utilisez une douille de bougie (non incluse) pour installer fermement la bougie.
8. Attachez le fil de la bougie à la bougie.

Bougie d'origine : F6RTC

Bougie de rechange : NGK BPR6ES ou équivalent

Assurez-vous que *l'écartement de la bougie est de 0,7 à 0,8 mm ou (0,028 à 0,031 po).

Jeu des soupapes d'entretien

- Admission : 0,13 - 0,17 mm (0,005 - 0,007 pouces)
- Échappement : 0,18 - 0,22 mm (0,007 - 0,009 po)

Remarque : Le bulletin technique concernant la procédure de réglage des soupapes se trouve sur www.championpowerequipment.com.

Nettoyage du filtre à air

1. Retirez le couvercle encliquetable maintenant le filtre à air
2. Retirez l'élément en mousse.
3. Laver avec un détergent liquide et de l'eau. Bien essorer dans un chiffon propre.
4. Saturer d'huile moteur propre.
5. Pressez dans un chiffon propre et absorbant pour enlever tout excès d'huile.
6. Placez le filtre dans l'ensemble..
7. Remettez le couvercle du filtre à air et enclenchez-le en place.

Nettoyage du pare-étincelles

1. Laissez le moteur refroidir complètement avant d'effectuer l'entretien du pare-étincelles.
2. Retirez les 6 vis qui maintiennent la plaque de couvercle sur le côté du silencieux du générateur.
3. Retirez la vis qui retient le pare-étincelles au silencieux.
4. Retirez l'écran du pare-étincelles.
5. Retirez soigneusement les dépôts de carbone de l'écran du pare-étincelles à l'aide d'une brosse métallique.
6. Remplacez le pare-étincelles si celui-ci est endommagé.
7. Positionnez le pare-étincelles sur le silencieux et fixez-le en inversant les étapes ci-dessus.

PRÉCAUTION

Ne pas nettoyer le pare-étincelles résultera en une mauvaise performance du moteur.

Nettoyage:

PRÉCAUTION

NE PAS vaporiser d'eau sur le moteur. L'eau peut contaminer le système de carburant..

Utilisez un chiffon humide pour nettoyer les surfaces extérieures du moteur.

Utilisez une brosse à poils doux pour enlever la saleté et l'huile.

Utilisez un compresseur d'air (25 PSI) pour nettoyer la saleté et les débris du moteur.

Réglages :

AVERTISSEMENT

Le mélange air-carburant n'est pas réglable. L'altération du régulateur peut endommager votre génératrice et vos appareils électriques et annulera votre garantie.

Calendrier d'entretien

Suivez les intervalles d'entretien indiqués dans le calendrier d'entretien suivant.

Effectuez plus fréquemment un entretien sur votre générateur en cas de fonctionnement dans des conditions difficiles.

CHAQUE 8 HEURES OU AVANT CHAQUE UTILISATION

- Vérifiez le niveau d'huile
- Nettoyez autour de l'admission d'air et du silencieux
- Vérifiez le tuyau de propane (GPL) à la recherche de fuites

LES 5 PREMIÈRES HEURES (RODAGE)

- Changer l'huile

CHAQUE 50 HEURES OU ANNUELLEMENT

- Nettoyez le filtre à air
- Changez l'huile en cas de fonctionnement sous une charge lourde ou dans des environnements chauds

CHAQUE 100 HEURES OU ANNUELLEMENT

- Changer l'huile
- Nettoyez/ajustez la bougie d'allumage
- Nettoyez le pare-étincelles
- Nettoyez le filtre de la vanne de carburant*

CHAQUE 250 HEURES

- Nettoyez la chambre de combustion*
- Vérifiez/ajustez le jeu de soupape*

CHAQUE 3 ANS

- Remplacez la conduite de carburant*
- Remplacez le tuyau de GPL

*Doit être effectué par des propriétaires compétents et expérimentés ou dans des centres d'entretien agréés par CPE.

STOCKAGE

Le générateur doit être démarré au moins une fois tous les 14 jours et doit fonctionner pendant au moins 20 minutes. Pour un

stockage à plus long terme, veuillez suivre ces directives.

Stockage du générateur

1. Ajouter un stabilisateur de carburant correctement formulé dans le réservoir.
2. Assurez-vous que tous les appareils sont débranchés du générateur.
3. Faites fonctionner le générateur pendant quelques minutes afin que le carburant traité circule dans le système de carburant et le carburateur.
4. Tourner le robinet de carburant à la position "Off".
5. Laissez le générateur fonctionner jusqu'à ce que la panne de carburant ait arrêté le moteur. Cela prend généralement quelques minutes.
6. Le générateur doit refroidir complètement avant de le nettoyer et de le ranger.
7. Nettoyez le générateur conformément à la section d'entretien.
8. Changer l'huile.
9. Retirez la bougie et versez environ 14,8 ml (1/2 once) d'huile dans le cylindre. Lancer le moteur lentement pour répartir l'huile et lubrifier le cylindre.
10. Remettez la bougie d'allumage..
11. Rangez l'appareil dans un endroit propre et sec, à l'abri de la lumière directe du soleil.

Stockage à court terme (jusqu'à 30 jours)

L'essence dans le réservoir d'essence a une durée de conservation maximum de 1 an avec l'ajout de stabilisants de carburant correctement formulés et si stockée dans un endroit frais et sec. L'essence dans le carburateur, cependant, peut encrasser le carburateur si elle n'est pas utilisée ni vidée dans les 2-4 semaines. Nous vous recommandons de toujours retirer le carburant lorsque le générateur n'est pas utilisé pendant 30 jours.

Si vous utilisez le générateur dans les 2 semaines, suivez les étapes selon la section *Arrêter le moteur*.

1. Si vous n'utilisez pas le générateur pendant 2-4 semaines, commencez par vous assurer que tous les appareils sont déconnectés du générateur.
2. Démarrez le générateur comme indiqué à la section *Démarrer le moteur*.
3. Laissez le moteur tourner jusqu'à ce qu'il s'arrête en raison d'un épuisement du carburant.
4. Un fois le moteur éteint, tournez le sélecteur dans le sens antihoraire sur la position « ARRÊT ».

Stockage à moyen terme (30 jours - 1 an)

L'essence dans le réservoir a une durée de conservation maximum de 1 an avec l'ajout d'un stabilisant de carburant correctement formulé et stockée dans un endroit frais et sec.

1. Assurez-vous que tous les appareils sont déconnectés du générateur.
2. Ajoutez un stabilisant de carburant correctement formulé au réservoir d'essence.

3. Démarrez le moteur en suivant les instructions de la section *Démarrer le moteur*.
4. Faites fonctionner le générateur pendant 10 minutes afin que l'essence traitée effectue des cycles dans le système de carburant et le carburateur.
5. Laissez le moteur tourner jusqu'à ce qu'il s'arrête en raison d'un épuisement du carburant.
6. Un fois le moteur éteint, tournez le sélecteur dans le sens antihoraire sur la position « ARRÊT ».
7. Une fois que le carburant est épuisé et que le moteur s'est arrêté, laissez le moteur refroidir.
8. Retirez le couvercle d'entretien.
9. Retirez la bougie d'allumage et versez environ une cuillère à soupe d'huile dans le cylindre.
10. Tirez LENTEMENT le cordon pour faire tourner le moteur afin de distribuer et de lubrifier le cylindre.
11. Réinstallez la bougie d'allumage et le fil de la bougie d'allumage.
12. Réinstallez le couvercle d'entretien.
13. Nettoyez le générateur selon *Nettoyage du générateur*.
14. Stockez le générateur dans un endroit frais et sec à l'abri de la lumière directe du soleil.

Stockage à long terme (plus de 1 an)

Pour un stockage supérieur à 1 an, le réservoir d'essence et le carburateur doivent être complètement vidés de l'essence.

1. Assurez-vous que tous les appareils sont déconnectés du générateur.
2. Placez l'onduleur sur des blocs pour permettre au contenant d'essence ou au bac approprié de glisser sous l'onduleur.
3. Retirez le couvercle d'entretien.
4. Tournez le sélecteur sur la position « FONCTIONNEMENT » de l'essence.
5. À l'aide d'un tournevis Phillips, faites pivoter la vis de vidange dans le sens antihoraire (3) jusqu'à un tour complet. L'essence se vidangera par le tube transparent sous l'onduleur. Veillez à ce que l'essence vidangée se vide dans un contenant approprié.

DANGER

Les gaz d'échappement du générateur contiennent du gaz de monoxyde de carbone, qui est inodore et incolore. Le fait de respirer du monoxyde de carbone cause des nausées, des étourdissements, des évanouissements ou le décès. Si vous connaissez à ressentir des étourdissements ou à vous sentir faible, sortez immédiatement respirer de l'air frais.

Pour éviter un allumage accidentel ou non intentionnel de votre générateur pendant les périodes de stockage, les précautions suivantes doivent être prises :

- Lors du stockage du générateur, veillez à ce que le sélecteur de carburant soit placé sur la position « ARRÊT ».

Batterie du générateur

Ce produit est équipé d'un circuit de charge automatique de la batterie. La batterie recevra une tension de charge lorsque le moteur tourne. La batterie maintiendra une charge appropriée si l'appareil est utilisé régulièrement (environ une fois toutes les deux semaines). Si elle est utilisée moins fréquemment, la batterie doit être connectée à un chargeur d'entretien (non inclus) ou à un mainteneur de batterie (non inclus) pour maintenir la batterie correctement chargée. Si la batterie n'est pas en mesure de démarrer le moteur, il peut être démarré en tirant manuellement sur le cordon de rappel du moteur. Si la tension de la batterie est extrêmement basse, le circuit de charge peut ne pas être en mesure de recharger la batterie. Dans ce cas, la batterie doit être connectée à un chargeur de batterie de style automobile standard pour être rechargée avant de pouvoir être utilisée.

Débranchez la batterie

1. Retirez le couvercle de protection du câble noir/négatif de la batterie.
2. Débranchez le fil noir/négatif de la borne noire/négative de la batterie et rangez la vis à capuchon (M5x10) et l'écrou (M5).
3. Répétez les étapes 1 et 2 pour le fil rouge/positif de la batterie.
4. Stockez la batterie dans un endroit frais et sec..

Charger la batterie

Pour un générateur équipé de batteries pour le démarrage électrique, un entretien et un stockage appropriés des batteries doivent être suivis. Un chargeur de batterie automatique (non inclus) avec capacité de charge d'entretien automatique doit être utilisé pour charger la batterie. Le taux de charge maximal ne doit pas dépasser 1,5 ampères. Suivez les instructions fournies avec le chargeur de batterie. La batterie doit être complètement chargée au moins une fois par mois. Remarque : Un chargeur

flottant maintiendra l'état de la batterie pendant de longues périodes de stockage.

NOTICE

Un chargeur flottant maintiendra l'état de la batterie pendant de longues périodes de stockage.

AVERTISSEMENT

Lors du transport :

Ne remplissez pas le réservoir de manière excessive. Ne faites pas fonctionner l'appareil alors qu'il se trouve dans un véhicule. Sortez l'appareil du véhicule et utilisez-le dans un endroit bien ventilé. Évitez un emplacement exposé à la lumière directe du soleil lorsque vous mettez l'appareil dans un véhicule. Si l'appareil est laissé dans un véhicule fermé pendant plusieurs heures, la température élevée à l'intérieur du véhicule peut causer une vaporisation du carburant, ce qui peut résulter en une possible explosion. Ne conduisez pas sur une route cahoteuse pendant une longue période quand l'appareil est à bord. Si vous devez transporter l'appareil sur une route cahoteuse, vidangez d'abord le carburant de l'appareil.

DÉPANNAGE

Problème	Cause	Solution
Le moteur ne démarre pas.	Pas de carburant.	Ajoutez du carburant.
	Bougie d'allumage défectueuse.	Nettoyez et ajustez la bougie d'allumage ou remplacez-la.
	Niveau d'huile faible.	Remplissez le carter jusqu'au niveau approprié.
		Placez le générateur sur une surface plate et de niveau.
	Fil de la bougie d'allumage desserré.	Fixez le fil à la bougie d'allumage.
	La vanne de carburant est fermée.	Ouvrez la vanne de carburant.
	Ancien carburant ou eau dans le carburant.	Videz le carburant et remplacez-le par du carburant frais.
Inondé par du carburant.	Laissez l'appareil reposer pendant 10 mn.	
Le moteur démarre mais tourne difficilement.	Starter dans la mauvaise position.	Déplacez le starter jusqu'à ce qu'il s'arrête dans la position FONCTIONNEMENT ou poussez-le complètement.
	Filtre à air sale.	Nettoyez ou remplacez le filtre à air.
	Vanne de carburant sale.	Nettoyez la vanne de carburant.
	Pare-étincelles obstrué.	Nettoyez le pare-étincelles.
Le moteur se coupe pendant le fonctionnement.	Plus de carburant.	Remplissez le réservoir de carburant.
	Niveau d'huile faible.	Remplissez le carter jusqu'au niveau approprié. Placez le générateur sur une surface plate et de niveau.
	Pare-étincelles obstrué.	Nettoyez le pare-étincelles.
Le générateur ne fournit pas assez de puissance ou surchauffe.	Le générateur est en surcharge.	Vérifiez la charge et ajustez-la. Voir « Connecter des charges électriques ».
	Filtre à air sale.	Nettoyez ou remplacez le filtre à air.
	Starter dans la mauvaise position.	Déplacez le starter jusqu'à ce qu'il s'arrête dans la position FONCTIONNEMENT ou poussez-le complètement.
Le moteur fonctionne mais pas de sortie CA.	Mauvaise connexion du cordon.	Vérifiez toutes les connexions.
	Le disjoncteur est ouvert.	Réinitialisez le disjoncteur.
	Câblage desserré.	Inspectez et resserrez les connexions de câblage.
	Surcharge CA : bouton allumé en rouge	Réduisez la charge CA et appuyez sur le Bouton de réinitialisation de surcharge jusqu'à ce qu'il s'allume en vert.
	Autre.	Contactez la ligne d'assistance.
Le moteur peine ou faiblit.	Régulateur du moteur défectueux.	Contactez la ligne d'assistance.
	Vanne de carburant sale.	Nettoyez la vanne de carburant.
	Le carburateur est sale et fonctionne en mélange pauvre.	Contactez la ligne d'assistance.
	Starter dans la mauvaise position.	Déplacez le starter jusqu'à ce qu'il s'arrête dans la position FONCTIONNEMENT ou poussez-le complètement.
MODÈLES À DOUBLE CARBURANT UNIQUEMENT : Le moteur ne s'arrête pas.	La vanne de propane est encore ouverte.	Tournez la vanne de propane sur la position FERMÉ sur le réservoir.
Déclenchement répété du disjoncteur.	Surcharge.	Vérifiez la charge et ajustez-la. Voir « Connecter des charges électriques ».
	Cordons d'alimentation ou appareil défectueux.	Vérifiez que les fils ne sont pas endommagés, dénudés ou effilochés. Remplacez l'appareil défectueux.
	Le disjoncteur est encore trop chaud.	Laissez l'appareil reposer pendant 5 mn.

Pour d'autres problèmes et l'assistance technique.

GARANTIE*

CHAMPION POWER EQUIPMENT
GARANTIE LIMITÉE DE 3 ANS

Qualifications de la garantie

Pour enregistrer votre produit pour la garantie et une assistance technique du centre d'appels à vie GRATUITE, veuillez consulter :

<https://www.championpowerequipment.co.uk>

Pour compléter l'enregistrement, vous devrez inclure une copie du reçu d'achat comme preuve de l'achat original. La preuve d'achat est requise pour le service de garantie. Veuillez vous enregistrer dans les dix (10) jours suivants la date d'achat.

Garantie réparation/remplacement

CPE garantit à l'acheteur original que les composants mécaniques et électriques seront exempts de défauts de matériau et de fabrication pendant une durée de trois (3) ans pour un usage domestique ou 1 000 heures, selon ce qui survient en premier, et un (1) an d'utilisation commerciale et industrielle ou 1 000 heures, selon ce qui survient en premier. Les frais de transport du produit soumis pour une réparation ou un remplacement dans le cadre de la présente garantie sont à entièrement à la charge de l'acheteur. La présente garantie ne s'applique qu'uniquement à l'acheteur original et n'est pas transférable. Pour les Conditions générales complètes, consultez www.championpowerequipment.co.uk.

Ne retournez pas l'appareil au point d'achat

Contactez le Service technique de CPE et CPE dépannera votre problème par téléphone ou par e-mail. Si le problème n'est pas corrigé par cette méthode, CPE pourra, à sa discrétion, autoriser une évaluation, une réparation ou un remplacement de la pièce défectueuse ou du composant défectueux dans un Centre après-vente CPE. CPE vous fournira un numéro de cas pour le service de garantie. Veuillez le conserver pour toute référence future. Les réparations ou les remplacements sans autorisation préalable, ou dans un établissement de réparations non agréé, ne seront pas couverts par la présente garantie.

Exclusions de la garantie

La présente garantie ne couvre pas les réparations ni l'équipement suivants :

Usure normale

Les produits dont les composants mécaniques et électriques ont besoin de pièces et de services périodiques pour fonctionner correctement. La présente garantie ne couvre pas la réparation quand l'usure normale a abîmé une pièce ou l'équipement dans son ensemble.

Installation, utilisation et entretien

La présente garantie ne s'applique pas aux pièces et/ou à la main-d'œuvre si le produit est réputé avoir été mal utilisé, négligé, impliqué dans un accident, maltraité, chargé au-delà des limites du produit, modifié, installé d'une mauvaise manière ou connecté d'une mauvaise manière à un composant électrique. Un entretien normal n'est pas

couvert par la présente garantie et ne doit pas obligatoirement avoir lieu dans un établissement ni par une personne agréé(e) par CPE.

Autres exclusions

La présente garantie exclut ce qui suit :

- Défaut esthétique comme la peinture, les autocollants, etc.
- Les éléments soumis à usure comme les éléments de filtre, les joints toriques, etc.
- Les pièces accessoires comme les batteries de démarrage, les segments de piston et les couvercles de stockage.
- Les défauts dus à des catastrophes naturelles et autres cas de force majeure échappant au contrôle du fabricant.
- Les problèmes causés par des pièces qui ne sont pas des pièces d'origine de Champion Power Equipment.

Toute pièce réputée être endommagée par l'utilisateur.

Lorsqu'applicable, la présente garantie ne s'applique pas aux produits utilisés pour l'alimentation principale à la place d'un service public.

Limites de la garantie implicite et des dommages indirects

Champion Power Equipment décline toute obligation de couvrir toute perte de temps, d'utilisation de ce produit, de fret, ou toute réclamation accessoire ou consécutive par quiconque de l'utilisation de ce produit. LA PRÉSENTE GARANTIE ET LES GARANTIES ANNEXES SUR LES SYSTÈMES DE CONTRÔLE DES ÉMISSIONS DE L'EPA BRITANNIQUE ET/OU DE LA CARB (LE CAS ÉCHÉANT) REMPLISSENT TOUTES LES AUTRES GARANTIES, EXPRESSES OU IMPLICITES, Y COMPRIS LES GARANTIES DE QUALITÉ MARCHANDE OU D'ADAPTATION À UN USAGE PARTICULIER.

Un appareil fourni en échange sera soumis à la garantie de l'appareil d'origine. La durée de la garantie régissant l'appareil échangé sera calculée en faisant référence à la date d'achat de l'appareil d'origine.

La présente garantie vous donne certains droits légaux qui peuvent changer selon l'État ou la Province. Votre État ou Province peut également avoir d'autres droits auxquels vous pourriez prétendre qui ne sont pas répertoriés dans la présente garantie.

FR

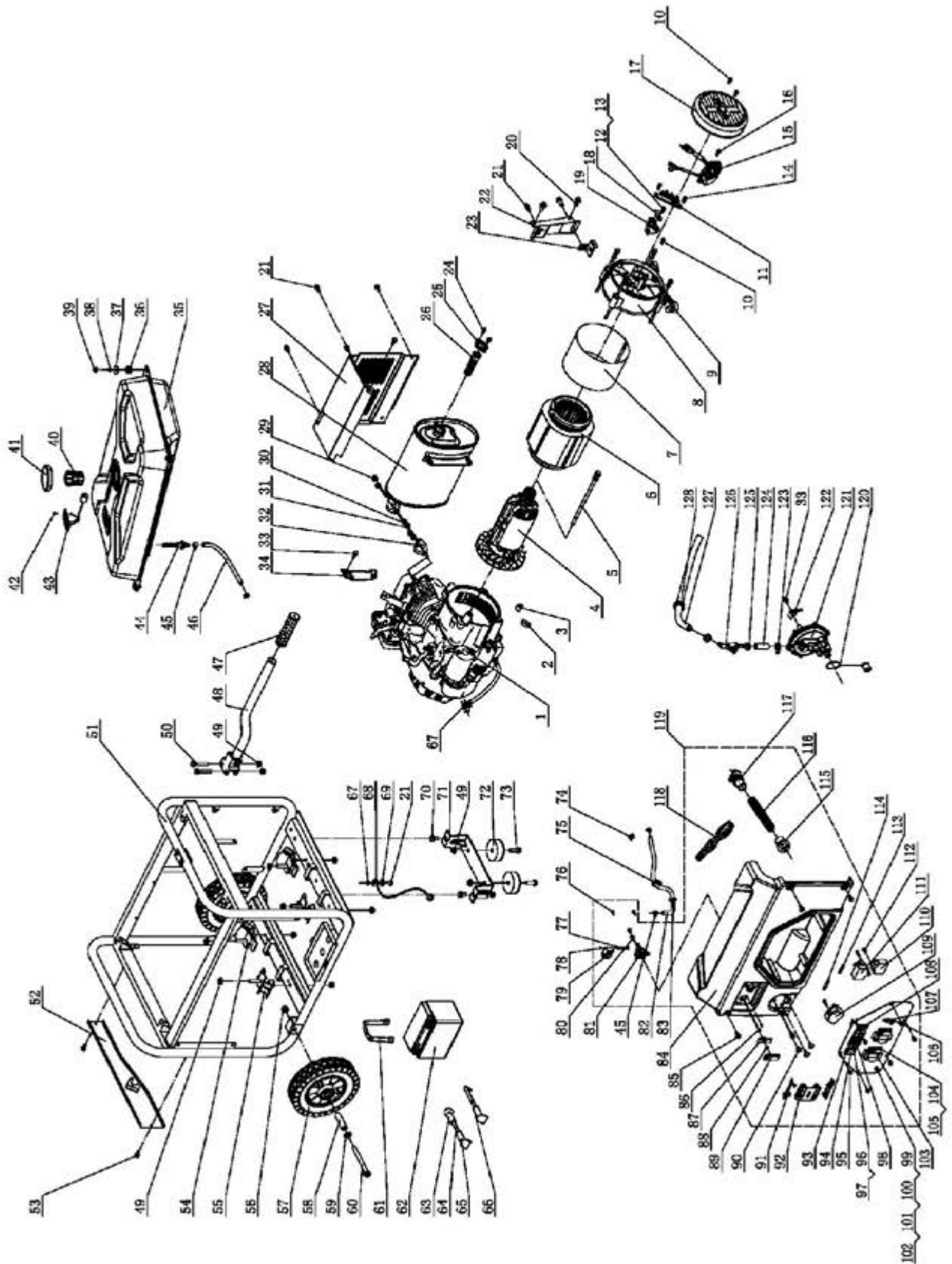
SPECIFICATIONS

SPECIFICATIONS	CPG3500E2-DF-EU/SC
Gasoline Starting Watts	2800W
Gasoline Running Watts	2500W
Propane Starting Watts	2600W
Propane Running Watts	2300W
Gasoline Starting Amps	12.73A
Gasoline Running Amps	11.36A
Propane Starting Amps	11.82A
Propane Running Amps	10.45A
Volts	220
Frequency	50Hz
Outlets	220V 16A Euro 2Pin
GFCI Outlets	No
Covered Outlets	Yes
Gasoline Run Time at 1/2 Load	10.0 h.
Propane Run Time at 1/2 Load	11.0 h.
Noise Level	68.0 dBA
Inverter	No
Parallel Capability	No
DC Operation	No
Voltmeter	Intelligauge
Automatic Voltage Regulation	Yes
Battery	Yes
Start Type	Recoil/Electric Start
Engine Brand	Champion
Engine Size	224cc
Engine Type	4-stroke
Engine Speed	3000
Fuel Type	Gasoline, Propane (LPG)
Fuel Gauge	No
Gasoline Capacity	13L
Gasoline Tank Material	Steel
Engine Oil Type	10W-30
Engine Oil Capacity	0.6 L
Engine Oil Included	No
Low Oil Shut-Off	Yes
Wheels	Yes
Wheel Type	Solid
Wheel Diameter	8.0 in.
ECCC Approved	Yes

SPECIFICATIONS	CPG7500E2-DF-EU/SC
Gasoline Starting Watts	7000W
Gasoline Running Watts	6000W
Propane Starting Watts	5500W
Propane Running Watts	5000W
Gasoline Starting Amps	31.82A
Gasoline Running Amps	27.27A
Propane Starting Amps	25A
Propane Running Amps	22.73A
Volts	220
Frequency	50Hz
Outlets	220V 16A Euro 2Pin
GFCI Outlets	No
Covered Outlets	Yes
Gasoline Run Time at 1/2 Load	8.0 h.
Propane Run Time at 1/2 Load	5.5 h.
Noise Level	74.0 dBA
Inverter	No
Parallel Capability	No
DC Operation	No
Voltmeter	Intelligauge
Automatic Voltage Regulation	Yes
Battery	Yes
Start Type	Recoil/Electric Start
Engine Brand	Champion
Engine Size	439cc
Engine Type	4-stroke
Engine Speed	3000
Fuel Type	Gasoline, Propane (LPG)
Fuel Gauge	No
Gasoline Capacity	23L
Gasoline Tank Material	Steel
Engine Oil Type	10W-30
Engine Oil Capacity	1.1 L
Engine Oil Included	Yes
Low Oil Shut-Off	Yes
Wheels	Yes
Wheel Type	Solid
Wheel Diameter	9.5 in.
ECCC Approved	Yes

TECHNICAL DIAGRAMS

3500 E2 (EU/SC) PARTS DIAGRAM



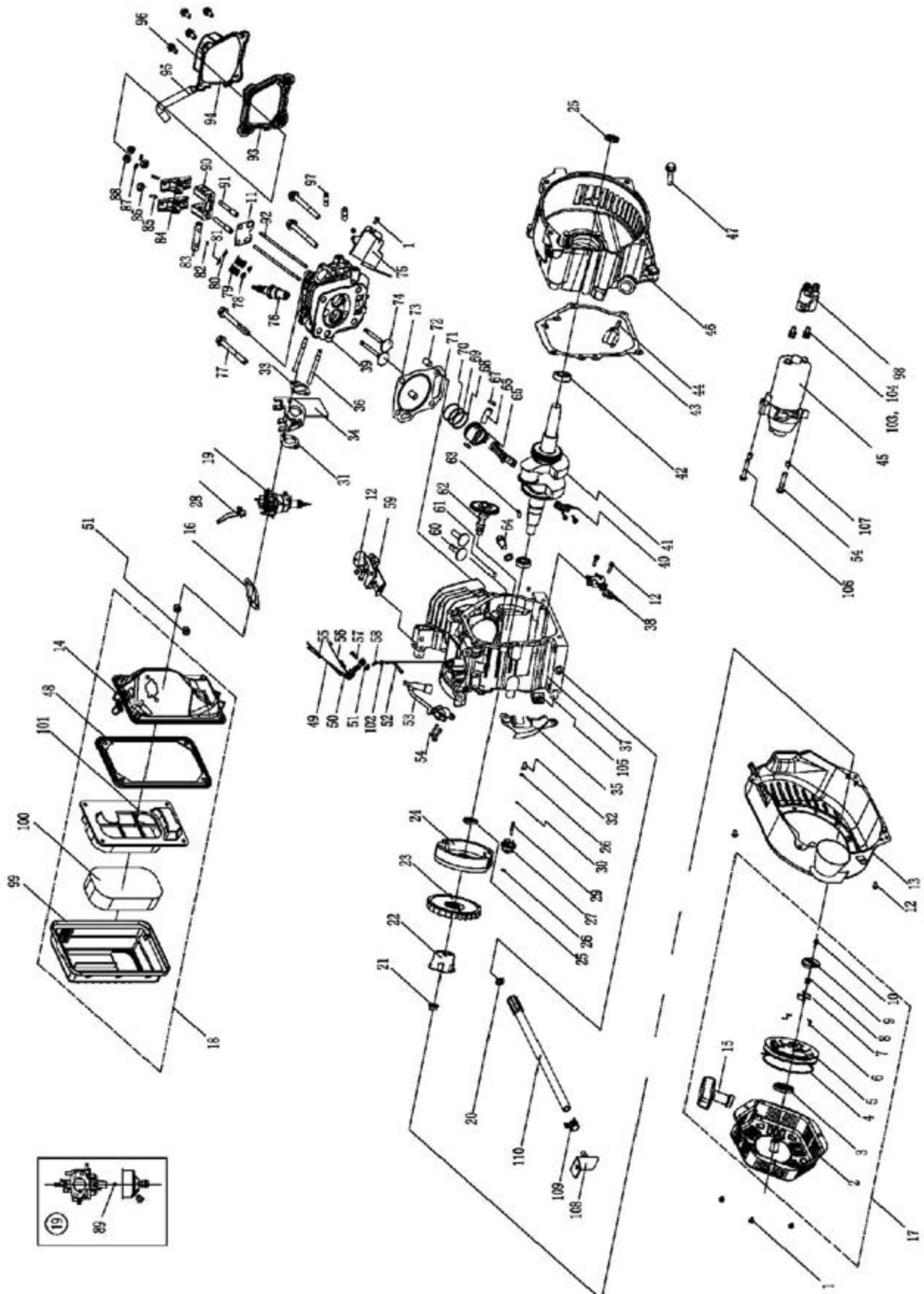
3500 E2 (EU/SC) PARTS LIST

No	Alias	Name	QTY
1	CPG3500E2-DF-EU	Engine	1
2	122.190005.00	Rubber, Fore-Cover, B	1
3	122.190005.01	Rubber, Fore-Cover, A	1
4	123.191100.32	Rotor Assembly	1
5	2.08.022	Flange Bolt M8x242	1
6	123.191200.32	Stator Assembly	1
7	123.191002.01	Stator Cover	1
8	122.190002.00	End Housing	1
9	2.08.065	Flange Bolt M6x168	4
10	1.16674.0512.2	Flange Bolt M5x12	3
11	122.190400.00	Terminal Block	1
12	1.93.05	Lock Washer Ø5	1
13	1.5783.0516	Bolt M5x16	1
14	1.9074.17.0516	Screw/Washer Assembly M5 x 16	2
15	122.190200.00	AVR, 2KW	1
16	1.16674.0516	Flange Bolt M5x16	2
17	122.190003.00.48	Generator End Cover, Yellow	1
18	122.190004.01	Pinch, Carbon Brush	1
19	122.190300.00	Carbon Brush Assembly	1
20	1.16674.0820	Flange Bolt M8x20	3
21	1.5789.0612	Flange Bolt M6x12	7
22	122.190018.01	Bracket II, Muffler	1
23	122.190018.00	Bracket I, Muffler	1
24	1.9074.4.0514	Screw And Washer Assembly M5x14	2
25	46.101503.08	Plate, Spark Arrester	1
26	46.101300.08	Spark Arrester Assembly	1
27	23.102000.03.2	Muffler Cover	1
28	26.101000.00	Muffler Assembly	1
29	1.6175.08	Nut M8	2
30	1.93.08	Lock Washer Ø8	2
31	1.848.08	Washer Ø8	2
32	26.100001.00	Muffler Gasket	1
33	1.5789.0608	Flange Bolt M6x8	2
34	23.090006.21	Holder, Air Cleaner	1
35	122.071000.45.48	Fuel Tank, Yellow	1
36	122.070015.01	Mount Vibration, Fuel Tank	4
37	2.03.004.1	Washer, Ø24xØ6.5x1.5, Black	4
38	1.93.06	Lock Washer Ø6	4
39	1.5789.0620.1	Flange Bolt M6x20, Black	4
40	122.070300.02	Fuel Filter Assembly	1
41	122.070100.03	Fuel Tank Cap	1
42	1.819.0510	Screw M5x10	2
43	152.072000.03	Fuel Meter Assembly	1
44	21.070600.01	Connect, Copper	1
45	2.06.016	Clamp, Ø8.7xb8	4
46	122.070011.08	Fuel Pipe, 245+25 mm	1
47	152.200702.00	Handle Cover	1
48	122.200700.03.2	Handle	1
49	1.6177.1.08	Flange Lock Nut M8	14
50	62279.0.6.2	Frame	1
51	2.05.001	Clamp, Ø8x6.5	2
52	122.200800.05.2	Decorative Plate, Black	1
53	1.5789.0612.1	Flange Bolt M6x12, Black	2
54	122.201200.05	Motor Mount, II	2
55	122.201200.04	Motor Mount, I	2
56	1.6182.10	Lock Nut M10	2
57	122.201701.05.48	8 in. Wheel, Yellow	2
58	122.200016.01	Bushing, Ø16xØ10.5x59	2
59	1.96.10	Washer Ø10	2
60	1.5782.10105	Bolt M10x105	2
61	122.200904.00	Pinch, Rubber	1
62	9.1000.090	Battery 12V9AH	1
63	152.200013.01	Jacket, Wire	1

No	Alias	Name	QTY
64	5.1900.010	Red Wire, 190 mm, Battery, Red	1
65	122.200013.01	Jacket, 9AH Battery	2
66	5.1900.011	Black Wire, 190 mm, Battery, Black	1
67	1.6177.1.06	Flange Lock Nut M6	2
68	5.1900.026	Grounding Line	1
69	1.862.06	Lock Washer Ø6	1
70	1.5789.0816	Flange Bolt M8x16	2
71	152.200002.00.2	Support Leg 60 mm	1
72	152.201400.00	Rubber, Support	2
73	1.5789.0825	Flange Bolt M8x25	2
74	2.05.005	Clip, Ø6	1
75	2.05.009	Clip, Ø12.5x7	1
76	1.845.3513	Screw ST3.5x13	2
77	1.819.1.0330	Screw M3x30	1
78	1.6170.03	Nut M3	1
79	5.1050.000	Switch	1
80	1.845.4816	Screw ST4.8x16	2
81	122.070400.06	Fuel Cock	1
82	122.070011.09	Fuel Pipe, 395+33 mm	1
83	152.070031.01	Jacket, Fuel Hose	1
84	122.210002.24	Control Box	1
85	1.5789.0615.1	Flange Bolt M6x15, Black	4
86	1.823.0408	Screw M4x8	2
87	122.070025.02	Knob	1
88	1.6182.05	Lock Nut M5	1
89	122.070032.00	Knob Sleeve	1
90	2.08.055	Bolt M6x14	3
91	152.201004.00	Lock Catch	2
92	152.200019.00.48	Switch Handle, Yellow	1
93	122.199.7.2	Control Panel, Black	1
94	5.1000.001.3	Ignition Switch	1
95	1.9074.4.0512.1	Screw M5x12, Black	6
96	1.9074.4.0414.1	Screw/Washer Assembly M4x14, Black	2
97	1.6177.1.04.1	Flange Lock Nut M4, Black	8
98	5.1430.005	Intelligauge	1
99	1.5783.0514.3	Bolt M5x14, Green	1
100	1.6170.05.3	Nut M5, Green	2
101	1.97.1.05.3	Washer Ø5, Green	1
102	1.862.05	Lock Washer Ø5	1
103	5.1120.013	Receptacle	2
104	1.819.0414.2	Screw/Washer Assembly M4x14	8
105	1.6177.1.04.2	Flange Lock Nut M4	8
106	1.9074.4.0306.2	Screw/Washer Assembly M3x6	2
107	5.1220.114	Breaker	1
108	5.1000.000.3	Battery Switch	1
109	5.1810.006	VFO Diode	1
110	5.1820.001	Charger	1
111	5.1800.004	Rectifier	1
112	1.818.0514.2	Screw M5x14, Black	3
113	5.1280.003	Fuse, 10A	1
114	5.1280.008	Fuse, 5A	1
115	122.210003.01	Wire Jacket, Control Box	1
116	5.1320.011	Conduit, Plastic, 250 mm	1
117	122.210003.03	Plug, End Housing	1
118	CPG3500E2-DF-EU.21.10	Wire Assembly	1
119	CPG3500E2-DF-EU.21	Control Panel Assembly	1
120	9.1500.002	Sleeve, Connector	1
121	26.136000.06	Pressure-reducing Valve	1
122	122.200018.00	Supporter	1
123	2.06.023	Clip Ø20	2
124	152.070012.05	Pipe, 40 mm	1
125	2.06.032	Clip, Ø17	2
126	122.074000.02	Cut-off Valve	1
127	122.070012.05	Pipe, 380 mm	1
128	152.070031.00	Jacket, LPG Hose	1

TECHNICAL DIAGRAMS

3500 E2 (EU/SC) PARTS DIAGRAM



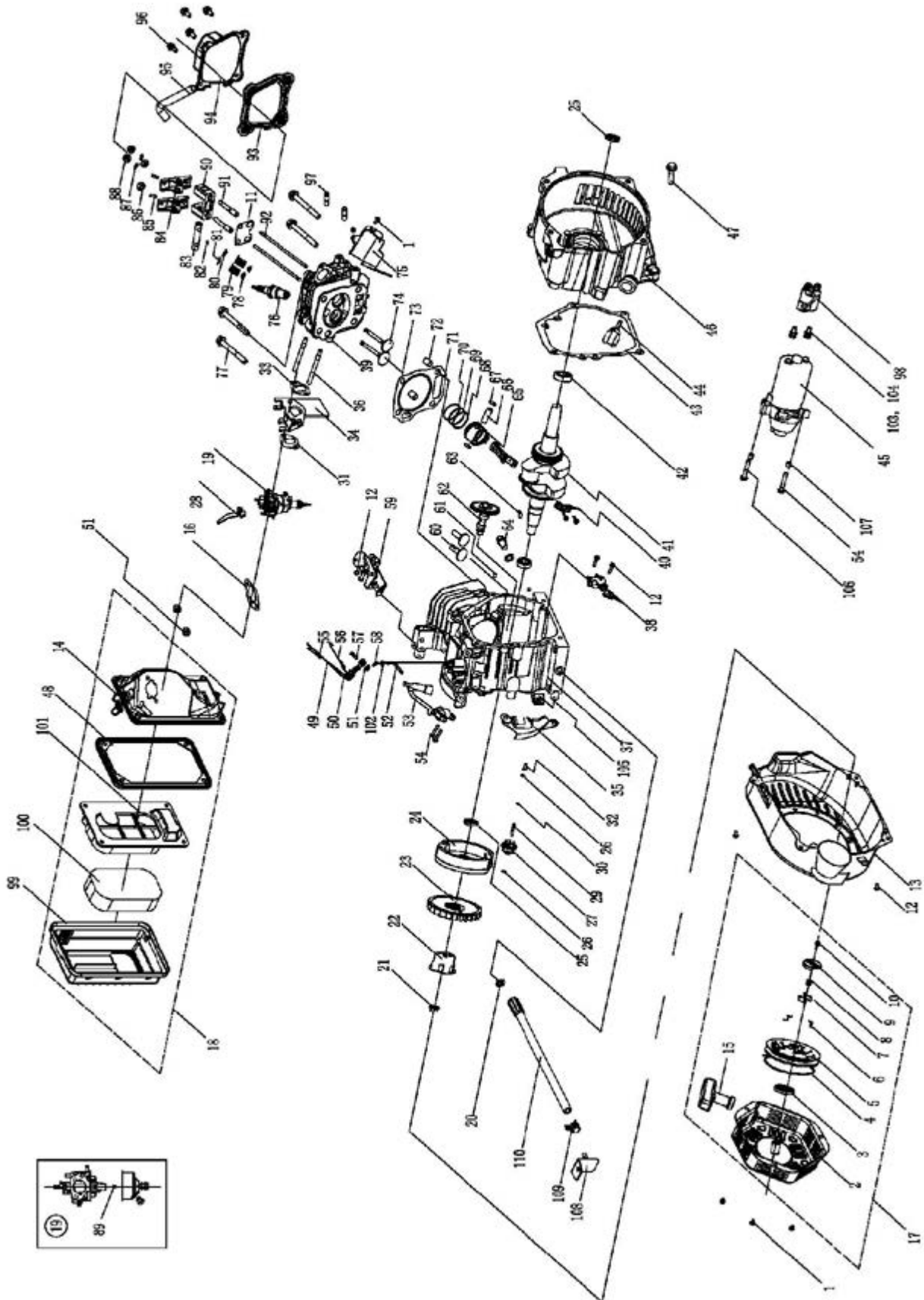
3500 E2 (EU/SC) PARTS LIST

No.	Part Number	Description	Qt
1	1.5789.0608	Flange Bolt M6 × 8	5
2	22.061100.00.2	Cover, Recoil Starter, Black	1
3	21.061005.00	Spring, Recoil Starter	1
4	2.10.003	Rope Ø5 × 1550	1
5	21.061001.01	Reel, Recoil Starter	1
6	45.060003.00	Spring, Ratchet	2
7	45.060002.00	Starter Ratchet, Steel	2
8	45.060009.00	Spring, Ratchet Guide	1
9	45.060007.00	Ratchet Guide	1
10	45.060008.00	Screw, Ratchet Guide	1
11	24.040004.00	Guide Plate, Push Rod	1
12	1.5789.0612	Flange Bolt M6 × 12	8
13	24.080100.00.48	Fan Cover, Yellow	1
14	24.091100.20	Base, Air Cleaner	1
15	21.061300.00	Handle, Recoil, Soft	1
16	24.130004.20	Gasket, Air Cleaner	1
17	22.061000.00	Recoil Assembly	1
18	24.091000.20	Air Cleaner Assembly	1
19	26.131000.25 26.131000.23	Carburetor	1
20	2.03.016	Washer Ø10 × Ø16 × 1.5, Drain Bolt	2
21	2.02.006	Nut M14 × 1.5	1
22	21.060001.01	Pulley, Starter	1
23	23.080001.00	Cooling Fan	1
24	24.120100.10	Flywheel	1
25	2.11.001	Oil Seal Ø25 × Ø41.3 × 6	2
26	2.03.020.1	Washer Ø6.2 × Ø15 × 0.5, Black	2
27	21.110100.00	Gear, Governor	1
28	23.130100.20	Choke Lever	1
29	21.110013.00	Shaft, Governor Gear	1
30	21.110011.00	Clip, Governor Gear	1
31	22.130003.00	Gasket, Carburetor	1
32	21.110012.01	Bushing, Governor Gear, Steel	1
33	24.130002.00	Gasket, Insulator	1
34	23.130001.00	Insulator, Carburetor	1
35	23.080600.02	Air Guide, Right Side	1
36	2.01.003	Stud Bolt M6 × 90	2
37	26.030100.00	Crankcase	1
38	21.127000.02	Oil Level Sensor	1
39	26.010100.00	Cylinder Head	1
40	23.050200.00	Connecting Rod	1
41	25.050100.11	Crankshaft	1
42	1.276.6205	Bearing 6205	2
43	24.030008.00	Gasket, Crankcase Cover	1
44	22.031000.00.48	Oil Dipstick Assembly, Yellow	1
45	23.125100.00	Starter Motor Assembly	1
46	23.030007.01	Cover, Crankcase	1
47	1.5789.0832.0.8	Flange Bolt M8 × 32	6
48	23.091002.21	Seal, Air Cleaner	1
49	23.110006.00	Rod, Governor	1
50	21.110003.00	Arm, Governor	1
51	1.6177.06	Flange Nut M6	3
52	21.110001.00	Shaft, Governor Arm	1
53	22.123000.02	Ignition Coil, Shield EPA	1
54	1.5789.0625	Flange Bolt M6 × 25	3
55	23.110005.01	Spring, Throttle Return	1

No.	Part Number	Description	Qty
56	23.110007.00	Spring, Governor	1
57	2.08.040	Bolt M6 × 21, Governor Arm	1
58	21.110008.00	Pin, Shaft	1
59	23.111000.20	Control Assembly	1
60	25.040013.00	Lifter, Valve	2
61	2.04.001	Dowel Pin Ø9 × 14	2
62	26.041000.00	Camshaft	1
63	2.14.012	Woodruff Key 4 × 7.5 × 19	1
64	2.08.037	Drain Bolt M10 × 1.25 × 25	1
65	26.050005.00	Piston	1
66	23.050003.00	Pin, Piston	1
67	2.09.001	Circlip Ø18 × Ø1	2
68	26.050303.00	Ring, Oil	1
69	26.050302.00	Ring, Second Piston	1
70	26.050301.00	Ring, First Piston	1
71	26.030009.00	Gasket, Cylinder Head	1
72	2.04.003	Dowel Pin Ø10 × 14	2
73	23.040002.00	Valve, Intake	1
74	23.040006.00	Valve, Exhaust	1
75	26.080400.00	Air Guide, Lower	1
76	2.15.002(F6RTC)	Spark Plug F6RTC	1
77	1.5789.0860	Flange Bolt M8 × 60	4
78	23.040017.00	Oil Seal, Valve, Iron	2
79	21.040003.00	Spring, Valve	2
80	21.040007.00	Retainer, Exhaust Valve Spring	1
81	21.040001.00	Retainer, Intake Valve Spring	1
82	21.040008.00	Rotator, Exhaust Valve	1
83	24.040202.00	Shaft, Rocker Arm	1
84	22.040009.00	Rocker Arm, Intake Valve	2
85	22.040012.00	Screw, Valve Adjustment	2
86	21.040021.00	Nut M6 × 0.5, Lock	2
87	1.97.1.06	Washer Ø6	2
88	1.6177.1.06	Flange Nut M6	2
89	26.131017.20 26.131017.20.01	Main Jet, Standard Main Jet, Altitude	1 /
90	24.040201.00	Retainer, Rocker Arm	1
91	23.040010.00	Bolt, Rocker Arm	2
92	23.040005.00	Push Rod	2
93	21.020002.01	Gasket, Cylinder Head Cover	1
94	24.021000.00	Cover, Cylinder Head	1
95	23.020001.02	Breather Tube	1
96	1.5789.0615	Flange Bolt M6 × 15	4
97	2.01.010	Stud Bolt M8 × 35	2
98	23.125200.01	Relay, Starter, Remote Control	1
99	24.091200.20	Cover, Air Cleaner	1
100	23.091003.21	Element, Air Cleaner	1
101	23.091001.21	Separator, Air Cleaner	1
102	2.03.021.1	Washer Ø6.4 × Ø13 × 1, Black	1
103	1.93.05	Lock Washer Ø5	2
104	1.16674.0516	Flange Bolt M5 × 16	2
105	45.030032.00	Sheath, Wire	1
106	1.5789.0629	Flange Bolt M6 × 29	1
107	2.04.005	Dowel Pin Ø8 × 10	2
108	45.030200.00	Support	1
109	2.06.013	Clamp Ø13.5 × b10	1
110	24.032000.00	Oil Guide Assembly	1

TECHNICAL DIAGRAMS

7500 E2 (EU/SC) PARTS DIAGRAM

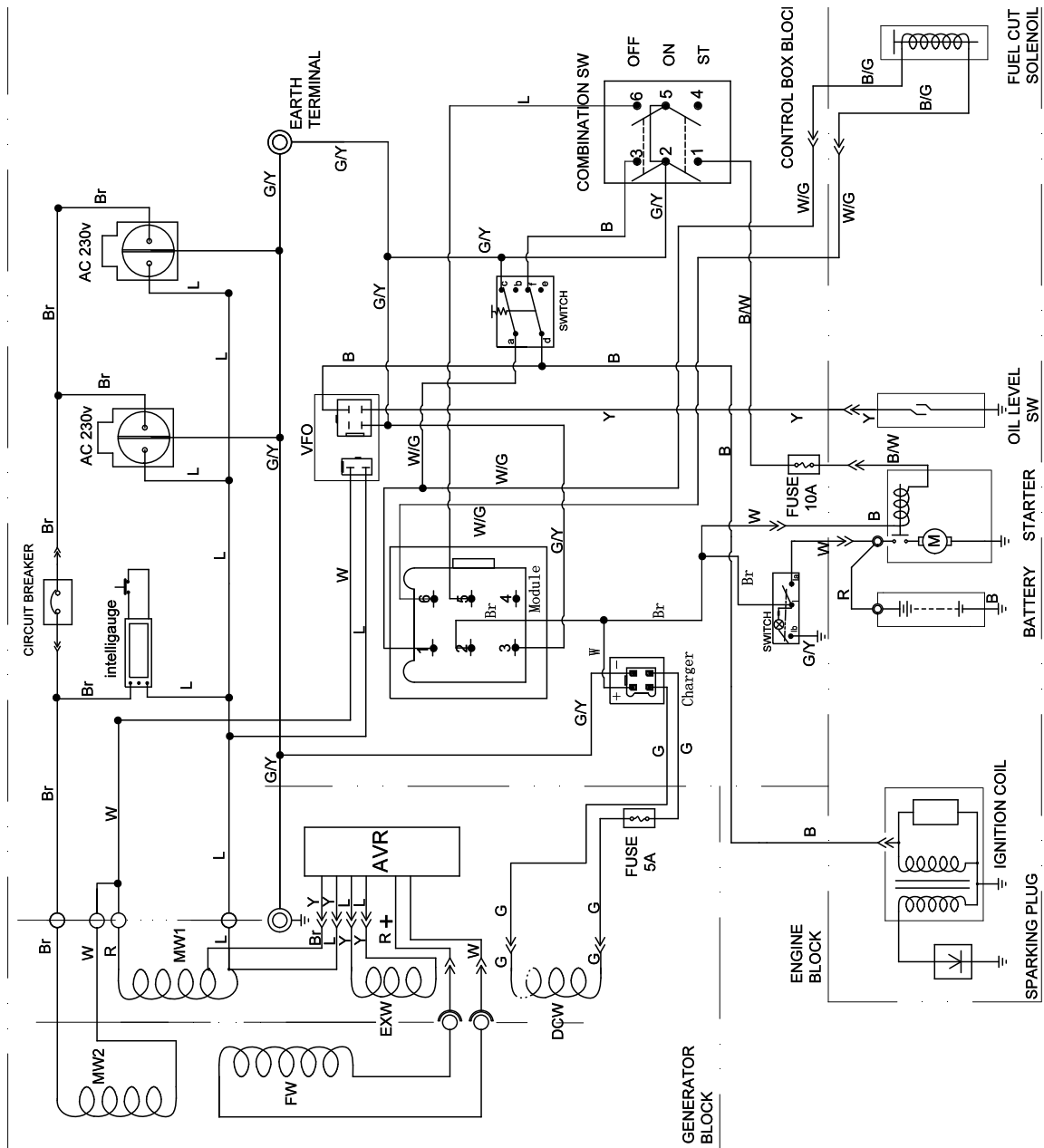


7500 E2 (EU/SC) PARTS LIST

01.01	Reel, Recoil Starter	1
03.00	Spring, Ratchet	2
02.00	Starter Ratchet, Steel	2
09.00	Spring, Ratchet Guide	1
07.00	Ratchet Guide	1
08.00	Screw, Ratchet Guide	1
04.00	Guide Plate, Push Rod	1
0612	Flange Bolt M6 × 12	8
00.00.48	Fan Cover, Yellow	1
00.20	Base, Air Cleaner	1
00.00	Handle, Recoil, Soft	1
04.20	Gasket, Air Cleaner	1
00.00	Recoil Assembly	1
00.20	Air Cleaner Assembly	1
00.25	Carburetor	1
00.23		
3	Washer Ø10 × Ø16 × 1.5, Drain Bolt	2
3	Nut M14 × 1.5	1
01.01	Pulley, Starter	1
01.00	Cooling Fan	1
00.10	Flywheel	1
1	Oil Seal Ø25 × Ø41.3 × 6	2
0.1	Washer Ø6.2 × Ø15 × 0.5, Black	2
00.00	Gear, Governor	1
00.20	Choke Lever	1
013.00	Shaft, Governor Gear	1
011.00	Clip, Governor Gear	1
03.00	Gasket, Carburetor	1
012.01	Bushing, Governor Gear, Steel	1
02.00	Gasket, Insulator	1
01.00	Insulator, Carburetor	1
00.02	Air Guide, Right Side	1
3	Stud Bolt M6 × 90	2
00.00	Crankcase	1
00.02	Oil Level Sensor	1
00.00	Cylinder Head	1
00.00	Connecting Rod	1
00.11	Crankshaft	1
205	Bearing 6205	2
08.00	Gasket, Crankcase Cover	1
00.00.48	Oil Dipstick Assembly, Yellow	1
00.00	Starter Motor Assembly	1
07.01	Cover, Crankcase	1
0832.0.8	Flange Bolt M8 × 32	6
02.21	Seal, Air Cleaner	1
06.00	Rod, Governor	1
03.00	Arm, Governor	1
06	Flange Nut M6	3
01.00	Shaft, Governor Arm	1
00.02	Ignition Coil, Shield EPA	1
0625	Flange Bolt M6 × 25	3
05.01	Spring, Throttle Return	1

60	25.040013.00	Lifter, Valve	2
61	2.04.001	Dowel Pin Ø9 × 14	2
62	26.041000.00	Camshaft	1
63	2.14.012	Woodruff Key 4 × 7.5 × 19	1
64	2.08.037	Drain Bolt M10 × 1.25 × 25	1
65	26.050005.00	Piston	1
66	23.050003.00	Pin, Piston	1
67	2.09.001	Circlip Ø18 × Ø1	2
68	26.050303.00	Ring, Oil	1
69	26.050302.00	Ring, Second Piston	1
70	26.050301.00	Ring, First Piston	1
71	26.030009.00	Gasket, Cylinder Head	1
72	2.04.003	Dowel Pin Ø10 × 14	2
73	23.040002.00	Valve, Intake	1
74	23.040006.00	Valve, Exhaust	1
75	26.080400.00	Air Guide, Lower	1
76	2.15.002(F6RTC)	Spark Plug F6RTC	1
77	1.5789.0860	Flange Bolt M8 × 60	4
78	23.040017.00	Oil Seal, Valve, Iron	2
79	21.040003.00	Spring, Valve	2
80	21.040007.00	Retainer, Exhaust Valve Spring	1
81	21.040001.00	Retainer, Intake Valve Spring	1
82	21.040008.00	Rotator, Exhaust Valve	1
83	24.040202.00	Shaft, Rocker Arm	1
84	22.040009.00	Rocker Arm, Intake Valve	2
85	22.040012.00	Screw, Valve Adjustment	2
86	21.040021.00	Nut M6 × 0.5, Lock	2
87	1.97.1.06	Washer Ø6	2
88	1.6177.1.06	Flange Nut M6	2
89	26.131017.20	Main Jet, Standard	1
	26.131017.20.01	Main Jet, Altitude	/
90	24.040201.00	Retainer, Rocker Arm	1
91	23.040010.00	Bolt, Rocker Arm	2
92	23.040005.00	Push Rod	2
93	21.020002.01	Gasket, Cylinder Head Cover	1
94	24.021000.00	Cover, Cylinder Head	1
95	23.020001.02	Breather Tube	1
96	1.5789.0615	Flange Bolt M6 × 15	4
97	2.01.010	Stud Bolt M8 × 35	2
98	23.125200.01	Relay, Starter, Remote Control	1
99	24.091200.20	Cover, Air Cleaner	1
100	23.091003.21	Element, Air Cleaner	1
101	23.091001.21	Separator, Air Cleaner	1
102	2.03.021.1	Washer Ø6.4 × Ø13 × 1, Black	1
103	1.93.05	Lock Washer Ø5	2
104	1.16674.0516	Flange Bolt M5 × 16	2
105	45.030032.00	Sheath, Wire	1
106	1.5789.0629	Flange Bolt M6 × 29	1
107	2.04.005	Dowel Pin Ø8 × 10	2
108	45.030200.00	Support	1
109	2.06.013	Clamp Ø13.5 × b10	1
110	24.032000.00	Oil Guide Assembly	1

7500 E2 (EU/SC) PARTS DIAGRAM



MODULE					
1	2	3	4	5	6
Solenoid valve (-)	12VDC (+)	GND (+)	GND use	Not use	Solenoid valve (+)

SWITCH					
b	a	c	e	d	f
GAS	○	○	○	○	○
LPG	○	○	○	○	○

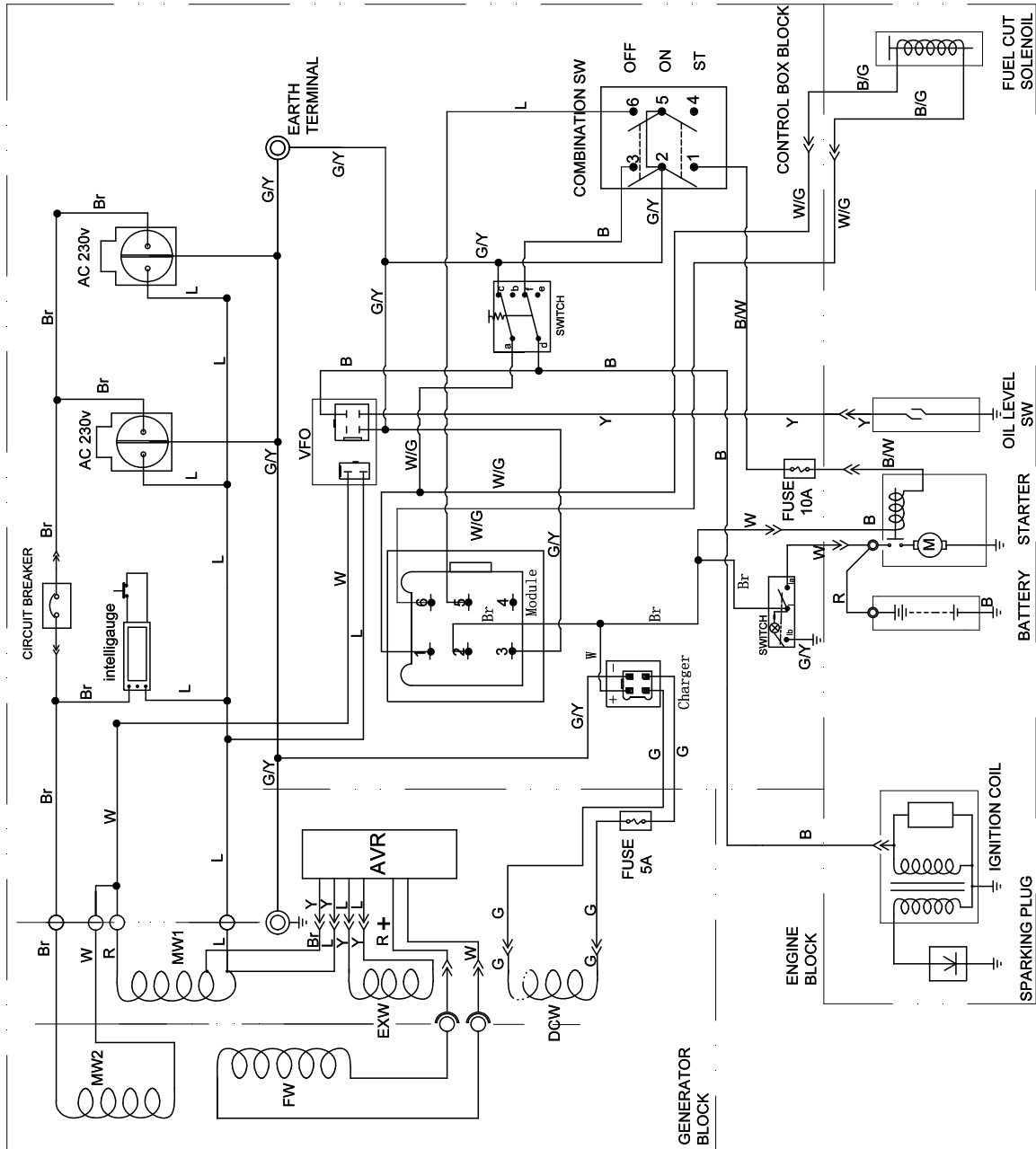
COMBINATION SWITCH					
1	2	3	4	5	6
OFF	○	○	○	○	○
ON	○	○	○	○	○
ST	○	○	○	○	○

B	BLACK	Br	BROWN
Y	YELLOW	B/W	BLACK WHITE
L	BLUE	W/G	WHITE GREEN
G	GREEN	G/Y	GREEN YELLOW
R	RED	W/L	WHITE BLUE
W	WHITE	B/G	BLACK GREEN

7500 E2 (EU/SC) PARTS LIST

No.	Part Number	Description	Qty.	No.	Part Number	Description	Qty.
1	21.061300.00	Handle, Recoil, Soft	1	59	46.020002.00	Gasket, Cylinder Head Cover	1
2	1.5789.0608	Flange Bolt M6 × 8	3	60	47.021000.00	Cover, Cylinder Head	1
3	46.061100.00.2	Cover, Recoil Starter, Black	1	61	45.020001.02	Breather Tube	1
4	45.060005.00	Spring, Recoil Starter	1	62	47.020100.00	Bolt, Cylinder Head Cover	1
5	45.061102.00	Reel, Recoil Starter	1	63	2.08.039	Drain Bolt M12 × 1.5 × 15	1
6	2.10.003	Rope Ø5 × 1550	1	64	47.041000.01	Camshaft	1
7	45.060003.00	Spring, Ratchet	2	65	47.040004.00	Lifter, Valve	2
8	45.060002.00	Starter Ratchet, Steel	2	66	47.040002.00	Valve, Intake	1
9	45.060009.00	Spring, Ratchet Guide	1	67	47.040006.00	Valve, Exhaust	1
10	45.060007.00	Ratchet Guide	1	68	46.040005.00	Push Rod	2
11	45.060008.00	Screw, Ratchet Guide	1	69	45.040015.00	Retainer, Valve Spring	2
12	1.5789.0612	Flange Bolt M6 × 12	12	70	45.040017.00	Oil Seal, Valve	2
13	2.05.009	Clamp Ø12.5 × 7	2	71	45.040003.00	Spring, Valve	2
14	47.080100.01.48	Fan Cover, Yellow	1	72	23.040010.00	Bolt, Rocker Arm	2
15	2.02.007	Nut M16 × 1.5	1	73	45.040001.00	Retainer, Intake Valve Spring	1
16	1.5789.0629	Flange Bolt M6 × 29	4	74	45.040007.00	Retainer, Exhaust Valve Spring	1
17	45.060001.00	Pulley, Starter	1	75	45.040008.00	Rotator, Exhaust Valve	1
18	46.123000.03	Ignition Coil	1	76	46.040004.00	Guide Plate, Push Rod	1
19	47.080001.00	Cooling Fan	1	77	46.040016.00	Shaft, Rocker Arm	1
20	46.120100.05	Flywheel	1	78	46.040201.00	Retainer, Rocker Arm	1
21	46.091000.04.2	Air Cleaner Assembly, Black	1	79	46.040009.00	Rocker Arm, Intake Valve	1
22	46.061000.00	Recoil Assembly	1	80	46.040018.00	Rocker Arm, Exhaust Valve	1
23	2.11.007	Oil Seal Ø35 × Ø52 × 8	2	81	1.97.1.06	Washer Ø6	2
24	2.05.050	Wire Clip 100 mm	1	82	22.040012.00	Screw, Valve Adjustment	2
25	45.030032.00	Sheath, Wire	1	83	1.6177.1.06	Flange Nut M6	2
26	2.03.023	Washer Ø12.5 × Ø20 × 2 , Drain Bolt	2	84	21.040021.00	Nut M6 × 0.5, Lock	2
27	47.030100.01	Crankcase	1	85	2.01.008	Stud Bolt M6 × M8 × 105	2
28	45.127000.02	Oil Level Sensor	1	86	46.130002.20	Gasket, Insulator	1
29	1.5789.0615	Flange Bolt M6 × 15	2	87	45.130001.00	Insulator, Carburetor	1
30	1.276.6202	Bearing 6202	2	88	46.130003.20	Gasket, Carburetor	1
31	47.050006.00	Weight Balancer	1	89	47.131000.25	Carburetor	1
32	47.050100.01	Crankshaft Assembly	1		47.131000.29		
33	46.030008.00	Gasket, Crankcase Cover	1	90	46.130004.20	Gasket, Air Cleaner	1
34	2.04.001	Dowel Pin Ø9 × 14	2	91	1.6177.06	Flange Nut M6	3
35	46.080600.00	Air Guide, Right Side	1	92	46.091100.04	Base, Air Cleaner	1
36	1.276.6207	Bearing 6207	1	93	45.091002.20	Seal, Air Cleaner	1
37	46.031000.01.48	Oil Dipstick Assembly, Yellow	1	94	45.091001.20	Separator, Air Cleaner	1
38	45.030007.00	Cover, Crankcase	1	95	45.091003.20	Element, Air Cleaner	1
39	1.5789.0840.0.8	Flange Bolt M8 × 40	7	96	46.091200.04	Cover, Air Cleaner	1
40	2.03.021.1	Washer Ø6.4 × Ø13 × 1, Black	1	97	1.5789.0835	Flange Bolt M8 × 35	2
41	45.110013.00	Shaft, Governor Gear	1	98	45.125100.00	Starter Motor Assembly	1
42	45.110100.00	Gear, Governor	1	99	45.125200.01	Relay, Starter	1
43	21.110011.00	Clip, Governor Gear	1	100	1.93.05	Lock Washer Ø5	2
44	45.110012.00	Bushing, Governor Gear, Steel	1	101	1.16674.0516	Flange Bolt M5 × 16	2
45	47.050200.00	Connecting Rod Assembly	1	102	45.110001.00	Shaft, Governor Arm	1
46	47.050005.01	Piston	1	103	2.03.019	Washer Ø8.2 × Ø17 × 0.8	1
47	2.09.004	Circlip Ø21 × Ø1	2	104	2.11.006	Oil Seal Ø7 × Ø14 × 5	1
48	45.050003.00	Pin, Piston	1	105	45.110008.00	Pin, Shaft	1
49	46.050303.02	Ring, Oil	1	106	45.110003.01	Arm, Governor	1
50	46.050302.02	Ring, Second Piston	1	107	2.08.040	Bolt M6×21, Governor Arm	1
51	46.050301.02	Ring, First Piston	1	108	45.110006.00	Rod, Governor	1
52	2.04.004	Dowel Pin Ø12 × 20	2	109	45.110005.00	Spring, Throttle Return	1
53	46.030009.02	Gasket, Cylinder Head	1	110	45.110007.01	Spring, Governor	1
54	46.080400.00	Air Guide, Lower	1	111	46.080300.20	Air Guide, Upper	1
55	47.010100.01	Cylinder Head	1	112	47.131017.21	Main Jet, Standard	1
56	2.01.010	Stud Bolt M8 × 35	2		47.131017.21.01	Main Jet, Altitude	/
57	2.15.002(F6RTC)	Spark Plug F6RTC	1	113	45.030200.00	Support	1
58	2.08.014	Flange Bolt M10 × 80	4	114	2.06.013	Clamp Ø13.5 × b10	1
				115	24.032000.00	Oil Guide Assembly	1

3500 E2 (EU/SC) WIRING DIAGRAM



MODULE					
1	2	3	4	5	6
Solenoid valve (-)	12VDC (+)	GND	Not use	SWITCH use	Solenoid valve (+)

SWITCH					
b	a	c	e	d	f
GAS	○	○	○	○	○
LPG	○	○	○	○	○

COMBINATION SWITCH					
1	2	3	4	5	6
OFF	○	○	○	○	○
ON	○	○	○	○	○
ST	○	○	○	○	○

B	BLACK	Br	BROWN
Y	YELLOW	B/W	BLACK WHITE
L	BLUE	W/G	WHITE GREEN
G	GREEN	G/Y	GREEN YELLOW
R	RED	W/L	WHITE BLUE
W	WHITE	B/G	BLACK GREEN

7500 E2 (EU/SC) WIRING DIAGRAM

Part No.	Description	Quantity
08.065	Flange Bolt M6x168	4
16674.0512.2	Flange Bolt M5x12	3
2.190400.00	Terminal Block	1
93.05	Lock Washer Ø5	1
5783.0516	Bolt M5x16	1
9074.17.0516	Screw/Washer Assembly M5 x 16	2
2.190200.00	AVR, 2KW	1
16674.0516	Flange Bolt M5x16	2
2.190003.00.48	Generator End Cover, Yellow	1
2.190004.01	Pinch, Carbon Brush	1
2.190300.00	Carbon Brush Assembly	1
16674.0820	Flange Bolt M8x20	3
5789.0612	Flange Bolt M6x12	7
2.190018.01	Bracket II, Muffler	1
2.190018.00	Bracket I, Muffler	1
9074.4.0514	Screw And Washer Assembly M5x14	2
1.101503.08	Plate, Spark Arrester	1
1.101300.08	Spark Arrester Assembly	1
1.102000.03.2	Muffler Cover	1
1.101000.00	Muffler Assembly	1
6175.08	Nut M8	2
93.08	Lock Washer Ø8	2
848.08	Washer Ø8	2
1.100001.00	Muffler Gasket	1
5789.0608	Flange Bolt M6x8	2
1.090006.21	Holder, Air Cleaner	1
2.071000.45.48	Fuel Tank, Yellow	1
2.070015.01	Mount Vibration, Fuel Tank	4
03.004.1	Washer, Ø24xØ6.5x1.5, Black	4
93.06	Lock Washer Ø6	4
5789.0620.1	Flange Bolt M6x20, Black	4
2.070300.02	Fuel Filter Assembly	1
2.070100.03	Fuel Tank Cap	1
819.0510	Screw M5x10	2
2.072000.03	Fuel Meter Assembly	1
.070600.01	Connect, Copper	1
06.016	Clamp, Ø8.7xb8	4
2.070011.08	Fuel Pipe, 245+25 mm	1
2.200702.00	Handle Cover	1
2.200700.03.2	Handle	1
6177.1.08	Flange Lock Nut M8	14
279.0.6.2	Frame	1
05.001	Clamp, Ø8x6.5	2
2.200800.05.2	Decorative Plate, Black	1
5789.0612.1	Flange Bolt M6x12, Black	2
2.201200.05	Motor Mount, II	2
2.201200.04	Motor Mount, I	2
6182.10	Lock Nut M10	2
2.201701.05.48	8 in. Wheel, Yellow	2
2.200016.01	Bushing, Ø16xØ10.5x59	2
96.10	Washer Ø10	2
5782.10105	Bolt M10x105	2
2.200904.00	Pinch, Rubber	1
1000.090	Battery 12V9AH	1
2.200013.01	Jacket, Wire	1

Part No.	Description	Quantity	
72	152.201400.00	Rubber, Support	2
73	1.5789.0825	Flange Bolt M8x25	2
74	2.05.005	Clip, Ø6	1
75	2.05.009	Clip, Ø12.5x7	1
76	1.845.3513	Screw ST3.5x13	2
77	1.819.1.0330	Screw M3x30	1
78	1.6170.03	Nut M3	1
79	5.1050.000	Switch	1
80	1.845.4816	Screw ST4.8x16	2
81	122.070400.06	Fuel Cock	1
82	122.070011.09	Fuel Pipe, 395+33 mm	1
83	152.070031.01	Jacket, Fuel Hose	1
84	122.210002.24	Control Box	1
85	1.5789.0615.1	Flange Bolt M6x15, Black	4
86	1.823.0408	Screw M4x8	2
87	122.070025.02	Knob	1
88	1.6182.05	Lock Nut M5	1
89	122.070032.00	Knob Sleeve	1
90	2.08.055	Bolt M6x14	3
91	152.201004.00	Lock Catch	2
92	152.200019.00.48	Switch Handle, Yellow	1
93	122.199.7.2	Control Panel, Black	1
94	5.1000.001.3	Ignition Switch	1
95	1.9074.4.0512.1	Screw M5x12, Black	6
96	1.9074.4.0414.1	Screw/Washer Assembly M4x14, Black	2
97	1.6177.1.04.1	Flange Lock Nut M4, Black	8
98	5.1430.005	Intelligauge	1
99	1.5783.0514.3	Bolt M5x14, Green	1
100	1.6170.05.3	Nut M5, Green	2
101	1.97.1.05.3	Washer Ø5, Green	1
102	1.862.05	Lock Washer Ø5	1
103	5.1120.013	Receptacle	2
104	1.819.0414.2	Screw/Washer Assembly M4x14	8
105	1.6177.1.04.2	Flange Lock Nut M4	8
106	1.9074.4.0306.2	Screw/Washer Assembly M3x6	2
107	5.1220.114	Breaker	1
108	5.1000.000.3	Battery Switch	1
109	5.1810.006	VFO Diode	1
110	5.1820.001	Charger	1
111	5.1800.004	Rectifier	1
112	1.818.0514.2	Screw M5x14, Black	3
113	5.1280.003	Fuse, 10A	1
114	5.1280.008	Fuse, 5A	1
115	122.210003.01	Wire Jacket, Control Box	1
116	5.1320.011	Conduit, Plastic, 250 mm	1
117	122.210003.03	Plug, End Housing	1
118	CPG3500E2-DF-EU.21.10	Wire Assembly	1
119	CPG3500E2-DF-EU.21	Control Panel Assembly	1
120	9.1500.002	Sleeve, Connector	1
121	26.136000.06	Pressure-reducing Valve	1
122	122.200018.00	Supporter	1
123	2.06.023	Clip Ø20	2
124	152.070012.05	Pipe, 40 mm	1
125	2.06.032	Clip, Ø17	2
126	122.074000.02	Cut-off Valve	1
127	122.070012.05	Pipe, 380 mm	1
128	152.070031.00	Jacket, LPG Hose	1

EC Declaration of Conformity

Zertifikatnr. / Certificat nr / Certificate No. DW2017CE0239 01-V1-BPE

Lieferant und Emittent / Fournisseur et émetteur / Supplier and Issuer:

BPE Solutions Deutschland GmbH, Altrottstrasse 31, 69190 Walldorf, Deutschland

Gerät(e) / Dispositif (s) / Equipment	Champion Low Power Generating Sets
Modell / Modéle / Model	CPG3500-EU, CPG3500E2-DF-EU, CPG4000E1-EU, CPG6500E2-EU, CPG7500E2-DF-EU, CPG9000E2-EU
Seriennummer / numéro de série / Serial Number	

Gemäß den folgenden Richtlinien / Conformément aux directives suivantes
In accordance with the following directives :

Machinery Directive 2006/42/EC
Low Voltage Directive 2014/35/EU
Electromagnetic Compatibility Directive 2014/30/EU
Emission of Gaseous and Particulate Pollutants 2012/46/EU
Noise Directive 2005/88/EC
RoHS Directive 2011/65/EU

Gemäß den folgenden Normen / Selon les normes suivantes /
In accordance with the following Standards:

BS EN ISO 8528-13:2016	BS EN 60204-1:2018	BS EN IEC 61000-6-1:2019
BS EN 12601:2010	BS EN 55012:2007+A1:2009	BS EN ISO 3744:1995

Hiermit erkläre ich, dass das/die obengenannte(n) Gerät(e) gemäß den relevanten Abschnitten der obigen Anforderungen entworfen und hergestellt wurde(n). Die Produkte entsprechen den Grundanforderungen der relevanten Richtlinien und Normen. Dieses Zertifikat ist nur bei den obengenannten Produkten und Konfigurationen im Zusammenhang mit detaillierten Testdaten sowie mit allen zutreffenden rechtlichen Vorschriften des Produktes gültig.

Je déclare par la présente que le(s) dispositif(s) ci – dessus ont été conçus et fabriqués conformément aux sections pertinentes des exigences ci-dessus. Les produits satisfont aux exigences de base des directives et normes applicables. Ce certificat n'est valable que pour les produits et configurations ci-dessus en relation avec des données de test détaillées ainsi qu'avec toutes les réglementations légales applicables du produit.

I hereby declare that the equipment named above has been designed and manufactured to comply with relevant sections of the above referenced specifications. The products comply with the essential requirements of the relevant directives and standards. This certificate is only valid for the product(s) and configuration described in conjunction with details test data and with all applicable legal requirements of this product.

This declaration of conformity is issued under the exclusive responsibility of the manufacturer.

Datum / Date:	01.06.2022 09:52
Land / Pays / Issuing Country:	Deutschland


Paul Bimson
QA & Development Manager



Registered Technical File Holders Address
BPE Solutions Deutschland GmbH
Altrottstrasse 31
69190 Walldorf
Deutschland
DE 347460020

EC Declaration of Conformity

Zertifikatnr. / Certificat nr / Certificate No. DW2017CE0239 01-V1-BPE

Lieferant und Emittent / Fournisseur et émetteur / Supplier and Issuer:

BPE Holding Ltd, Unit 17/18A Bradley Hall Trad Est, Bradley Lane, Wigan, WN6 0XQ, UK

Gerät(e) / Dispositif (s) / Equipment	Champion Low Power Generating Sets
Modell / Modéle / Model	CPG3500, CPG3500E2-DF, CPG4000E1, CPG6500E2, CPG7500E2-DF, CPG9000E2
Seriennummer / numéro de série / Serial Number	

Gemäß den folgenden Richtlinien / Conformément aux directives suivantes
In accordance with the following directives :

Machinery Directive 2006/42/EC
Low Voltage Directive 2014/35/EU
Electromagnetic Compatibility Directive 2014/30/EU
Emission of Gaseous and Particulate Pollutants 2012/46/EU
Noise Directive 2005/88/EC
RoHs Directive 2011/65/EU

Gemäß den folgenden Normen / Selon les normes suivantes /
In accordance with the following Standards:

BS EN ISO 8528-13:2016	BS EN 60204-1:2018	BS EN IEC 61000-6-1:2019
BS EN 12601:2010	BS EN 55012:2007+A1:2009	BS EN ISO 3744:1995

Hiermit erkläre ich, dass das/die obengenannte(n) Gerät(e) gemäß den relevanten Abschnitten der obigen Anforderungen entworfen und hergestellt wurde(n). Die Produkte entsprechen den Grundanforderungen der relevanten Richtlinien und Normen. Dieses Zertifikat ist nur bei den obengenannten Produkten und Konfigurationen im Zusammenhang mit detaillierten Testdaten sowie mit allen zutreffenden rechtlichen Vorschriften des Produktes gültig.

Je déclare par la présente que le(s) dispositif(s) ci – dessus ont été conçus et fabriqués conformément aux sections pertinentes des exigences ci-dessus. Les produits satisfont aux exigences de base des directives et normes applicables. Ce certificat n'est valable que pour les produits et configurations ci-dessus en relation avec des données de test détaillées ainsi qu'avec toutes les réglementations légales applicables du produit.

I hereby declare that the equipment named above has been designed and manufactured to comply with relevant sections of the above referenced specifications. The products comply with the essential requirements of the relevant directives and standards. This certificate is only valid for the product(s) and configuration described in conjunction with details test data and with all applicable legal requirements of this product.

This declaration of conformity is issued under the exclusive responsibility of the manufacturer.

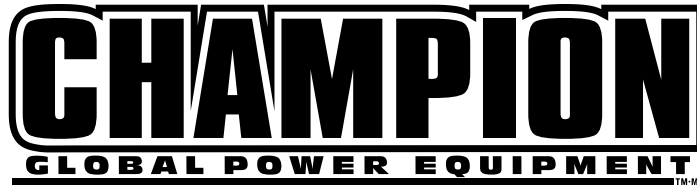
Datum / Date:	01.06.2022 09:52
Land / Pays / Issuing Country:	United Kingdom


Paul Binson
QA & Development Manager

**UK
CA**

Registered Technical File Holder
BPE Holdings Ltd
Unit 17/18A Bradley Hall Trad Est
Bradley Lane
Wigan
WN6 0XQ
UK

EN



**For warranty and repair enquiries,
please contact the retailer where you
purchased your Champion product.**

Champion Power Equipment Europe Service & Technical Contacts

United Kingdom:

BPE Holdings
Unit 17-18
Bradley Hall Trading Estate
Bradley Lane, Standish
Wigan, WN6 0XQ, UK
service@bpeholdings.co.uk

Germany:

BPE Solutions Deutschland GmbH
Altrottstraße 31
D-69190 Walldorf
Germany
support@bpeholdings.de

France:

BPE Solutions France SAS
3 Boulevard de Belfort
59000 Lille
France
sav@bpeholdings.fr

Sweden:

BPE Nordic AB
Valnäsgatan 2
44252 Ytterby
Sweden
info@championgenerators.se