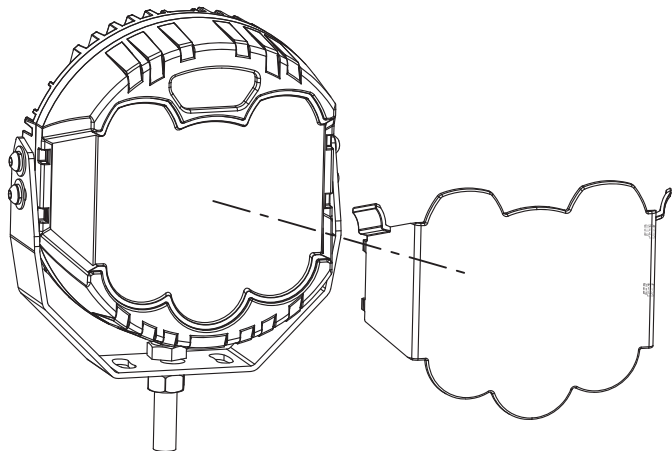
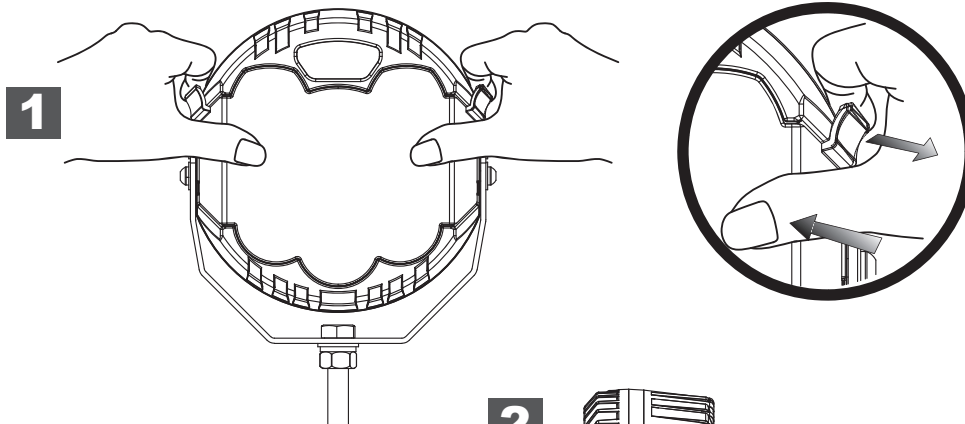


## Let's start



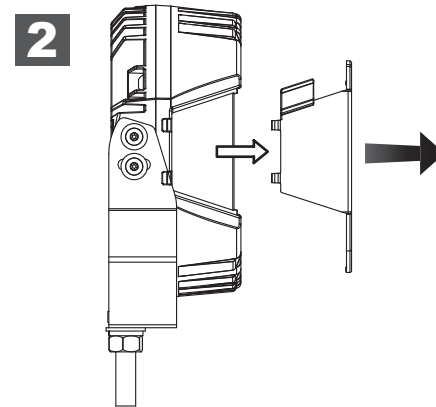
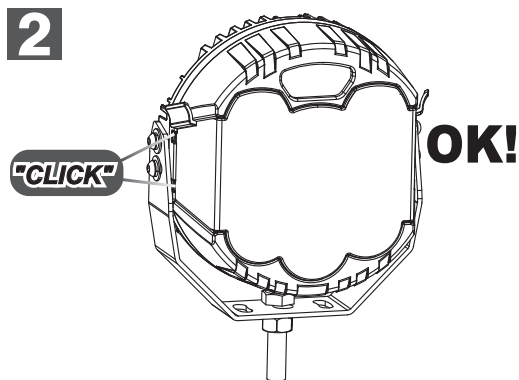
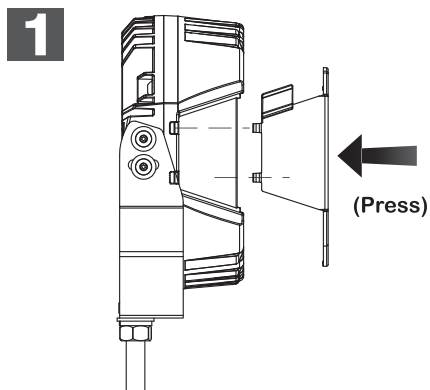
## Uninstallation Steps

Press the cover with your thumbs and pull the latches on the side at the same time (as #1)



## Installation Steps

Align the side latches (as #1) and press at the same time (as# 2) until hearing "CLICK".



▾ **LAMP COVER**  
COLOUR : Amber