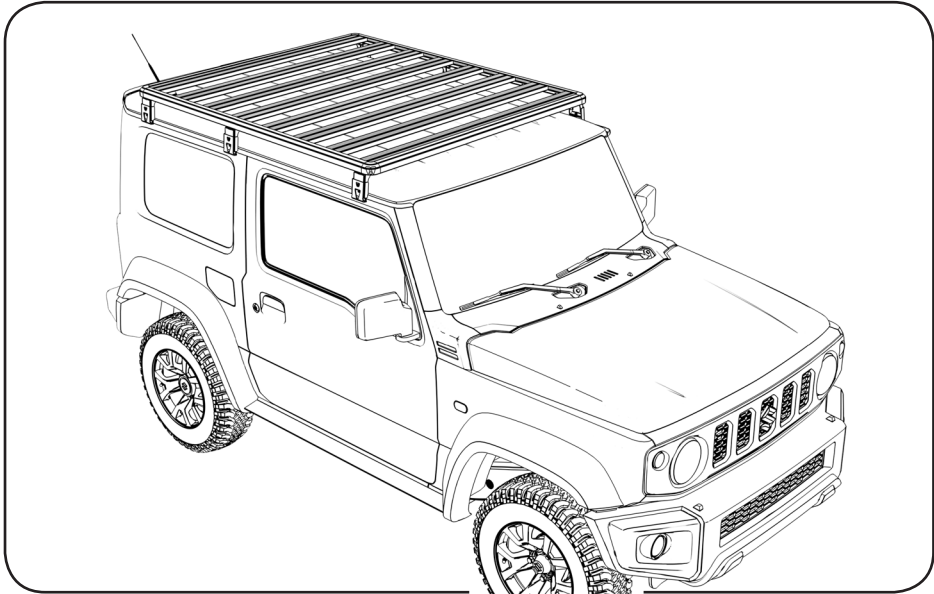




INSTRUCTIONS

ASSEMBLY INSTRUCTIONS SUZUKI JIMNY



VICKYWOOD

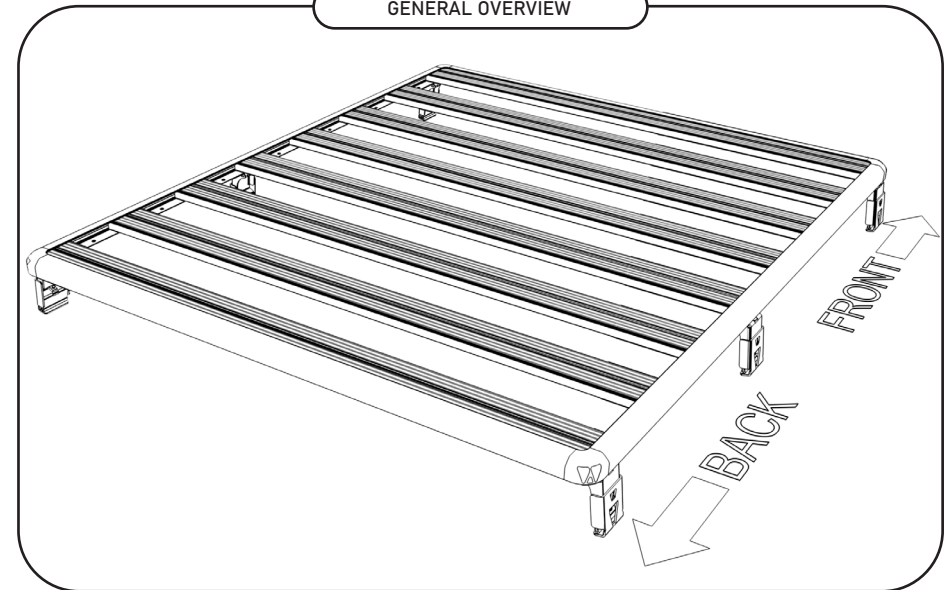
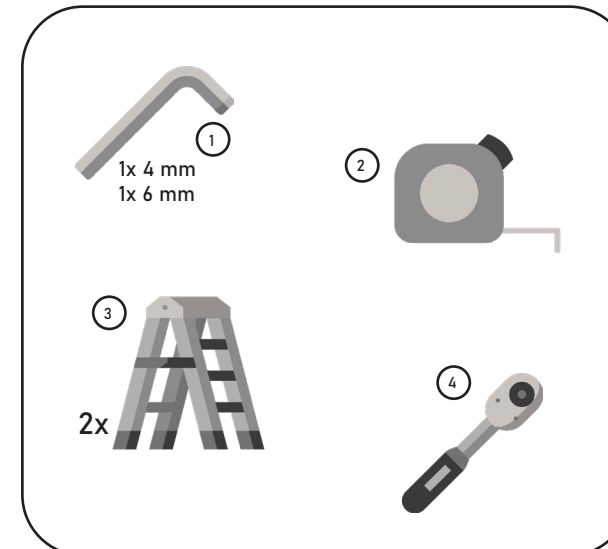
READ ME! ⚠

THANK YOU FOR CHOOSING VICKYWOOD. BEFORE YOU START ASSEMBLING YOUR ROOFRACK, TAKE A MOMENT TO CHECK OUT THE COMPONENTS AND LOOK THROUGH THE INSTRUCTIONS. ON THE NEXT PAGE YOU'LL FIND A LIST OF ALL COMPONENTS AND TOOLS REQUIRED.

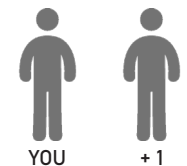
IMPORTANT IN WARNING ⚠

ENSURING THE PROPER ASSEMBLY AND SECURE ATTACHMENT OF ALL VICKYWOOD PRODUCTS TO YOUR VEHICLE IS OF PARAMOUNT IMPORTANCE. IMPROPER INSTALLATION MAY RESULT IN ACCIDENTS, POSE DANGEROUS RISKS OF INJURY, OR EVEN FATALITIES. THUS, IT IS CRUCIAL TO VERIFY THAT EVERY COMPONENT IS ASSEMBLED ACCURATELY AND FIRMLY ATTACHED TO YOUR VEHICLE. YOU ARE RESPONSIBLE FOR THOROUGHLY INSPECTING ALL ATTACHMENTS BEFORE USAGE AND CHECKING THE PRODUCTS FOR ADJUSTMENTS, WEAR AND DAMAGE ON A REGULAR BASIS. CONSEQUENTLY, IT IS MANDATORY TO READ AND COMPREHEND ALL THE PROVIDED INSTRUCTIONS AND SAFETY PRECAUTIONS ACCOMPANYING YOUR VICKYWOOD PRODUCT BEFORE INSTALLATION OR USE. IF YOU ENCOUNTER DIFFICULTIES IN UNDERSTANDING THE PROCEDURES OR LACK MECHANICAL EXPERTISE, IT IS HIGHLY RECOMMENDED TO ENLIST THE SERVICES OF A PROFESSIONAL INSTALLER OR OTHER QUALIFIED INDIVIDUALS.

IMPORTANT NOTE: VICKYWOOD WILL NOT ASSUME RESPONSIBILITY FOR ANY DAMAGES RESULTING FROM FAILURE TO ADHERE TO THESE INSTALLATION INSTRUCTIONS. FEEL FREE TO CONTACT US SHOULD YOU HAVE ANY QUERIES REGARDING THE INSTALLATION OF THIS PRODUCT.

GENERAL OVERVIEW

REQUIRED TOOLS

REQUIRED TOOLS:

1. ALLEN KEY 4 MM + 6 MM
2. TAPE MEASURE
3. 2X STEP LADDER (TO LIFT THE RACK ONTO THE VEHICLE)
4. TORQUE WRENCH

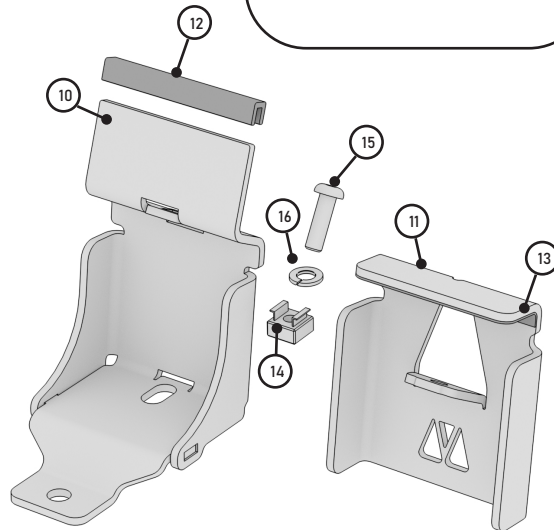
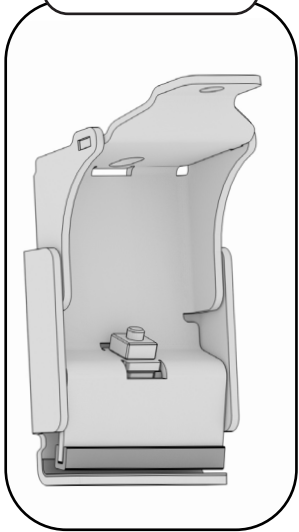
HELPING HANDS FOR LIFTING THE RACK ONTO THE VEHICLE:


PARTS LIST

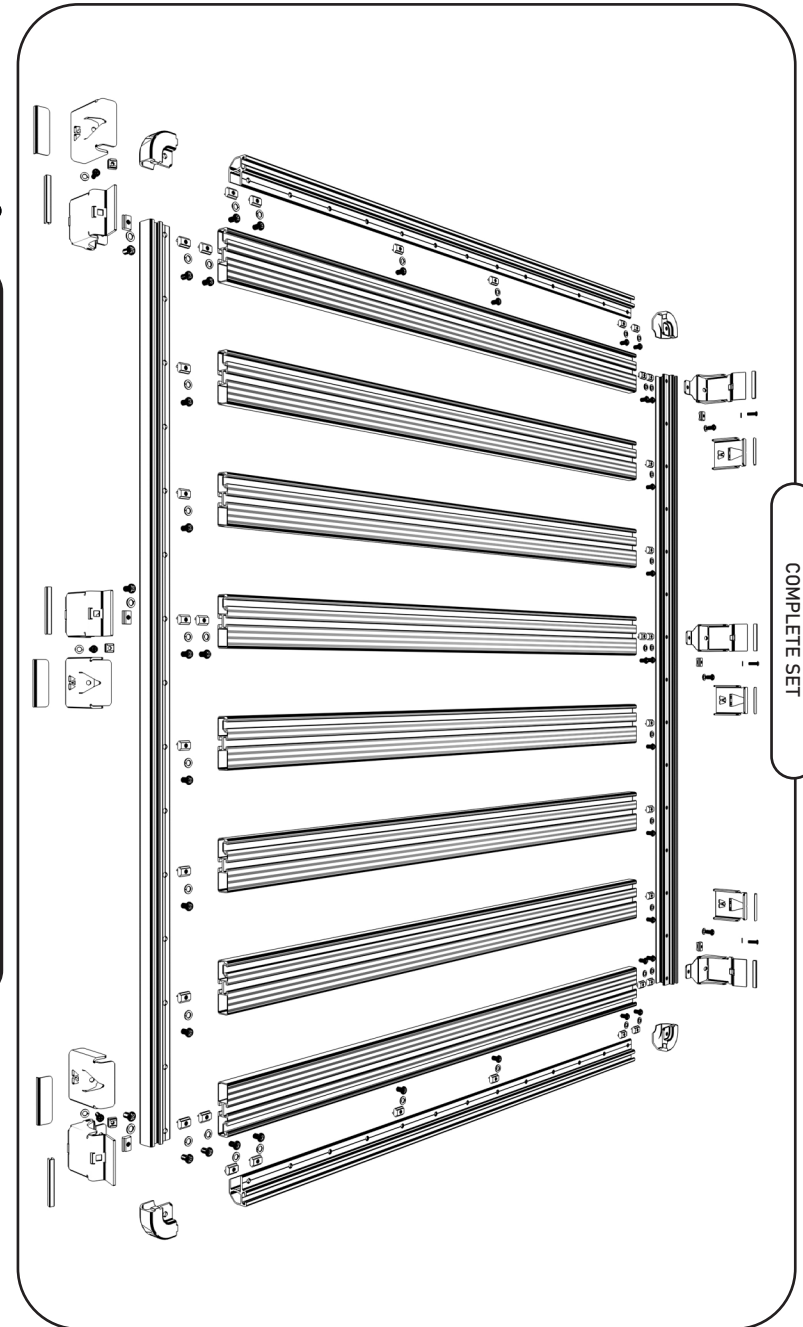
PARTS:

1. BOTTOM PROFILE B12A - 8 PCS.
2. SIDE PROFILE S12A - 2 PCS.
3. SIDE PROFILE S14A - 2 PCS.
4. WASHER- DIN 125-1 - A2 - 40 PCS.
5. SPRING RING - DIN 128 - A8 - 40 PCS.
6. BOLT- ISO 7380-1 - M8 X 14 - 40 PCS.
7. T NUT WITH SPRING LEAF M8 - 40 PCS.
8. CORNER - 4 PCS.
9. SCREW LOCK
10. SJ MOUNT 1 - 6 PCS.
11. SJ MOUNT 2 - 6 PCS.
12. SEALING RUBBER 1 - 6 PCS.
13. SEALING RUBBER 2 - 6 PCS.
14. CAGE NUT M6 - 6 PCS.
15. BOLT M6 X 20 - 6 PCS.
16. LOCK WASHER DIN 128 A6 - 6 PCS.

COMPLETED CONNECTOR



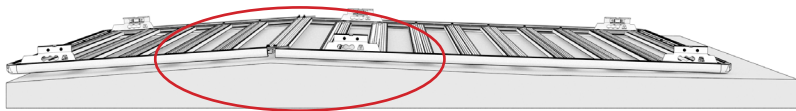
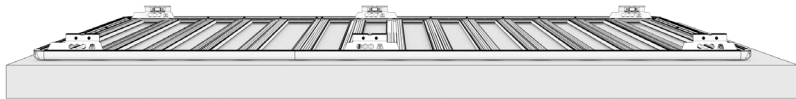
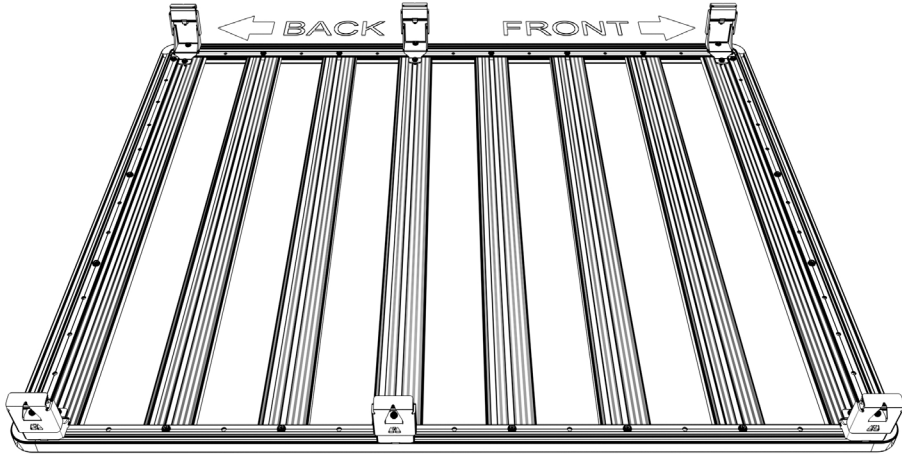
TOOLS NEEDED: 1. MEASURING TAPE, 2. HEX KEY 4 MM, 3. HEX KEY 6 MM



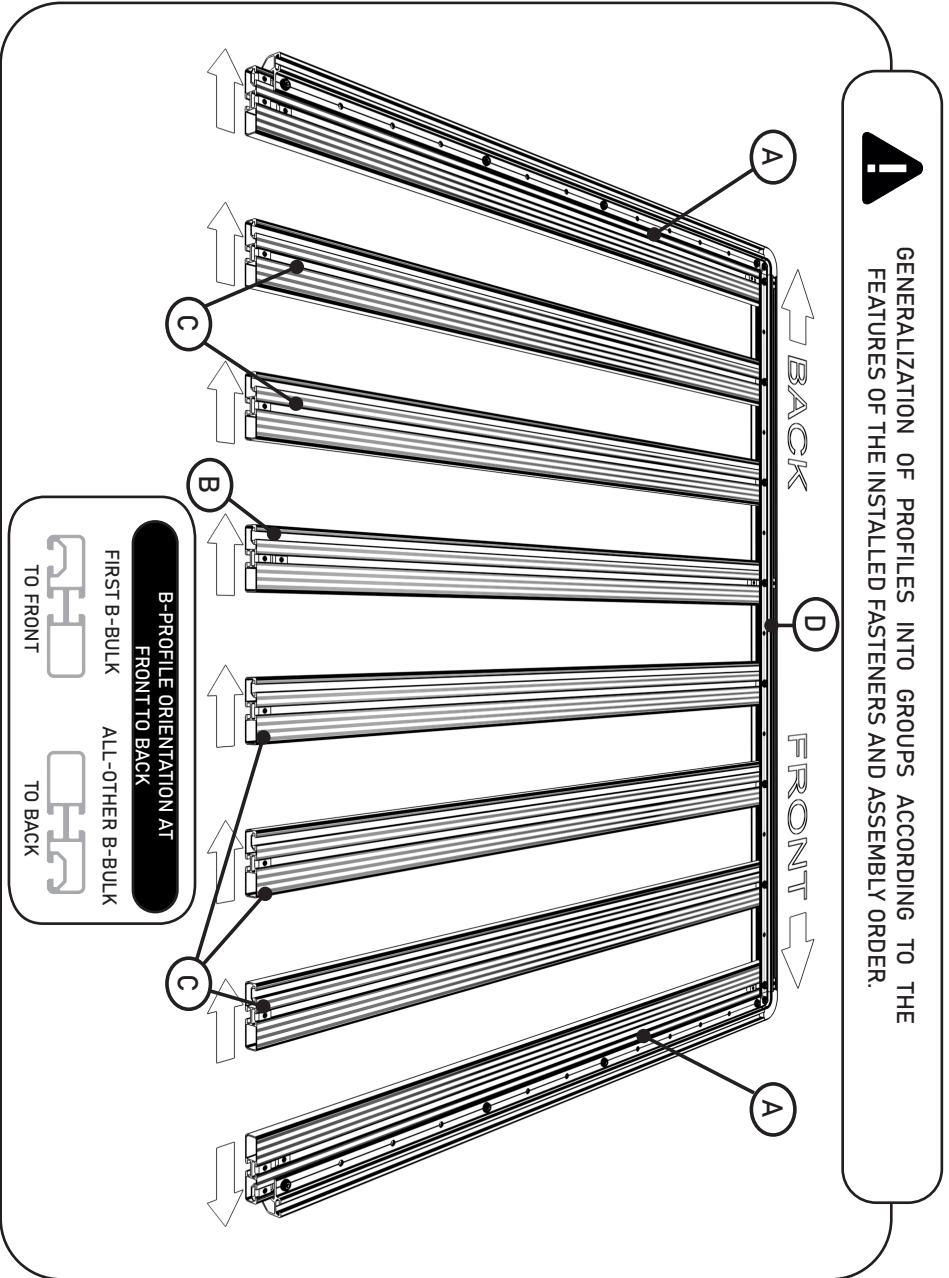
COMPLETE SET



ASSEMBLE ON A FLAT HORIZONTAL SURFACE TO AVOID WARPING AND BACKLASH, INVERTED - FOR CONVENIENCE AND EASE OF ASSEMBLY.



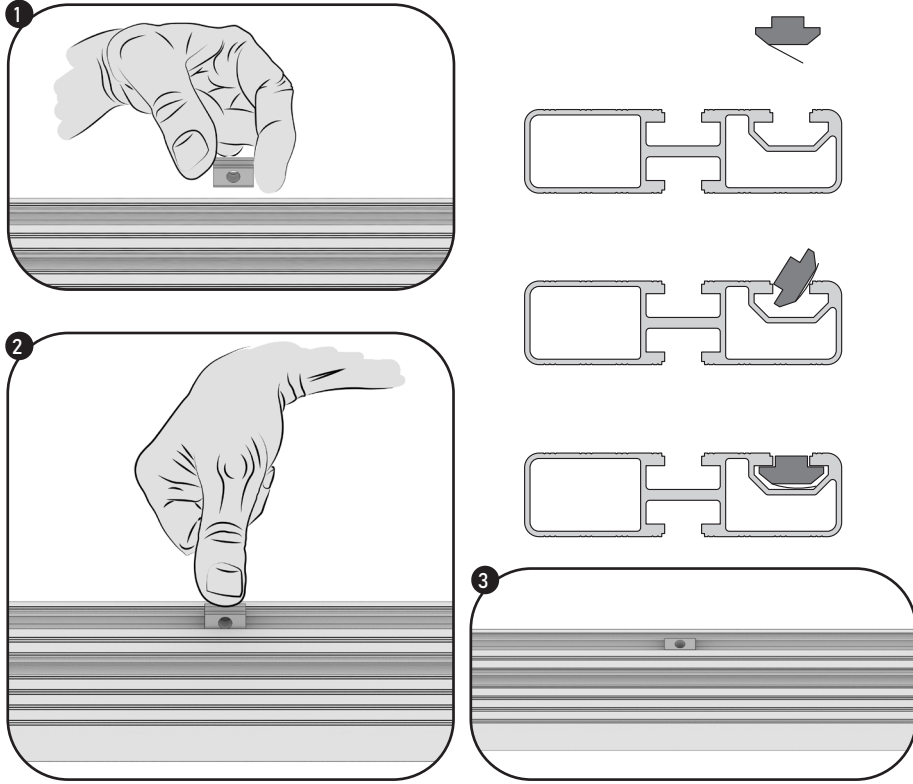
GENERALIZATION OF PROFILES INTO GROUPS ACCORDING TO THE FEATURES OF THE INSTALLED FASTENERS AND ASSEMBLY ORDER.



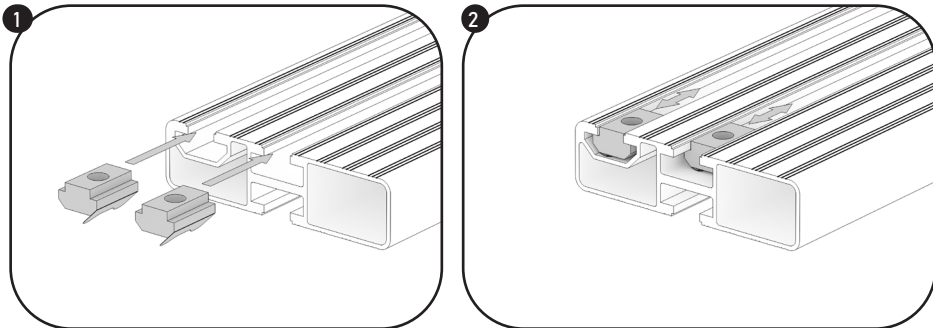


WAYS OF INSTALLING T NUT WITH SPRING LEAF INTO T SLOT OF PROFILES

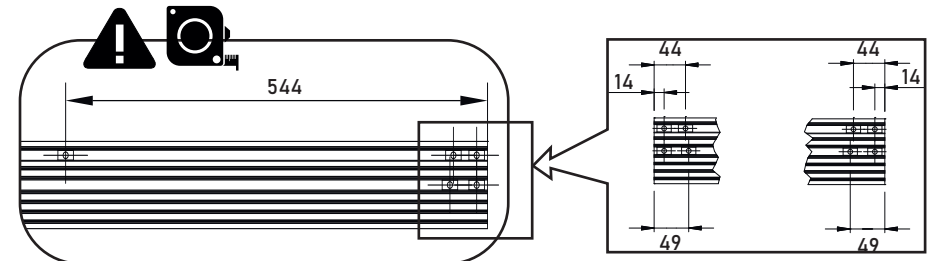
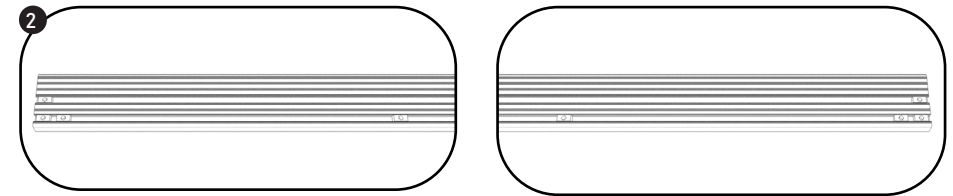
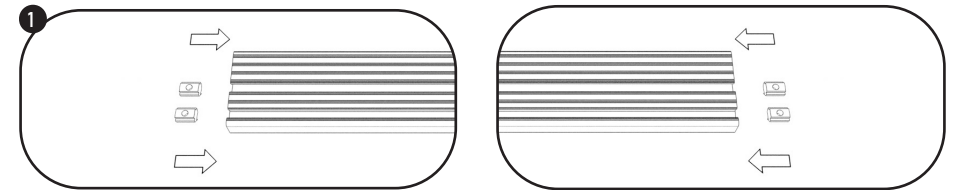
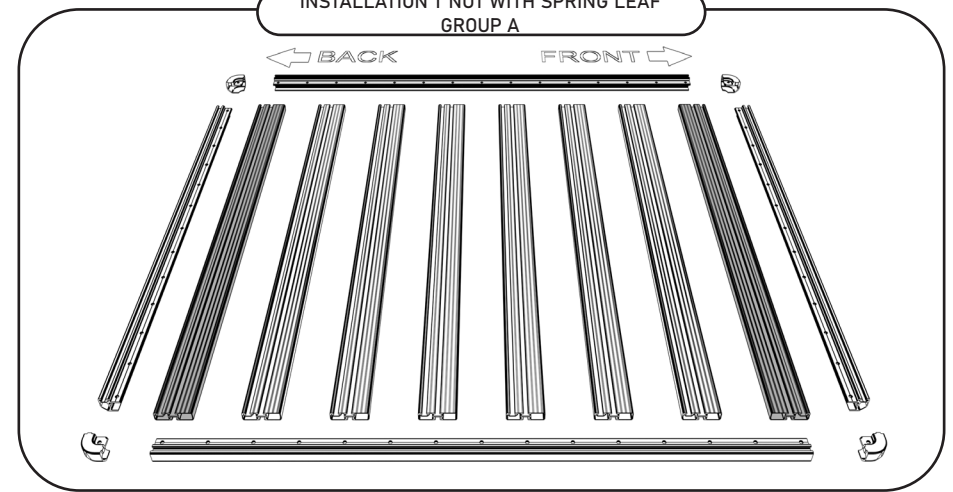
WAY 1



WAY 2

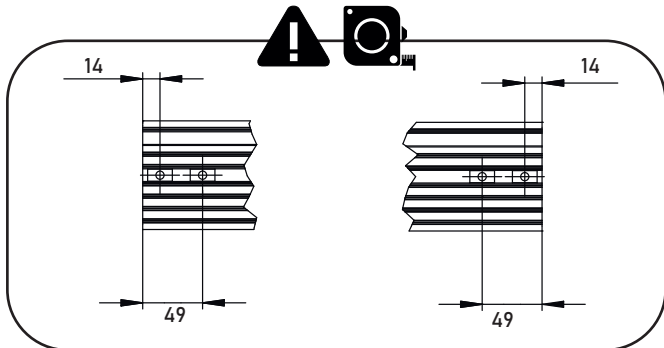
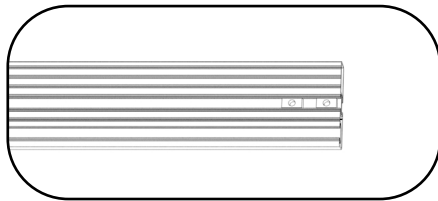
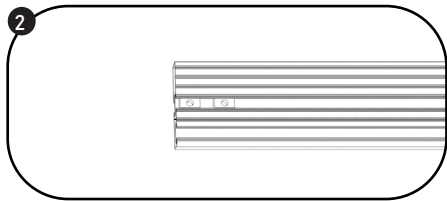
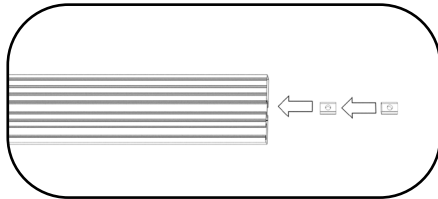
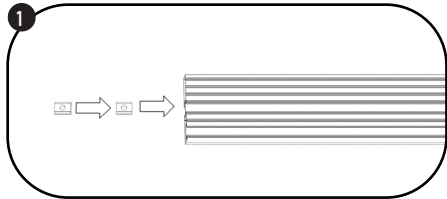
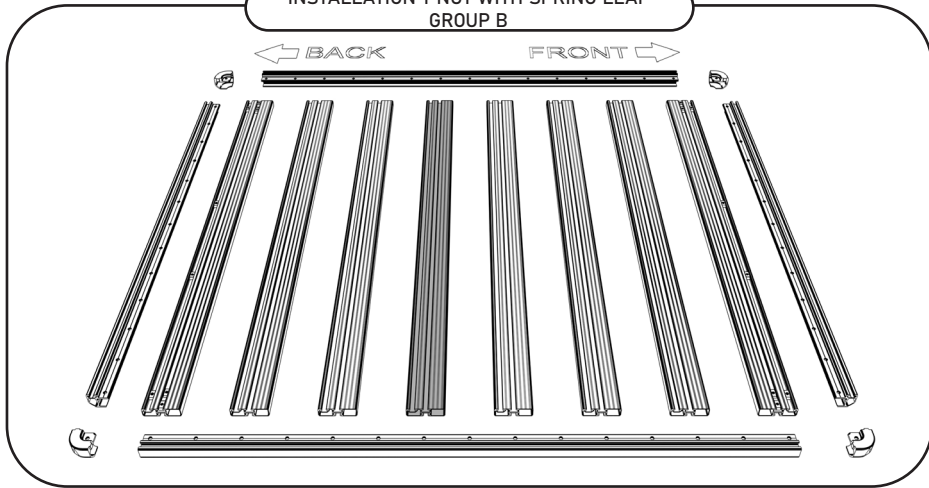


INSTALLATION T NUT WITH SPRING LEAF GROUP A

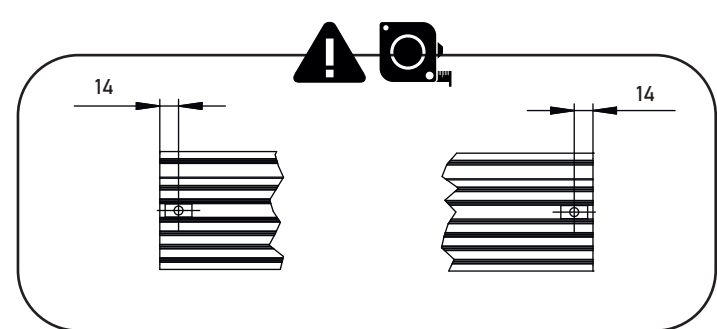
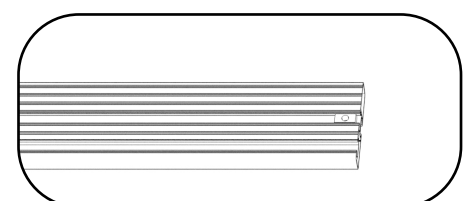
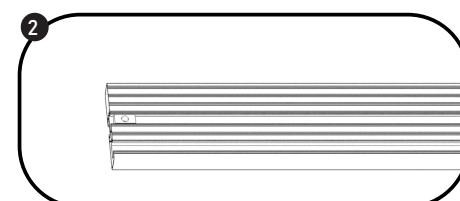
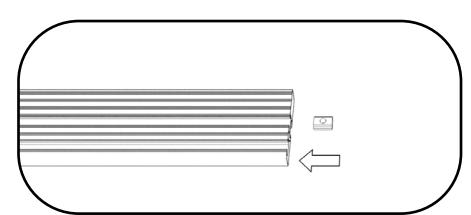
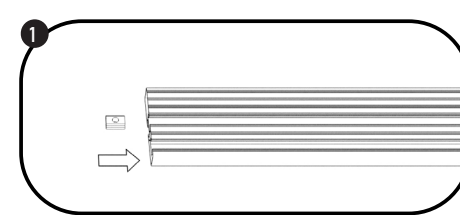
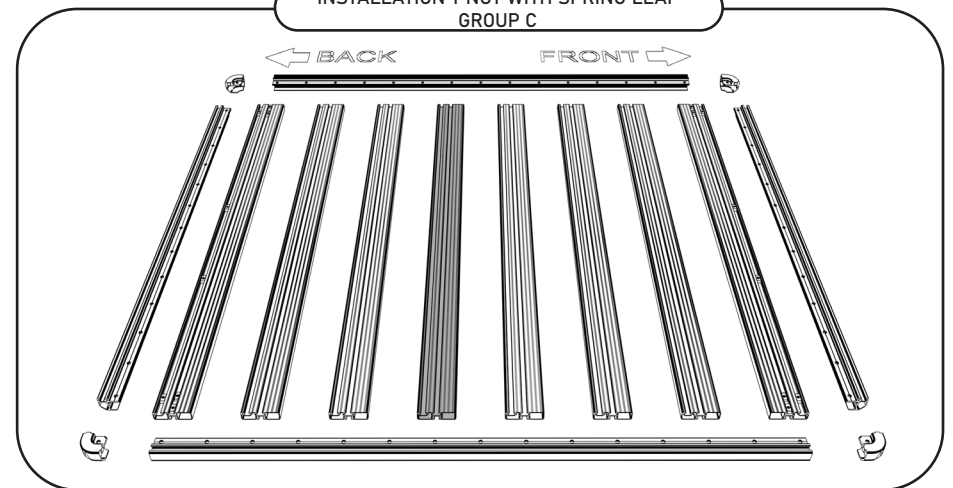




INSTALLATION T NUT WITH SPRING LEAF GROUP B

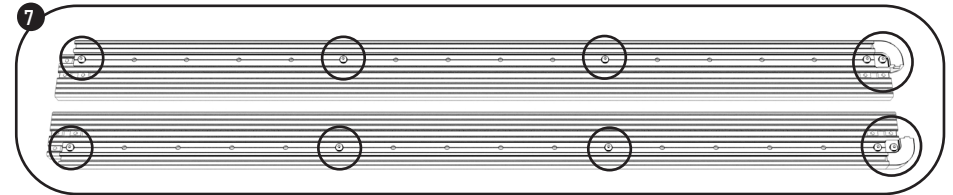
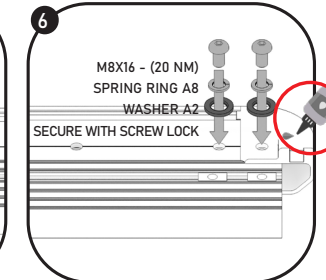
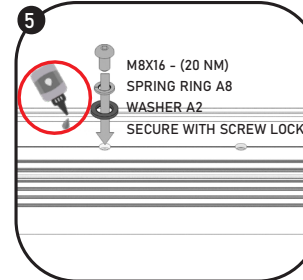
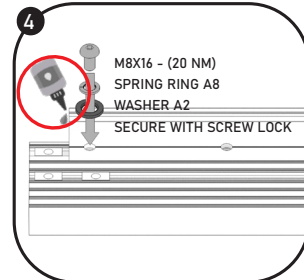
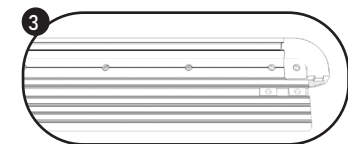
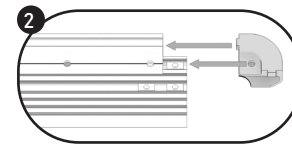
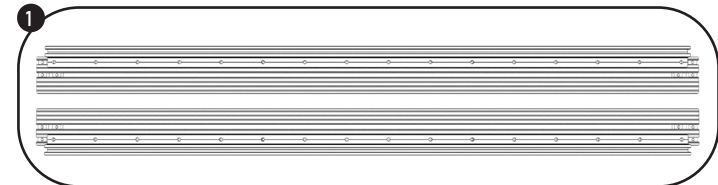
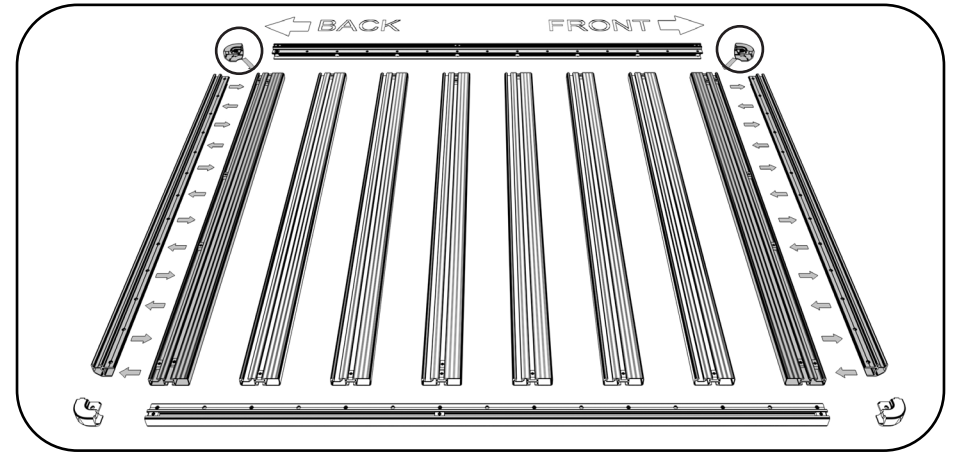
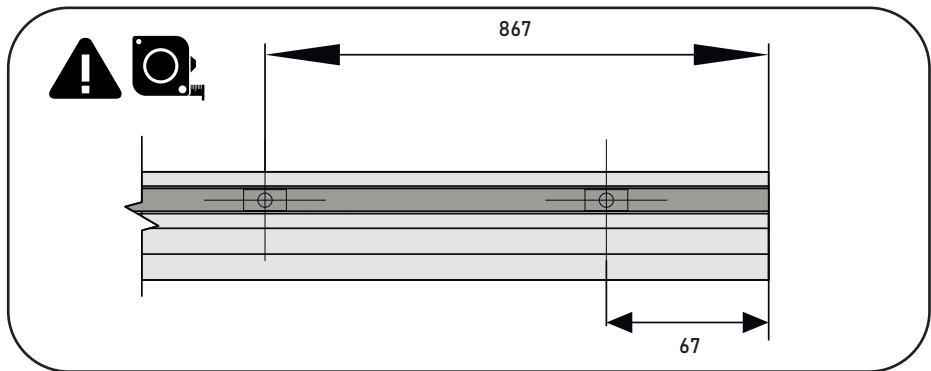
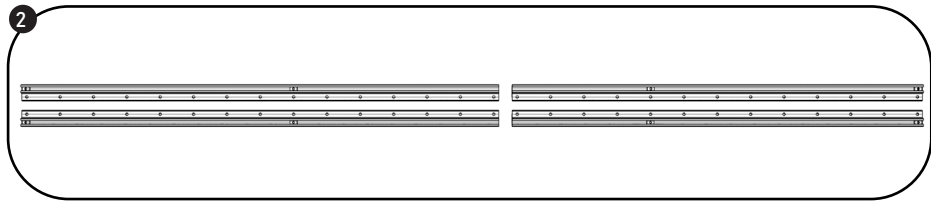
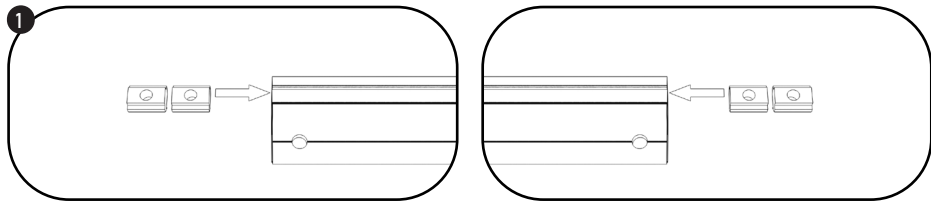
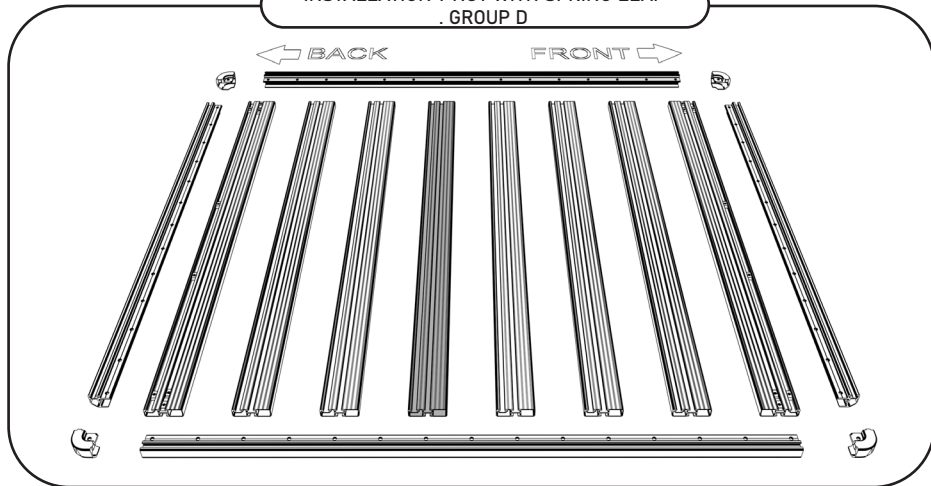


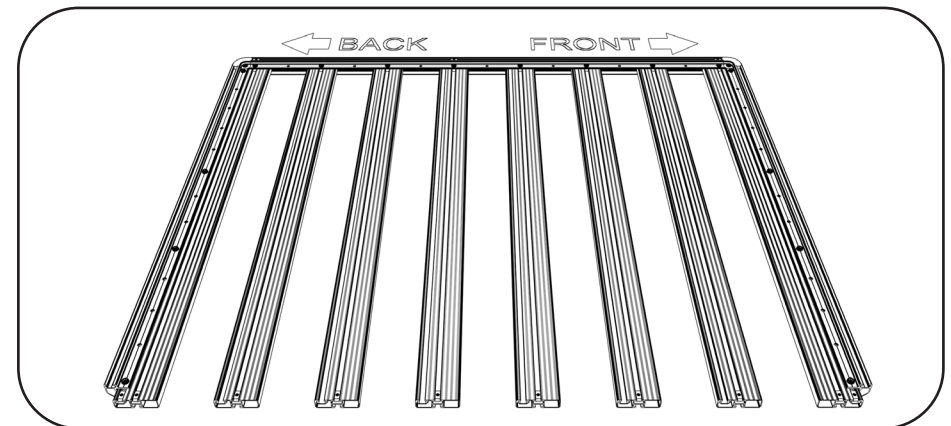
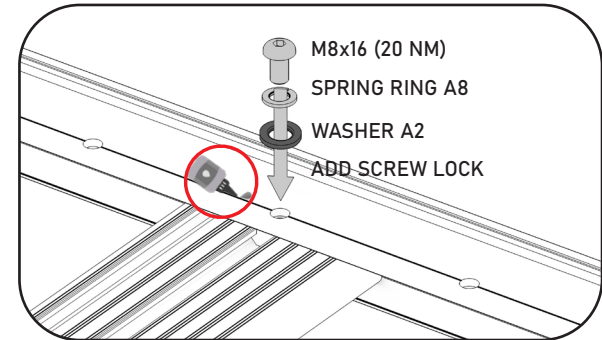
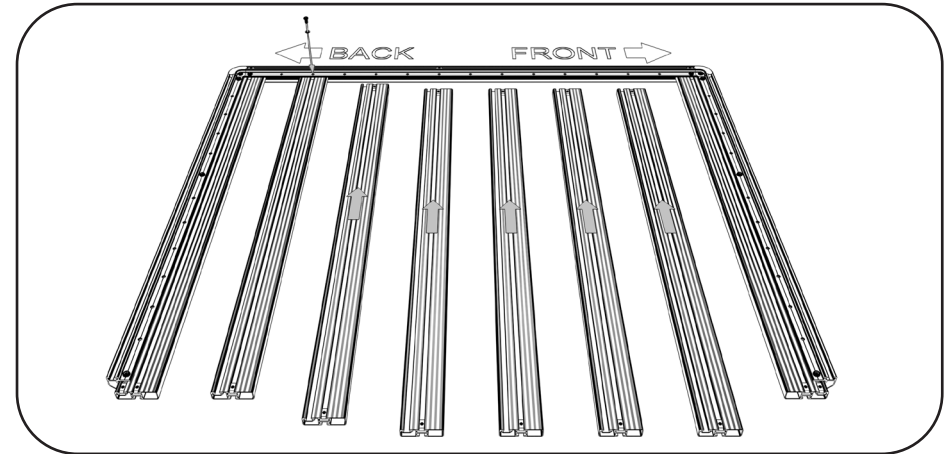
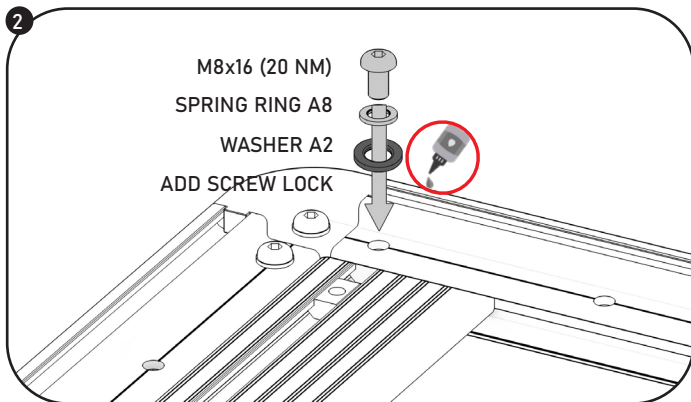
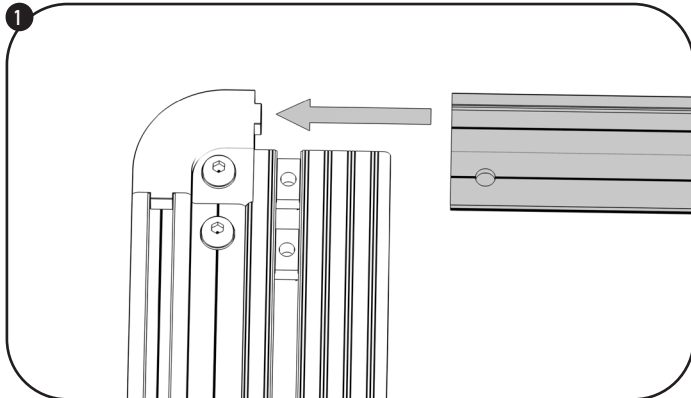
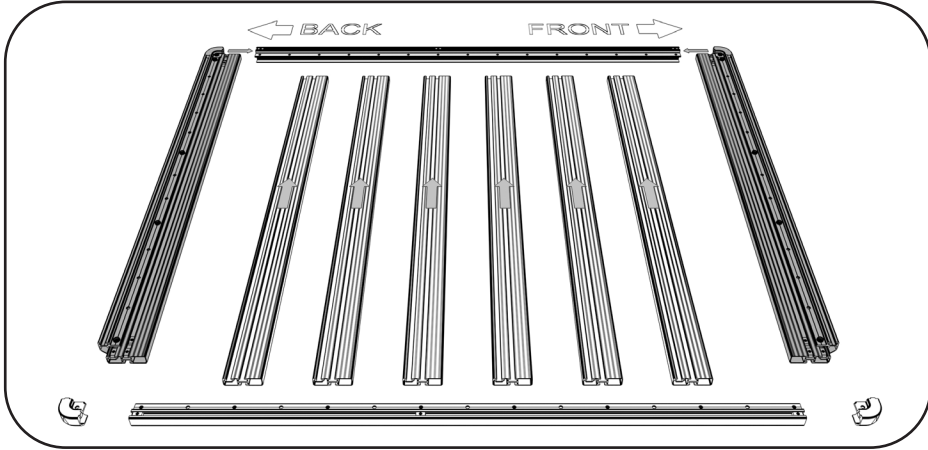
INSTALLATION T NUT WITH SPRING LEAF GROUP C

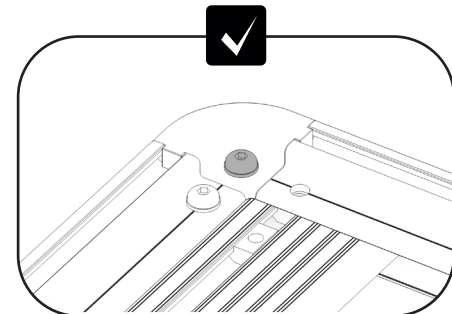
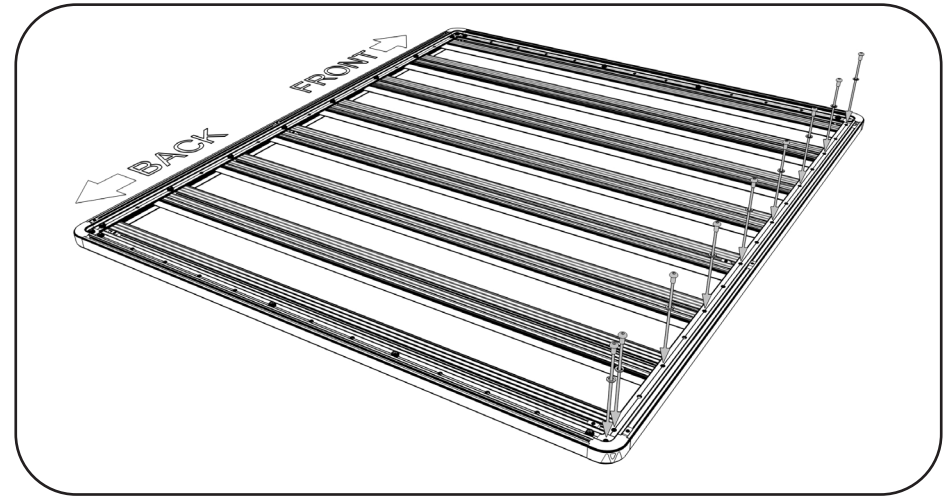
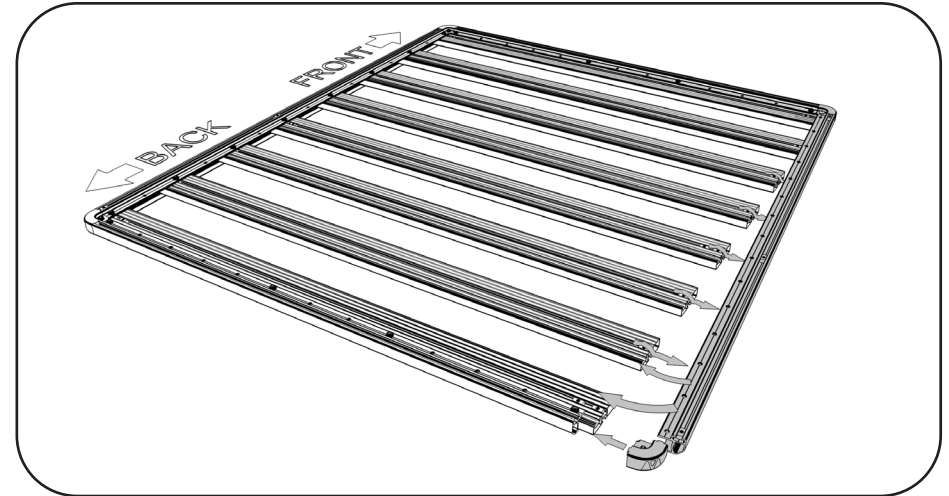
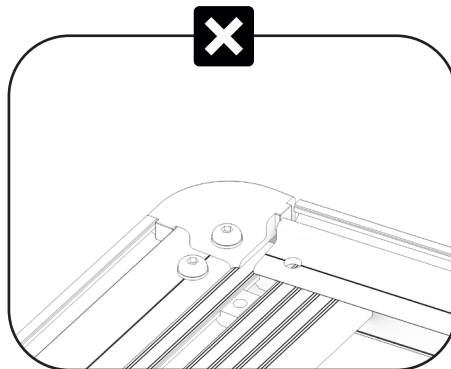
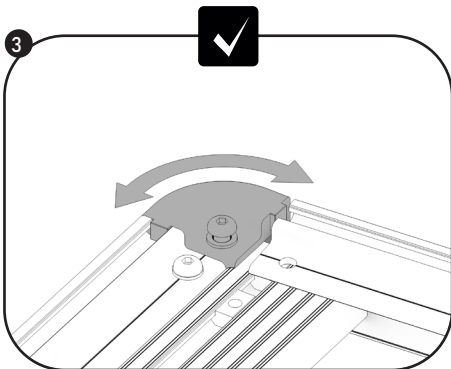
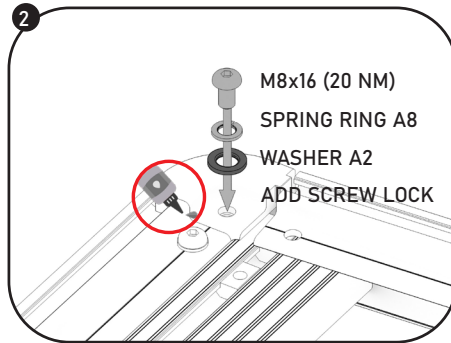
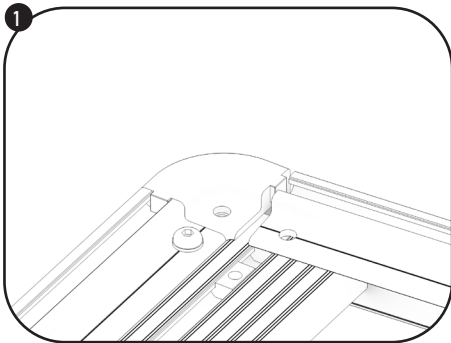
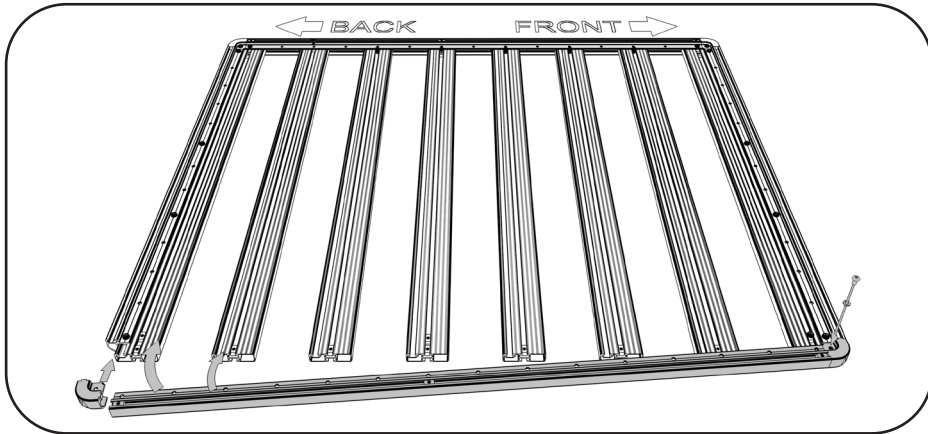


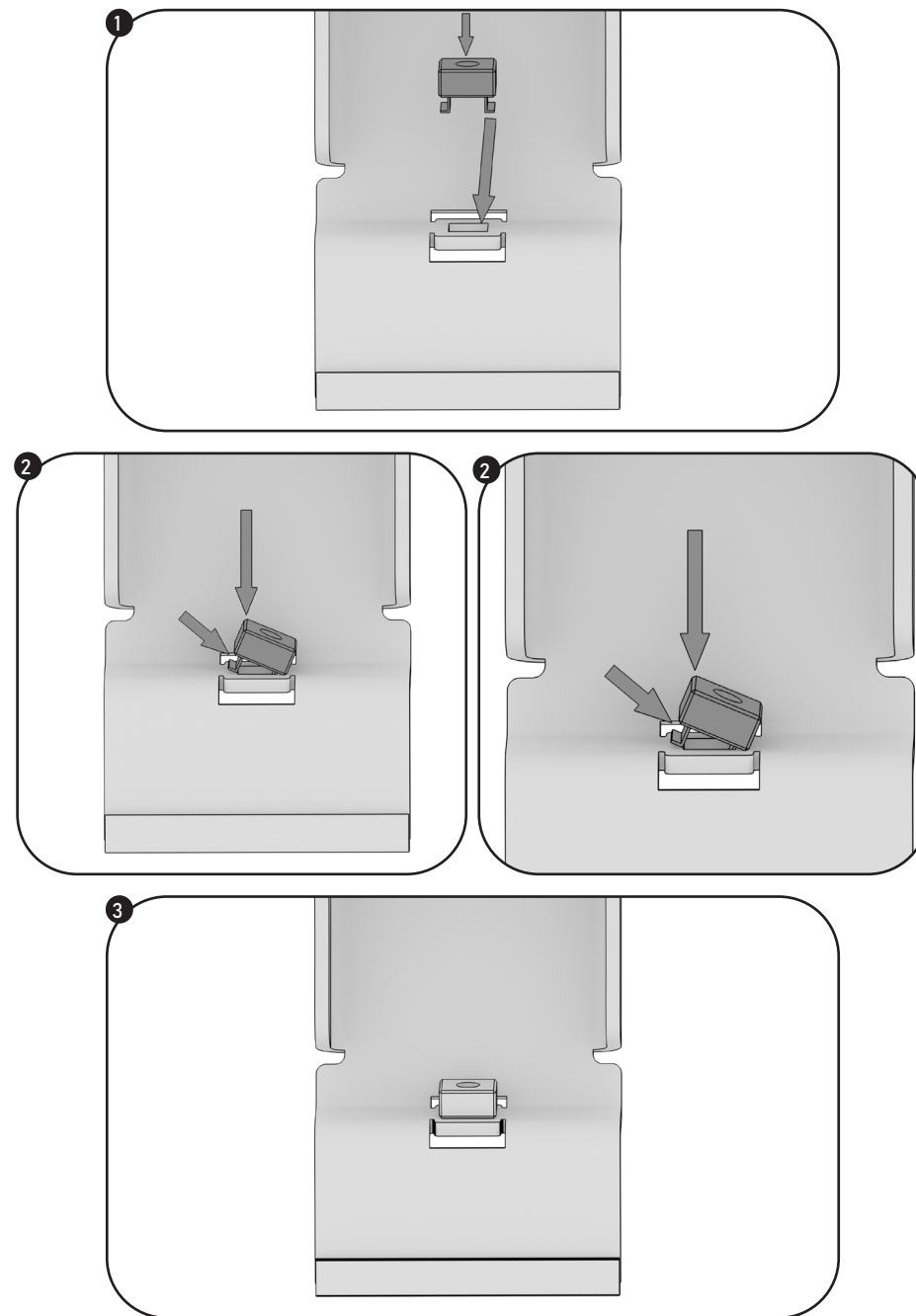
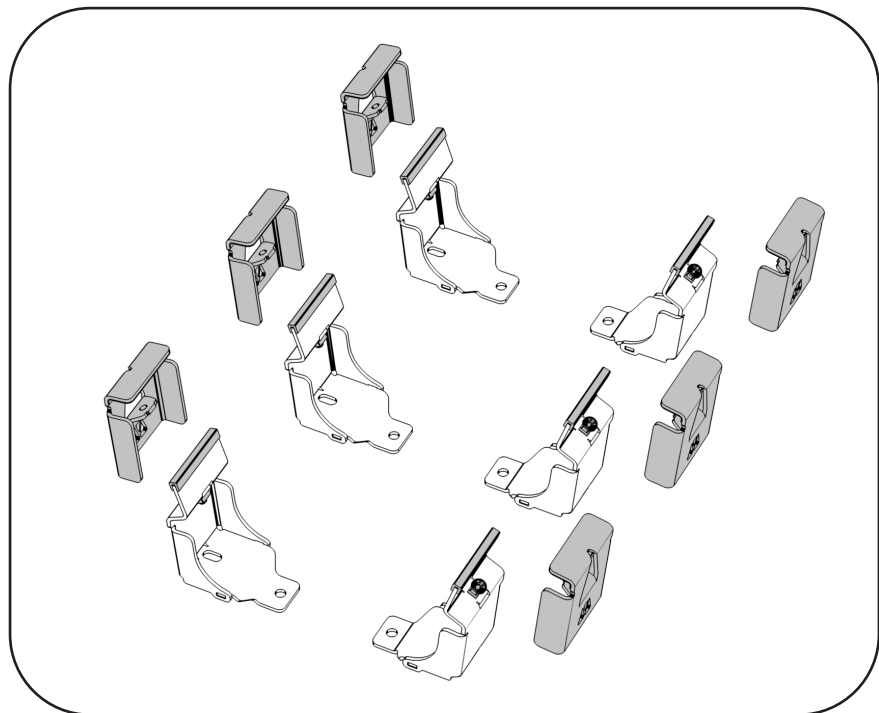
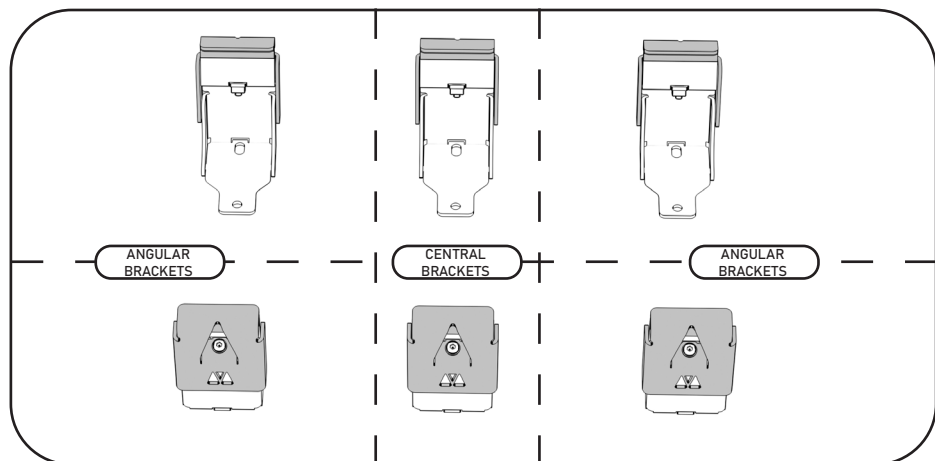


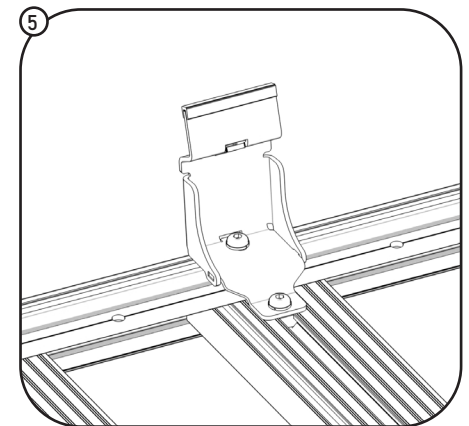
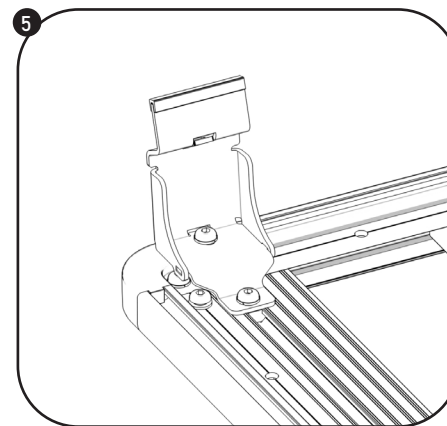
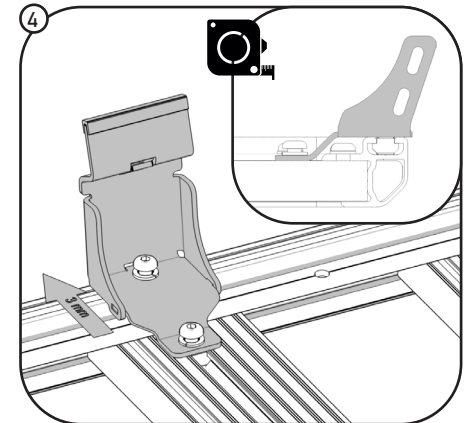
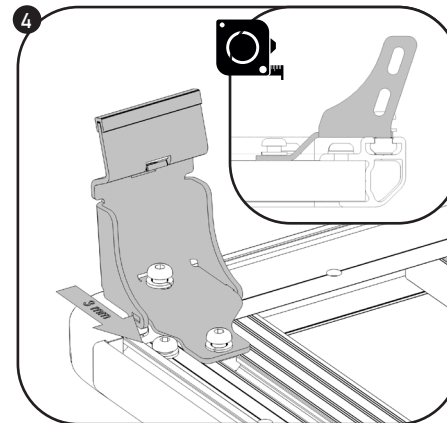
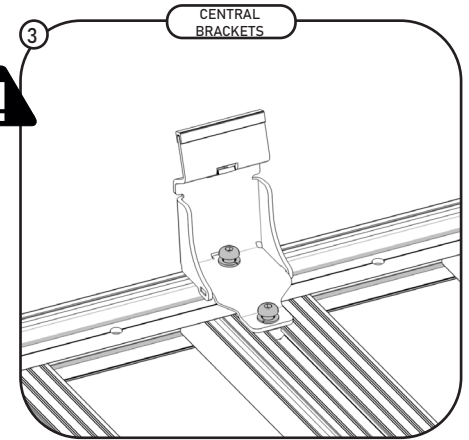
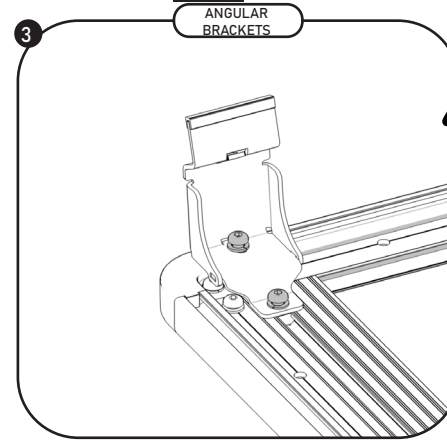
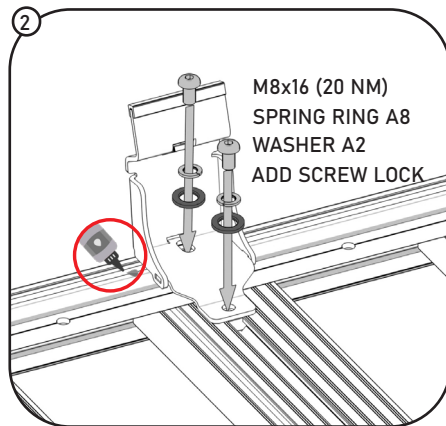
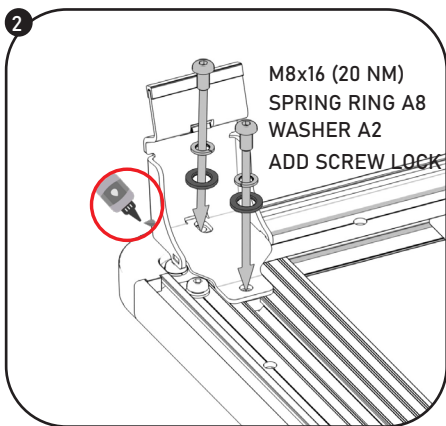
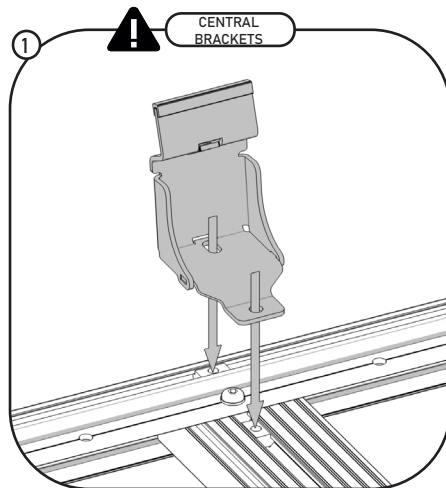
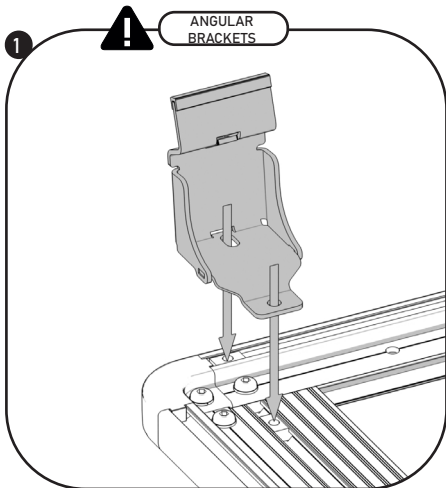
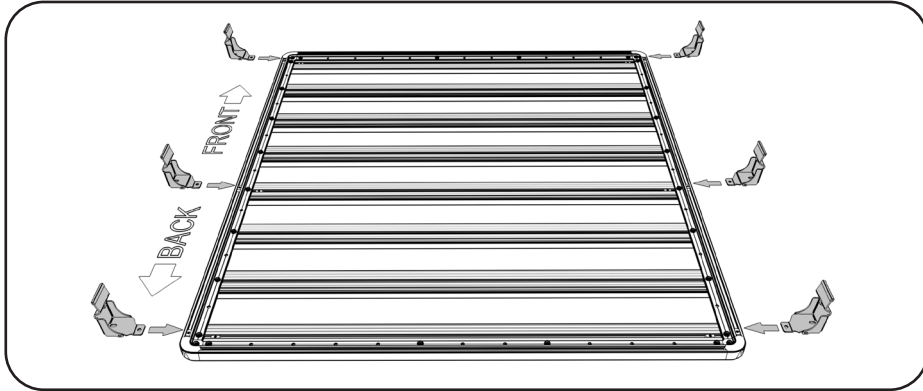
INSTALLATION T NUT WITH SPRING LEAF
GROUP D

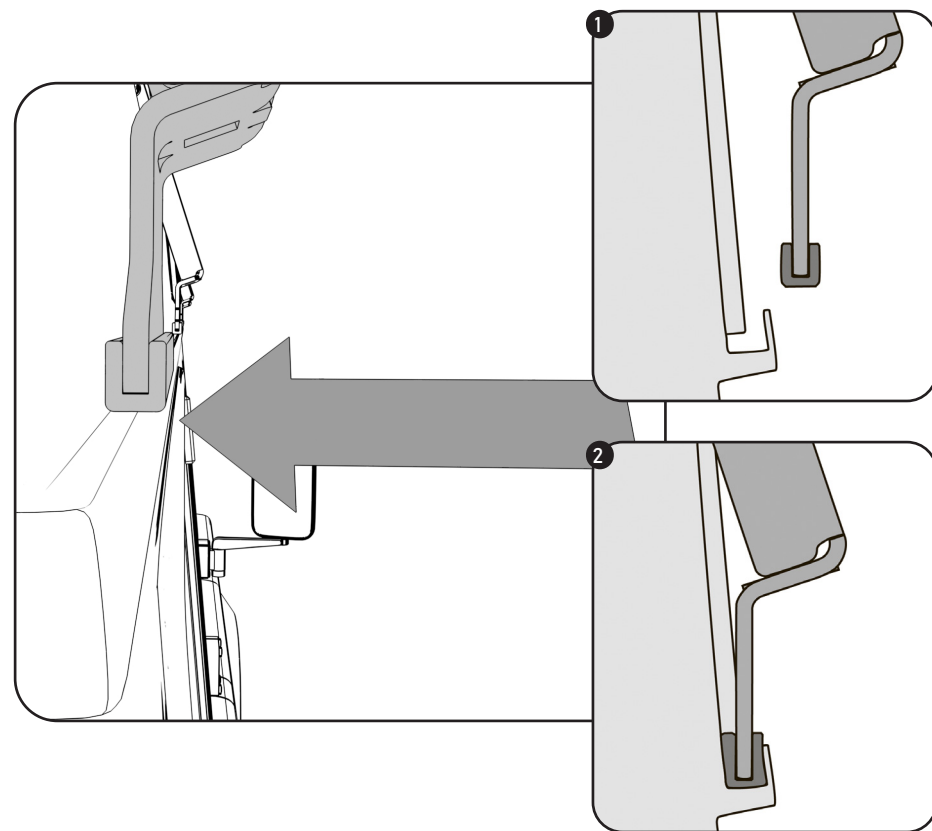
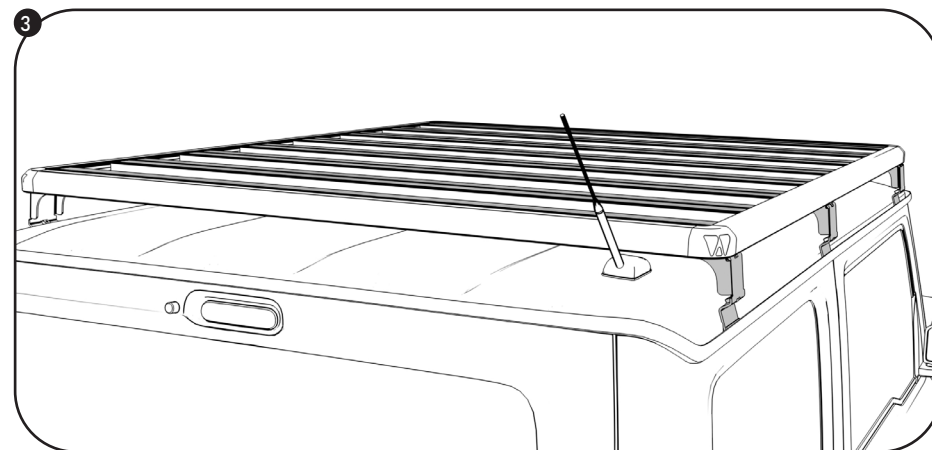
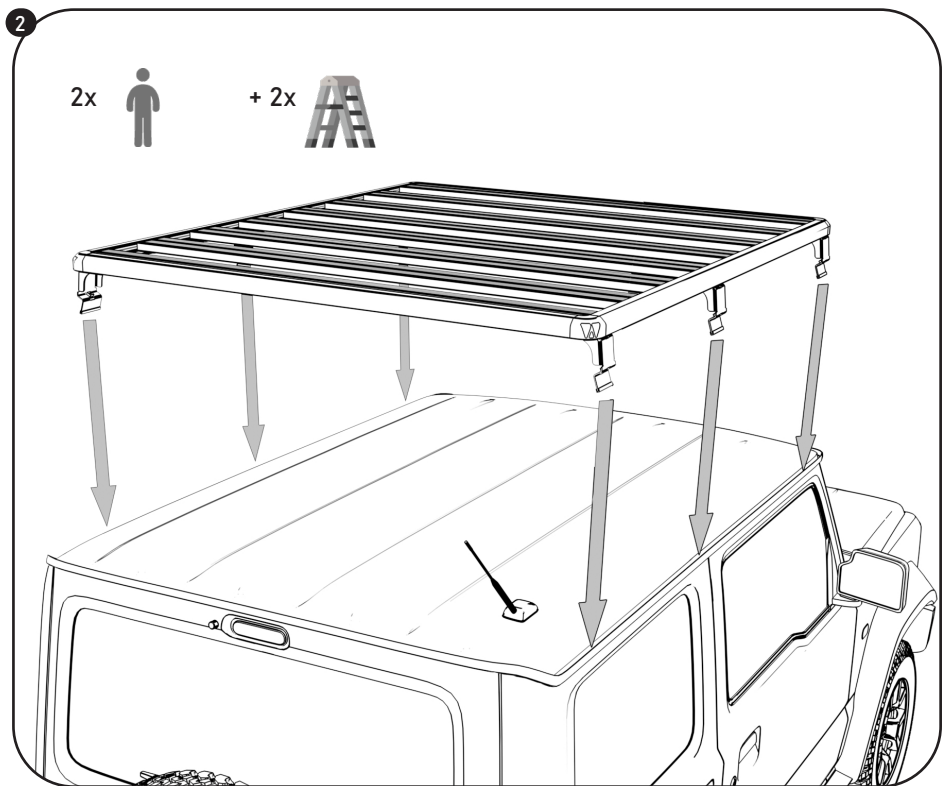
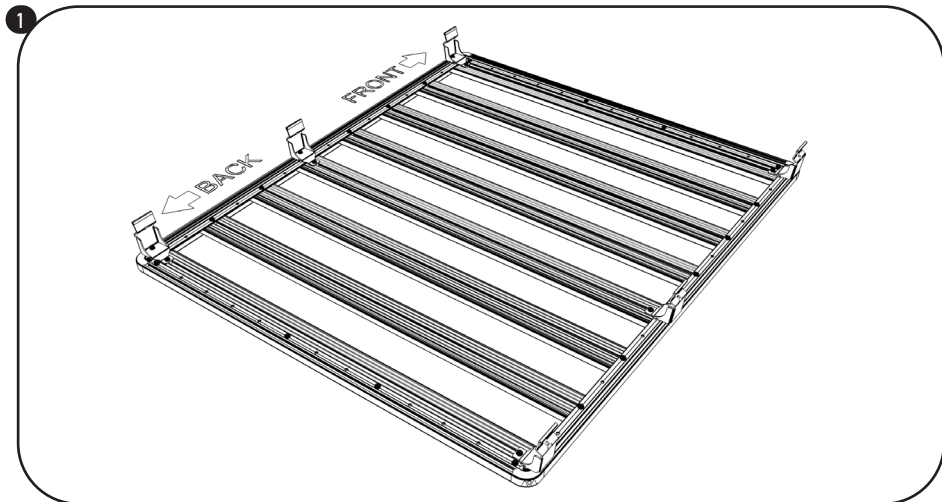


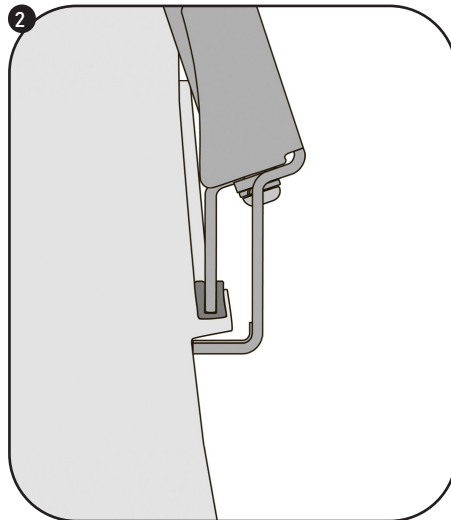
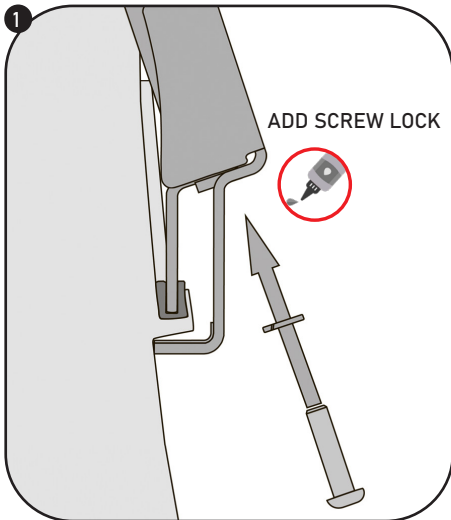
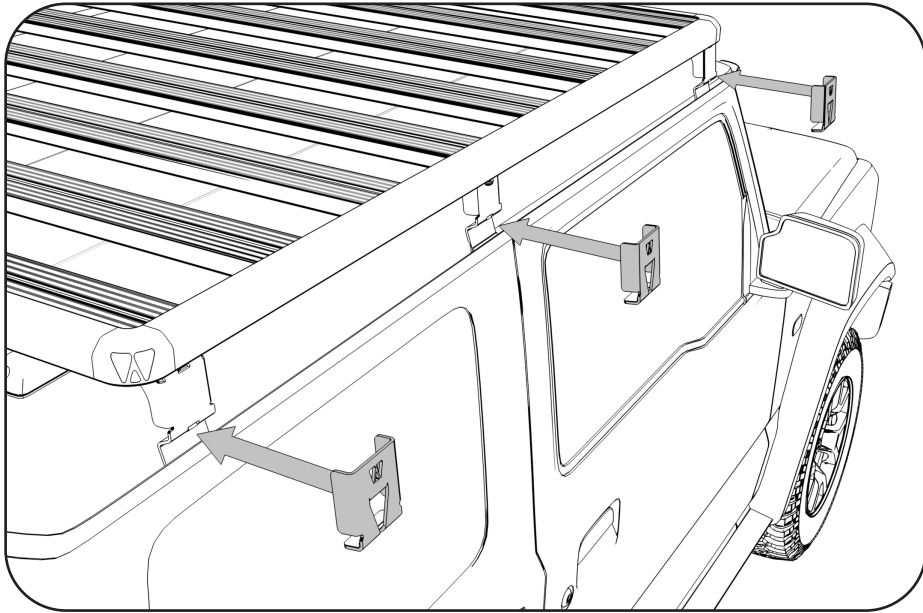




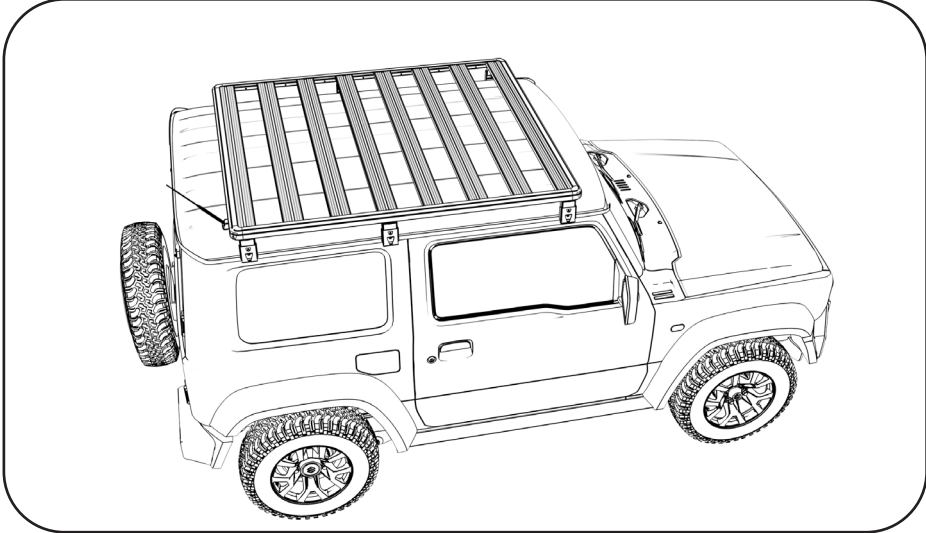








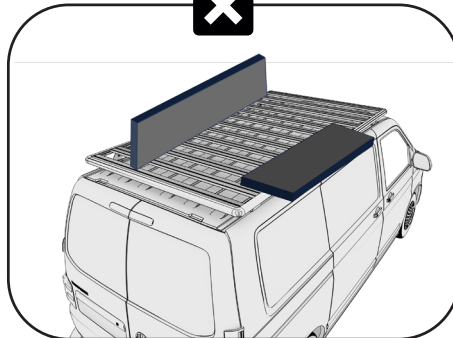
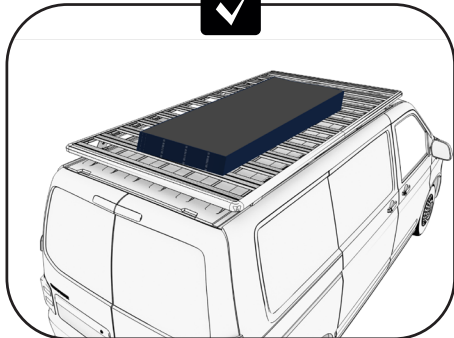
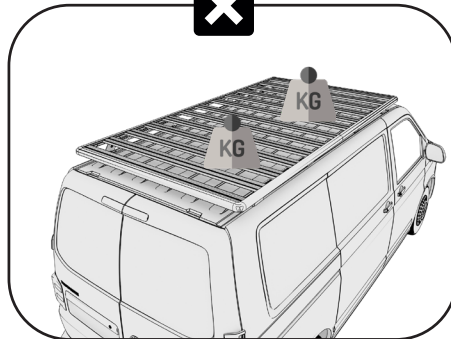
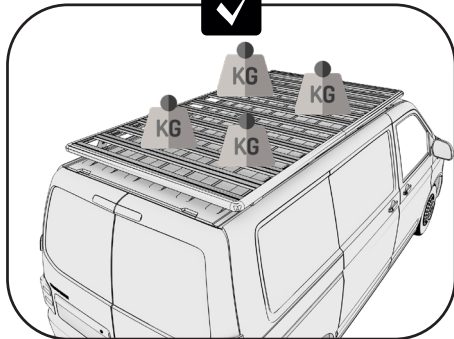
FINISHED



NOTES:

LOADING AND WEIGHT DISTRIBUTION

IN PRINCIPLE, THE ROOF LOAD OF THE VEHICLE MANUFACTURER APPLIES AND MUST NOT BE EXCEEDED (INCLUDING THE WEIGHT OF THE ROOF RACK 20,9 KG). IN OFFROAD USE THE MAXIMUM LOAD CAPACITY OF THE ROOF RACK IS REDUCED BY 50%. LOADING MUST NOT TAKE PLACE SELECTIVELY, BUT MUST BE DISTRIBUTED EVENLY ON THE ROOF RACK INSTEAD. NO ONE-SIDED LOADING. THIS CAN HAVE A HUGE IMPACT ON THE DRIVING AND BRAKING PROPERTIES OF THE VEHICLE. THE LOAD TO BE TRANSPORTED MUST BE SECURELY LASHED USING APPROVED TENSIONING DEVICES.



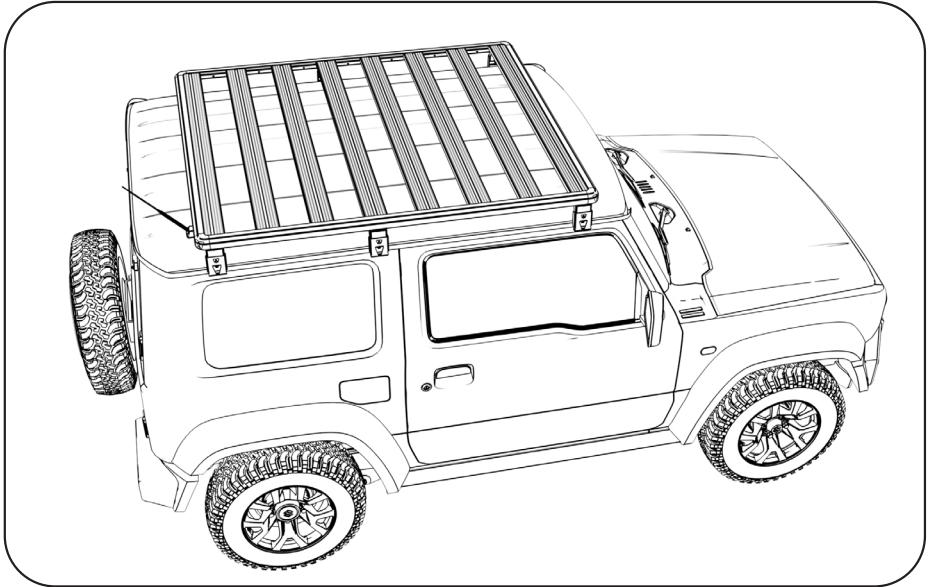
USAGE AND IMPORTANT INFORMATION

- BE AWARE OF THE CHANGED VEHICLE HEIGHT
- RECOMMENDED TOP SPEED WITH ROOF RACK:
WITHOUT ADDITIONAL LOAD: 100 KM/H
WITH ADDITIONAL LOAD: 80 KM/H
- DO NOT DRIVE THROUGH THE CAR WASH WITH YOUR ROOF RACK MOUNTED
- THE FUNCTION OF YOUR SLIDING ROOF MIGHT BE RESTRICTED; OPENING IT MIGHT LEAD TO ITS DESTRUCTION

CARE INSTRUCTIONS


THERE ARE A FEW SIMPLE AND EASY STEPS YOU WILL NEED TO TAKE CARE OF, IN ORDER TO MAINTAIN FULL FUNCTIONALITY OF YOUR VICKYWOOD ROOF RACK AND KEEP IT IN ITS CLEAN STATE:

- RINSE WITH CLEAN WATER AND WIPE IT OFF WITH A SOFT MICROFIBER CLOTH
- FOR MORE INTENSE DIRT YOU CAN USE A SOFT BRUSH AND SOME SOAP - DO NOT USE ANY AGGRESSIVE CHEMICAL CLEANERS
- DO NOT USE STEAM CLEANER OR HIGH PRESSURE CLEANER
- DURING WINTER MAKE SURE TO RINSE OF ROAD SALT AS SOON AS POSSIBLE AS WELL AS IN COASTAL REGIONS WITH SALTY AIR



MORE INFORMATION ABOUT VICKYWOOD ROOF TENTS & CAMPING EQUIPMENT

 [VICKYWOOD.COM](https://www.vickywood.com)

 [@VICKYWOOD_CAMP](https://www.instagram.com/vickywood_camp)

JOIN OUR COMMUNITY ON FACEBOOK:

 [VICKYWOODIES](#) | [DIE DACHZELT-COMMUNITY](#)

SHOW US YOUR TRAVELS
#ROOFRACKBYVICKYWOOD

VW-RR-MM-SJ-18



4260357368819