



INSTRUCTION

Kids Wagon SPROUT Buggy Evolve



Equipment

- **IMPORTANT!** Please remove all parts from the package and identify them before assembly.
- **IMPORTANT!** Before assembly and each use, inspect this product for damaged hardware, loose joints, missing parts, or sharp edges. NEVER use if any parts are missing or broken. Contact manufacturer for replacement parts and instructions if needed. Never substitute parts. **IMPORTANT!** Adult assembly is required.



REAR WHEEL (X2)



FRONT WHEEL (X2) LOCK & SWIVEL



CANOPY



REAR WHEEL AXLE

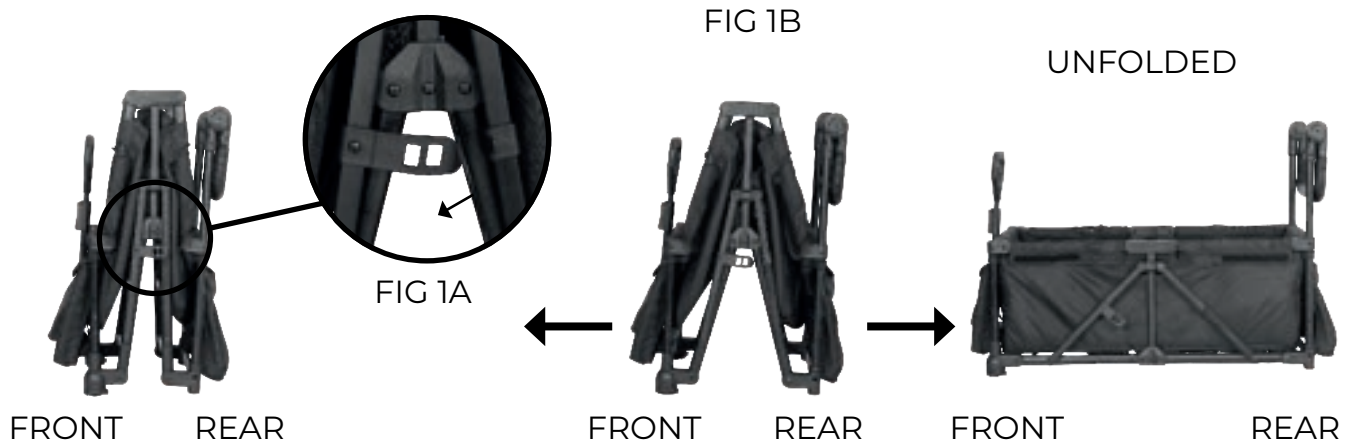


WAGON FRAME

1. PREPARING WAGON

- Unfolding wagon: Unlatch wagon by pulling latch away from latch post (Fig. 1A).
- After latch is cleared, allow the wagon to unfold out, or manually pull the wagon apart (Fig. 1B)

*Frame shown without fabric



Assembly

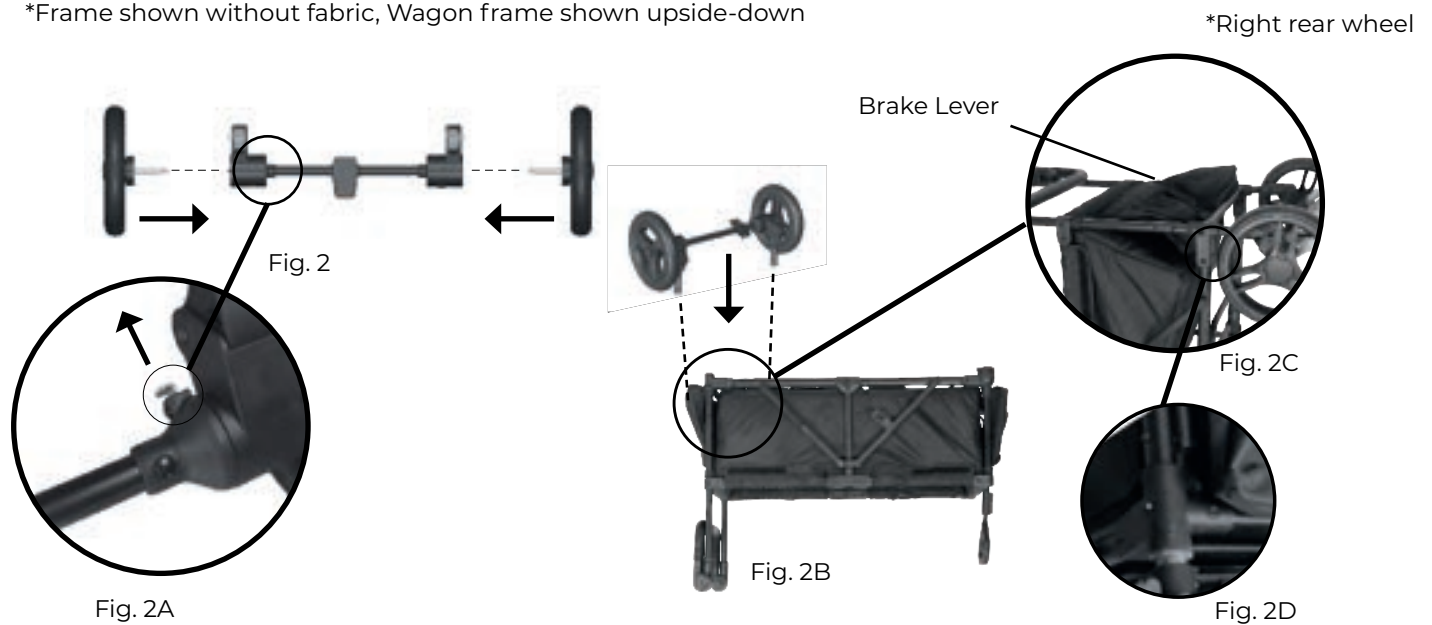
2. ATTACHING & REMOVING REAR WHEELS

- To attach rear wheels to axle: Push each rear wheel into the axle housing until they “CLICK” into a locked position (Fig. 2).
- Pull outward on wheel to ensure that the wheel is securely locked.
- To release rear wheels from axle: While pressing the release button located on the back of the wheel housing, remove wheel by pulling away from housing (Fig. 2A)

3. ATTACHING & REMOVING REAR WHEEL AXLE

- To attach rear wheel axle: Align axle with frame as shown and push in until both release pins “CLICK” (Fig. 2B).
- NOTE: Make sure brake is closest to right rear wheel.
- | To detach rear wheel axle: Press in release pins on both sides of axle, and pull away from wagon frame (Fig. 2D).

*Frame shown without fabric, Wagon frame shown upside-down

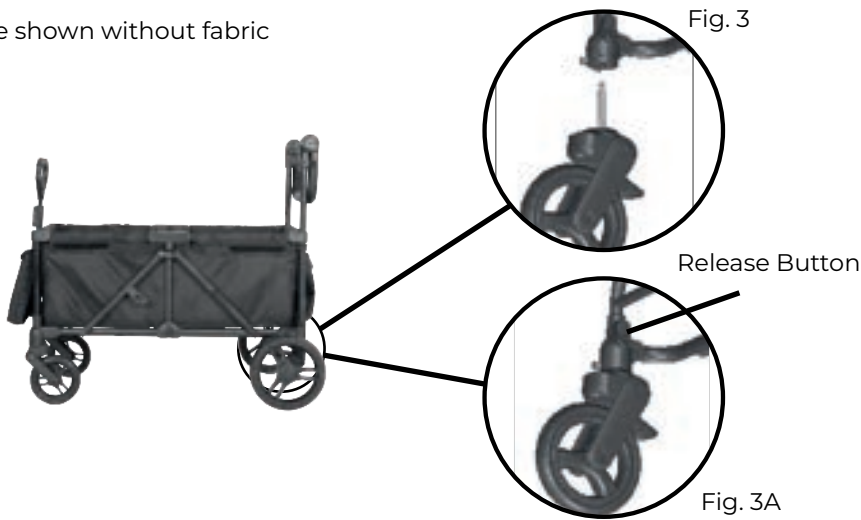


4. ATTACHING & REMOVING FRONT WHEEL

Note: Before attaching wheels, make sure the wagon is in a fully open position.

- To attach front wheel: Push front wheel post into the front wheel housing until it “CLICKS” into a fully locked position (Fig. 3).
- Note: Pull downward on wheel to ensure that the wheel is securely locked.
- To release front wheel: Press the release button located on the side of the wheel housing and pull down on wheel to release (Fig. 3A).

*Frame shown without fabric



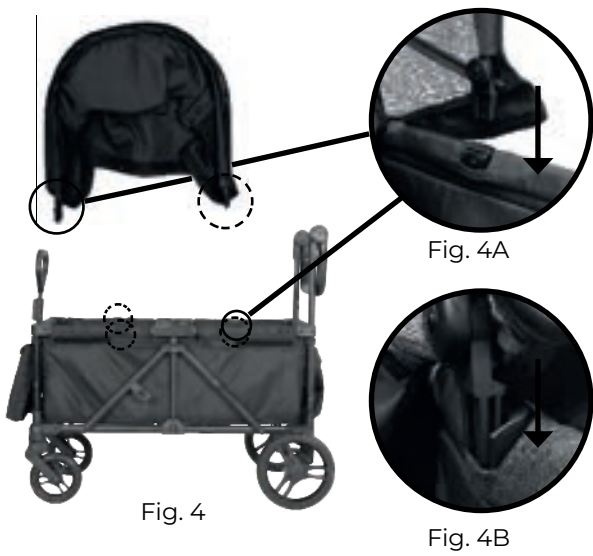
***ASSEMBLED**



Assembly

5. ATTACHING THE CANOPY

- To attach canopy: Align each of the 2 (per canopy) canopy rods with their corresponding posts. Make sure the large velcro flap faces the short side of the wagon (Front/Back). (Fig. 4B).
- Firmly insert each rod into its housing. (Fig. 4A).
- See (Fig. 4B) for detailed view of canopy post insertion. Repeat on opposite side. (Fig. 4C).
- Once canopy rods firmly in place, fold down and attach velcro flaps to attachment strips on wagon. Repeat on both sides of canopy
- Fold down long velcro flap on back/front an attach to wagon (Fig. 4D.)
- If both canopies are desired, repeat on other canopy.



REMOVING THE CANOPY

- To remove canopy: Pull up on each rod until it clears the wagon frame. Canopy can be removed in up or down position (Fig. 4E.)
- Canopy can be stored in front storage pocket (Fig. 4F)

***Child Tray sold separately**

- Pull up to release
- Repeat on both sides of canopy

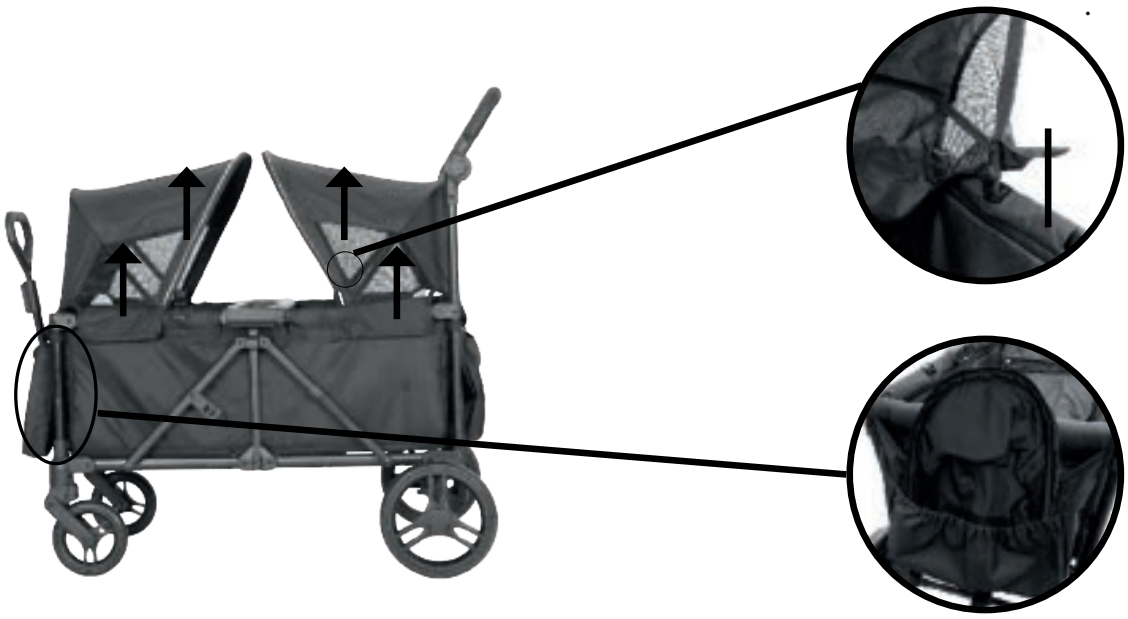


Fig. 4F

Set Up

WARNING: Always lock brakes when the wagon is not being pushed so that the wagon will not roll away. Never leave wagon unattended on a hill or incline as the wagon may slide down the hill.

WARNING: NEVER leave children unattended in wagon.

1. REAR WHEEL BRAKE LOCK

- To engage brakes: Apply light downward pressure to the FRONT of the brake lever located on the axle. (Fig. 2).
- Check to make sure the brakes are in a fully locked position, making sure stroller will not move when pushed.
- To release brakes: Apply light downward pressure to the BACK of the brake lever (Fig. 2A).



2. CLEARING WAGON OVER SIDEWALKS AND CURBS

- To clear wagon over sidewalks and curbs: Lift wheels using the REAR handlebars and PULL over the sidewalk or curb from a backwards position (Fig. 3).

WARNING: Please do not attempt to push down on rear handlebars to lift front wheels.



ADJUSTING HANDLEBARS

- To adjust handle: Press BOTH buttons (located on the inside of both sides of the handle bar) (Fig. 4).
- With both buttons pressed, rotate the handle up or down to desired position (Fig. 4A).
- The buttons will “CLICK” on both sides once it is in a fully locked position.
- Confirm both buttons are depressed and handlebars are in a locked position before use.



Fig. 4

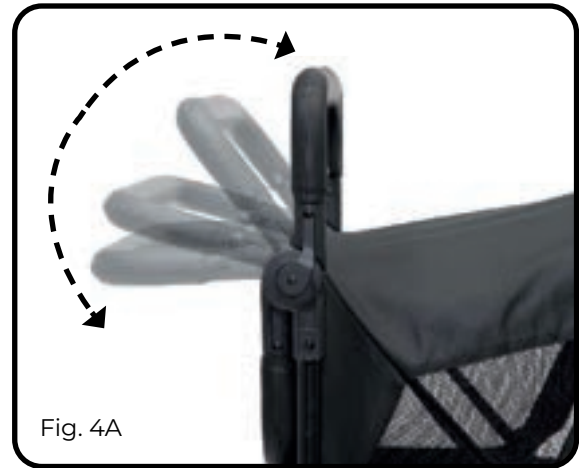


Fig. 4A

FOLDING WAGON FOR STORAGE

NOTE: Stroller wagon can be folded with or without the canopies installed.

- To fold with canopies installed, fold both canopies all the way down (Fig. 7) and proceed to step 8 below.
- If canopies are installed: Uninstall by pulling up on each rod until it clears the wagon frame (Fig. 7A).
- Note: Folded canopy can be optionally stored in front storage compartment (Fig. 7C).

***Child Tray sold separately**

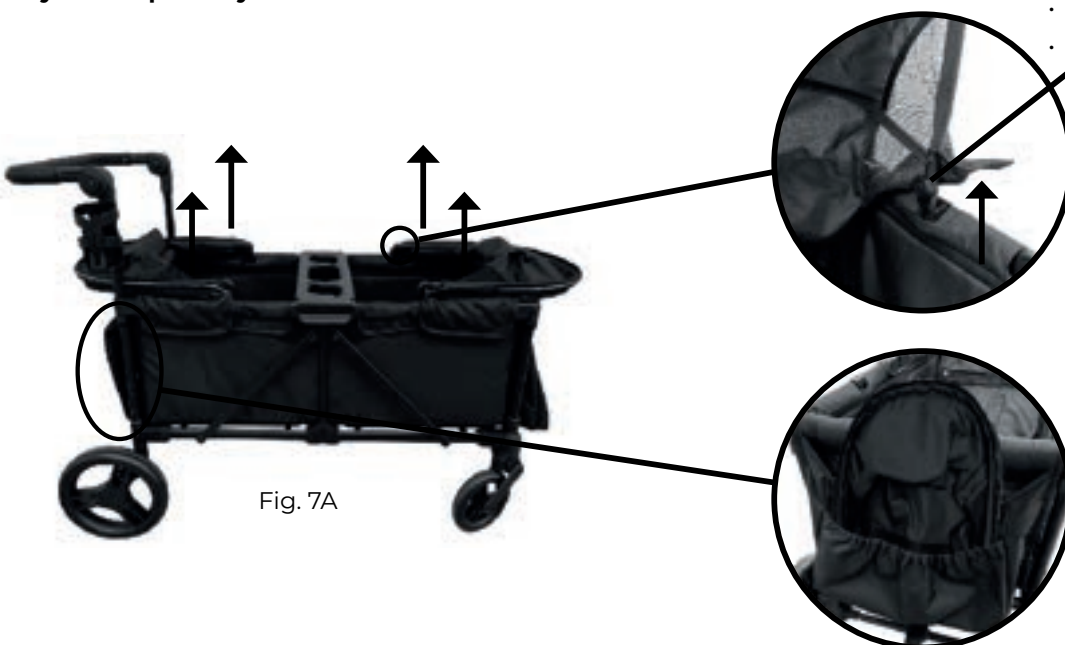


Fig. 7A

Fig. 7B

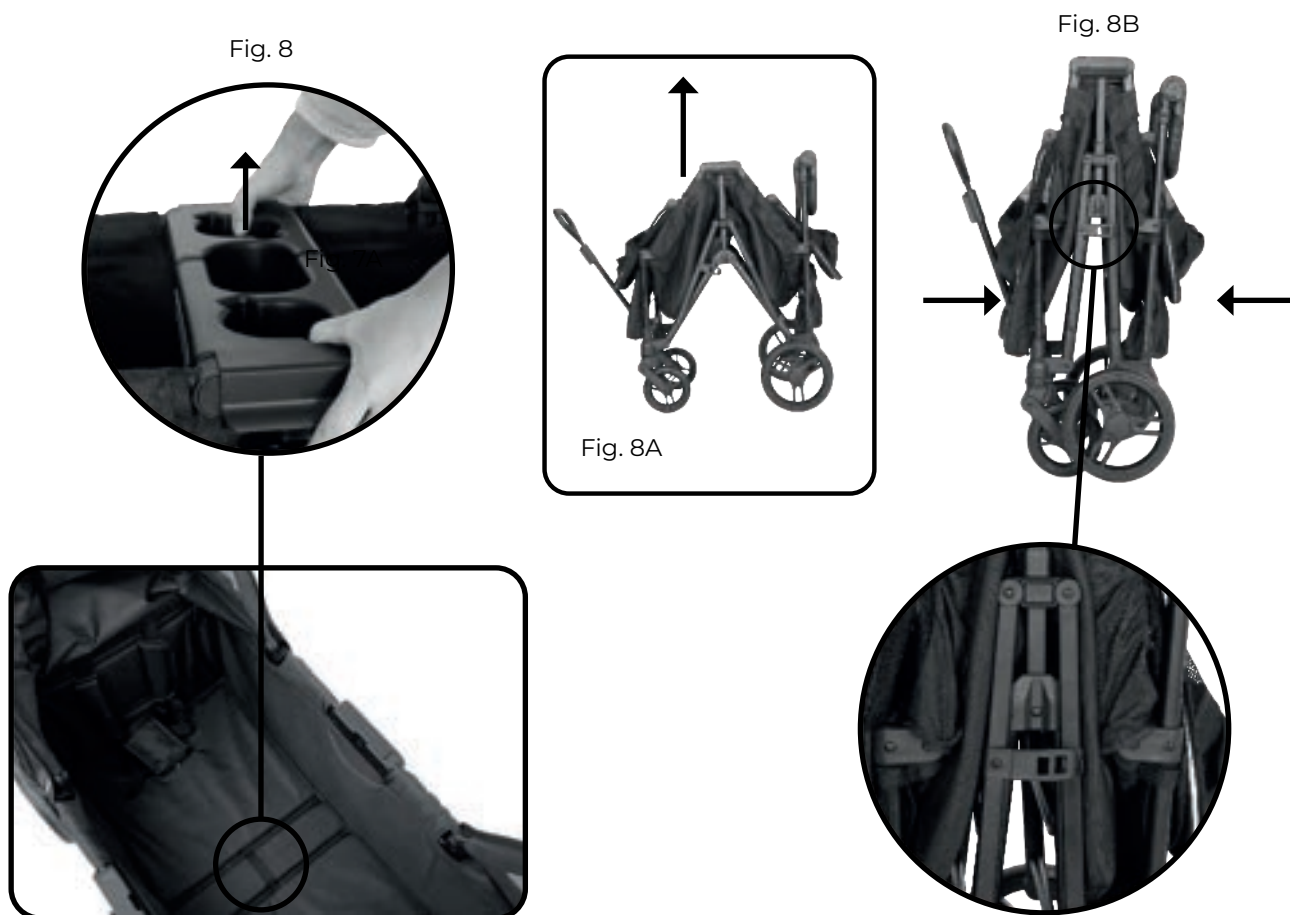
Fig. 7C

- Pull up to release.
- Repeat on both sides of canopy.

Set Up

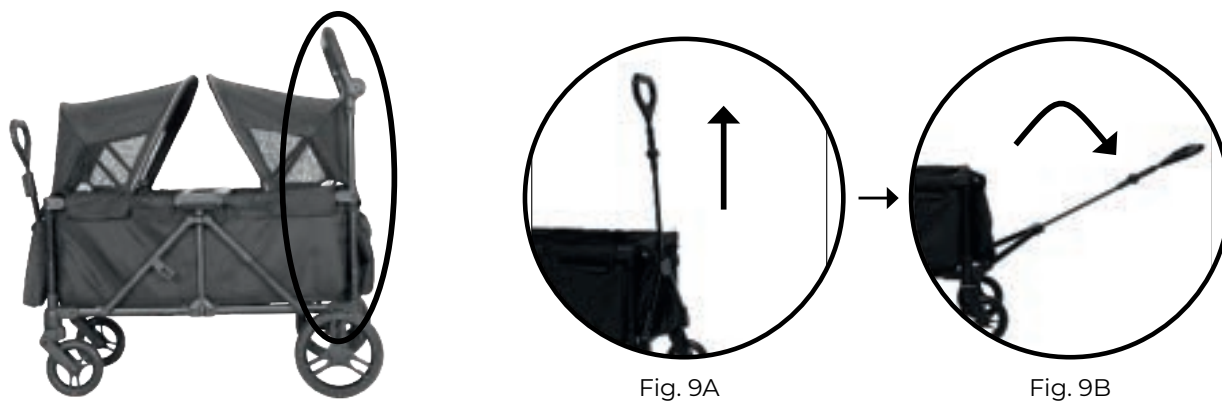
FOLDING THE FRAME FOR STORAGE NOTE:

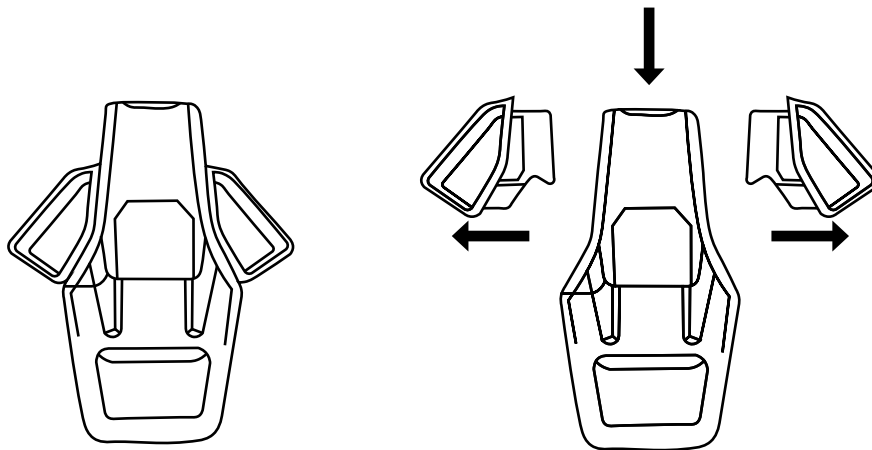
- To fold wagon frame: Press and hold the buttons on both sides.(Fig. 8) and pull upward until wagon frame begins to fold (Fig. 8A).
- To finish the fold, apply pressure inwards until wagon is fully closed and auto latch “CLICKS” (Fig. 8B).
- Pull outwards on wagon to confirm latch is secured



THE PULL HANDLE

- To unlock the pull handle (located on the front of the wagon) pull up on the handle (Fig. 9A) and then bring forward (Fig. 9B). To fold it away, follow these steps in reverse.





- Place your child in the stroller. Position the crotch belt between your child's legs.
- Pull shoulder straps over child's arm
- Fasten both waist belts to the buckle on each side of the crotch belt. Make sure you hear a "click" on both sides.
- Check to be sure the restraint system is securely attached by pulling it away from your child. The restraint system should remain attached.
- Press and hold the top gray button to unlock.

Safety Instruction

WARNING: Please follow all of these instructions to ensure the safety of your child. Keep these instructions for future reference.

WARNING: Failure to follow these instructions could result in serious injury or death.

WARNING: Avoid serious injury from falling or sliding out. Always ensure that the child is properly positioned by using the safety harness according to these instructions.

WARNING: Never leave children unattended.

WARNING: INJURY HAZARD! Do not use the shade flaps during high wind conditions. Product may become unstable and tip-over causing injury to occupants.

CAUTION: This is a double occupant stroller wagon for two children only. The use of more than two children may cause an unstable condition which can injure your child. Do not place parcels, diaper bags or accessory items on sides of wagon or handles as this can cause an unstable condition.

- The maximum weight that can be carried in rear & front storage bag is 6 pounds (2.7kg) each.
- The maximum weight that can be carried in the wagon is 100 lbs (44 kg) combined. Any additional weight will cause a hazardous unstable condition.
- Use of the wagon with children weighing more than 50 lbs (22 kg) or over 42 inches (106.7 cm) tall, may cause a hazardous unstable condition to the wagon.
- **ALWAYS** lift wagon from handlebar when going over curbs.
- **ALWAYS** lock brakes when adding and removing children from wagon, or when parked.
- **NEVER** allow children to play with this product.
- **NEVER** allow children to play in or around the wagon. This wagon is not a toy.
- **NEVER** use the wagon on stairways, escalators, or moving walkways.
- **NEVER** use the wagon in conjunction with bicycles, skateboards, roller skates, or in-line skates.
- **NEVER** use on unstable or uneven terrain.
- **NEVER** put child inside wagon when using wagon as storage for other items.
- **NEVER** use near open flames or other source of heat.
- **NEVER** sit on top rail or canopy, doing so may cause a hazardous unstable condition.
- **NEVER** install mattresses or similar items for use in wagon. Doing so may cause a hazardous unstable condition.
- **NEVER** allow children to stand up or place arms and legs outside of wagon while moving.
- **NEVER** leave wagon on sloped surface even if brakes are engaged.
- We recommend that the child occupant needs to be 6 months of age, at the minimum, before use of the wagon.

- To clean the wagon use a mild household soap with warm water on a sponge or clean cloth.
- Check your wagon for loose screws, worn parts, torn material or stitching on a regular basis. Replace or repair parts as needed.

- Fabric parts may be cleaned in accordance with the fabric care labels. Do not machine wash.
Seat: Sponge clean only.
- Canopy: Hand wash only.
- If the stroller chassis parts have been exposed to salt water, we recommend that they be rinsed down with fresh (soap) water as soon as possible.
- Do not fold or store the product when it is wet, and do not store it in a humid environment, as this will cause the product to mold.

VICKYWOOD

WWW.VICKYWOOD.COM

Herausgeber

Winch Industry
GmbH
86368 Gersthofen
+49 821 567 330 40
info@vickywood.com

VICKY VILLAGE

VICKYWOOD.COM/showroom
VICKYWOOD.COM
facebook.com/vickywood.de
@vickywood_camp
#VICKYWOOD

VICKYWOOD

ist eine eingetragene
Marke der Firma
Winch Industry GmbH.
VICKYWOOD is a
registered trademark
of Winch Industry GmbH.